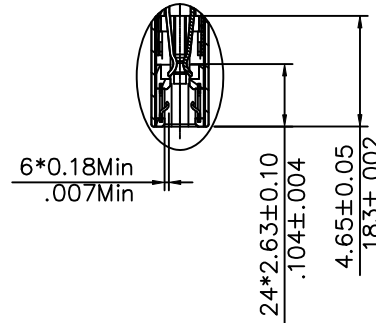
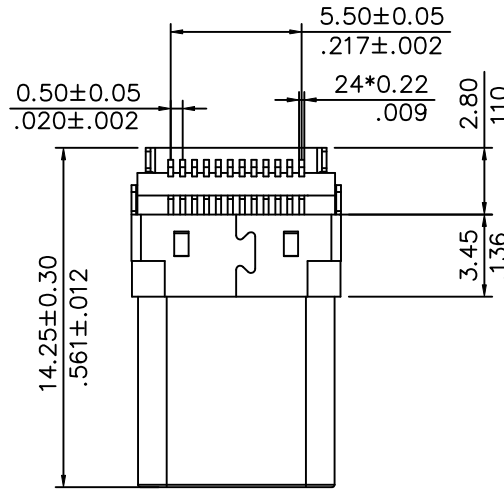
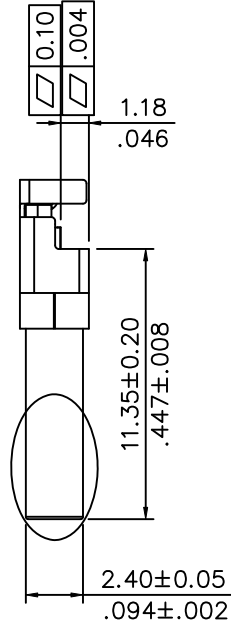
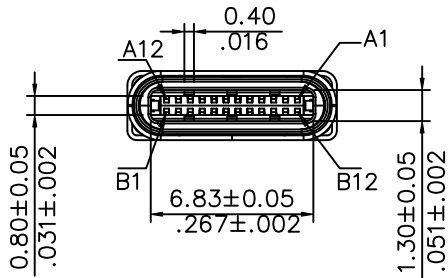
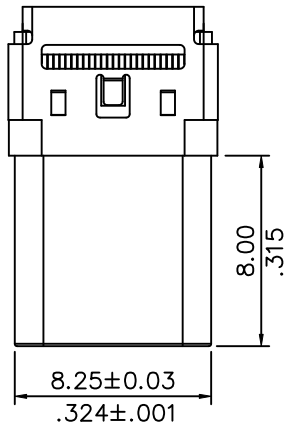
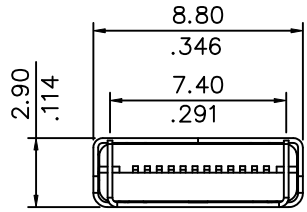


MATERIAL:

- 1.HOUSING: LCP, GLASS FIBER FILLED, BK
- 2.CONTACT: COPPER ALLOY (t=0.15mm).
- 3.GUARD PLATE: STAINLESS STEEL,T=0.10mm
- 4.SHIELD: STAINLESS STEEL (t=0.20mm).

FINISH:

CONTACT : GOLD PLATING ON CONTACT AREA,
MATTE TIN PLATING ON SOLDERTAILS,
NICKEL UNDERPLATING OVER ALL
SHELL: NICKEL PLATING



Ordering Code:

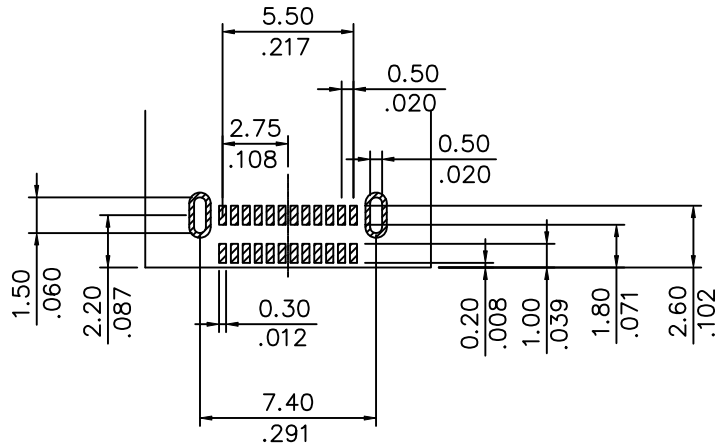
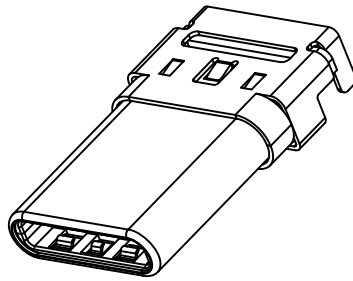
CU18 24 P * M 1 N 1 9 -LF -HC
 ① ② ③ ④ ⑤ ⑥ ⑦ ⑧ ⑨ ⑩ ⑪

- ① Series No.
- ② No. of Circuits
- ③ P=Plug
- ④ Plating option:
 A= Gold Flash plated on Contact area,
Matte Tin plated on Solderails,
Nickel underplating over all. (USB 2.0)
 B= 15u" gold plated on Contact area,
Matte Tin plated on Solderails,
Nickel underplating over all. (Gen 1)
 C= 30u" gold plated on Contact area,
Matte Tin plated on Solderails,
Nickel underplating over all. (Gen 2)
- ⑤ Contact tail style:
 M= Middle mount Right angle
- ⑥ Insulator Color: 1= Black
- ⑦ PCB Style: N= Without PCB
- ⑧ Shell Type: 1= Draw Type
- ⑨ Other option: 9= WELD LEG SYMMETRICAL(Band Line clip Shell)
- ⑩ -LF= For Lead Free IR Reflow Process
- ⑪ -HC= High Current

Lead Free Process RoHS Compliant

④					DATE	UNIT: mm / inch	TITLE:
③					DRAWN BY: Mark	12/07-17'	U.S.B Type-C PLUG SMT(Band Line clip Shell) MIDDLE MOUNT RIGHT ANGLE
②					ENGINEER: Mark	12/07-17'	MATERIAL:
①					CHECKED BY: Andy	12/07-17'	FINISH:
SYM	NAME	DATE	REVISIONS	APPROVED BY: Andy	12/07-17'	.X ± 0.25/.010 .X' ± 4' .XX ± 0.20/.008 .X' ± 2' .XXX ± 0.10/.004 .XX' ± 1'	

瀚荃股份有限公司 CviLux Corporation			
DRAWING NO.	CU1851SA	PART NO.	CU1824P*M1N19-LF-HC
SCALE	3 / 1	SHEET	1 OF 4



RECOMMENDED P.C.B. LAYOUT
 T=0.80(.031) OR 1.00(.040)mm
 TOLERANCE UNSPECIFIED ±0.05mm

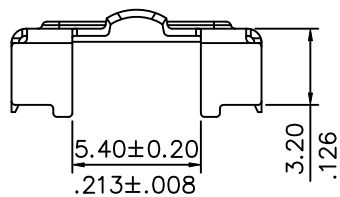
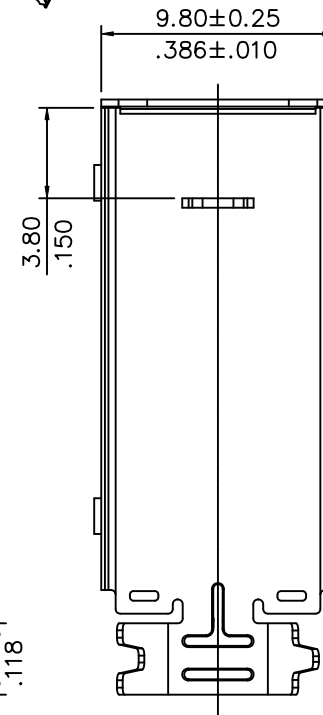
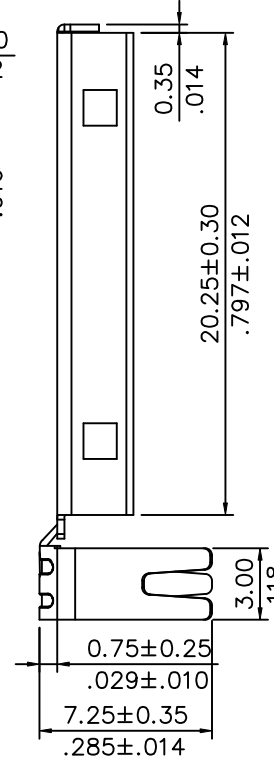
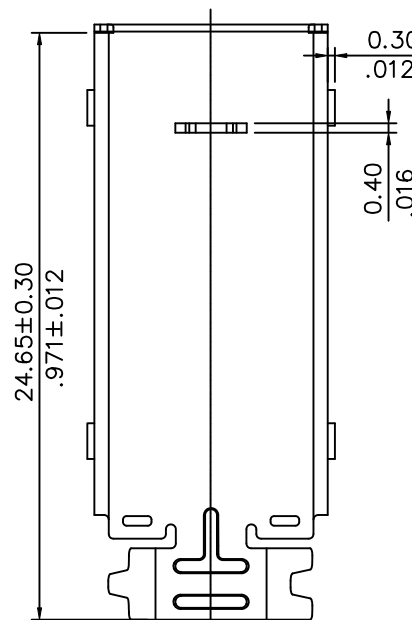
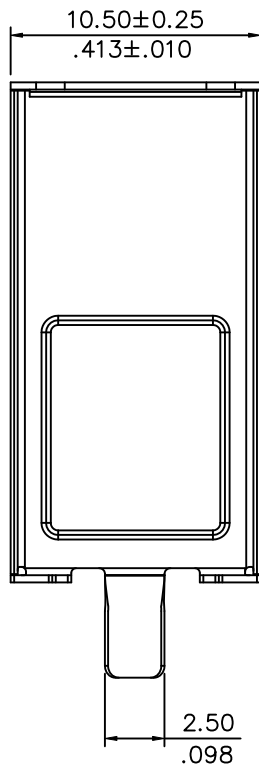
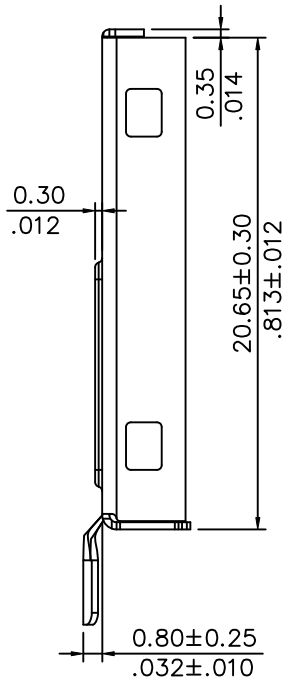
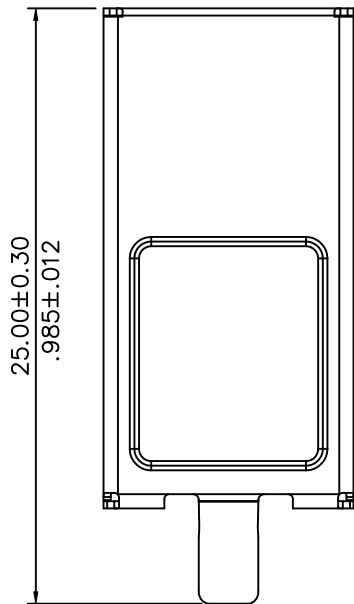
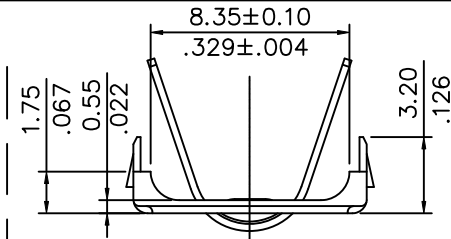
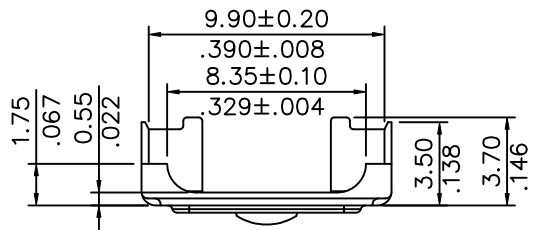
USB TYPE-C FULL-FEATURED RECEPTACLE INTERFACE PIN ASSIGNMENTS

PIN	Signal Name	Description	PIN	Signal Name	Description
A1	GND	Ground return	B12	GND	Ground return
A2	SSTXp1	Positive half of first SuperSpeed TX differential pair	B11	SSRXp1	Positive half of first SuperSpeed RX differential pair
A3	SSTXn1	Negative half of first SuperSpeed TX differential pair	B10	SSRXn1	Negative half of first SuperSpeed RX differential pair
A4	Vbus	Bus Power	B9	VBUS	Bus Power
A5	CC1	Configuration Channel	B8	SBU2	Sideband Use(SBU)
A6	Dp1	Positive half of the USB 2.0 differential pair-Position 1	B7	Dn2	Positive half of the USB 2.0 differential pair-Position 2
A7	Dn1	Negative half of the USB 2.0 differential pair-Position 1	B6	Dp2	Negative half of the USB 2.0 differential pair-Position 2
A8	SBU1	Sideband Use(SBU)	B5	CC2	Configuration Channel
A9	VBUS	Bus Power	B4	VBUS	Bus Power
A10	SSRXn2	Negative half of second SuperSpeed RX differential pair	B3	SSTXn2	Negative half of second SuperSpeed TX differential pair
A11	SSRXp2	Positive half of second SuperSpeed RX differential pair	B2	SSTXp2	Positive half of second SuperSpeed TX differential pair
A12	GND	Ground return	B1	GND	Ground return

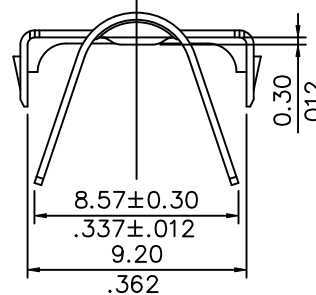
Lead Free Process RoHS compliant

4					DATE	UNIT: mm / inch	TITLE:	瀚荃股份有限公司 CviLux Corporation
3				DRAWN BY:	Mark	12/07-17'	U.S.B Type-C PLUG SMT(Band Line clip Shell) MIDDLE MOUNT RIGHT ANGLE	
2				ENGINEER:	Mark	12/07-17'	MATERIAL:	
1				CHECKED BY:	Andy	12/07-17'	FINISH:	
SYM	NAME	DATE	REVISIONS	APPROVED BY:	Andy	12/07-17'		

DRAWING NO.	CU1851SA	PART NO.	CU1824P*M1N19-LF-HC
SCALE	3 / 1	SHEET	2 OF 4



CU18SPNMC0



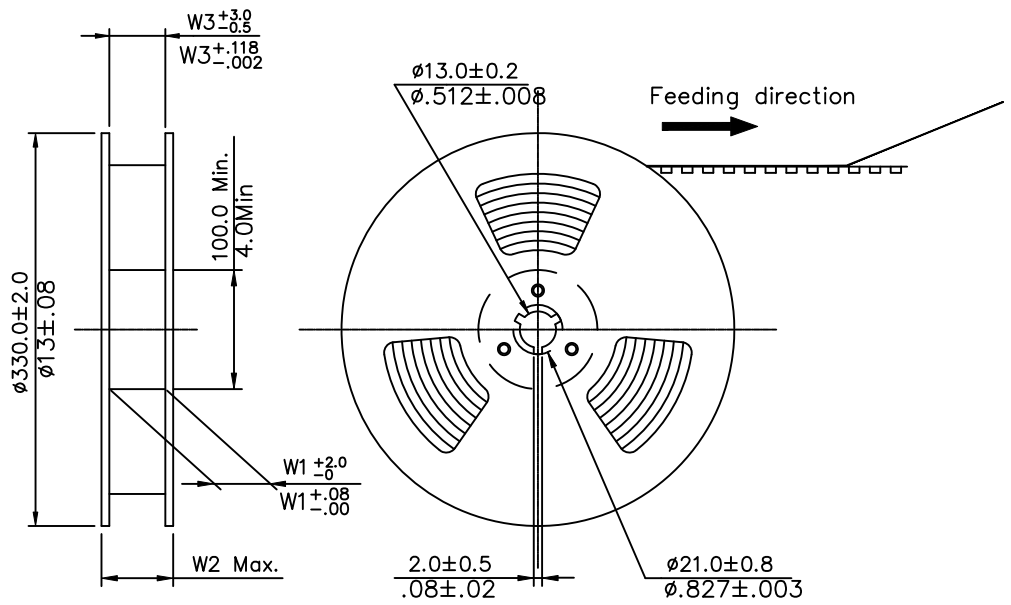
CU18SPYMC1

Lead Free Process RoHS Compliant

 瀚荃股份有限公司
CviLux Corporation

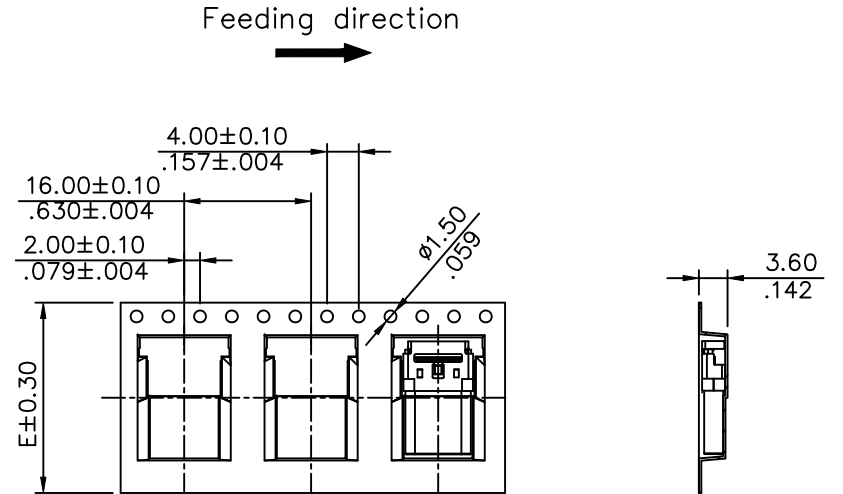
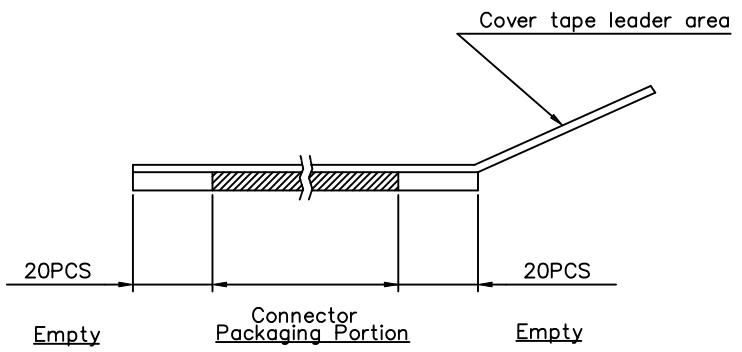
4					DATE	UNIT: mm / inch	TITLE:
3					DRAWN BY: Mark	TOLERANCE UNLESS OTHERWISE SPECIFIED	U.S.B Type-C PLUG SMT(Band Line clip Shell) MIDDLE MOUNT RIGHT ANGLE
2					ENGINEER: Mark		MATERIAL:
1					CHECKED BY: Andy	.X ± 0.25/.010 X' ± 4'	FINISH:
					APPROVED BY: Andy	.XX ± 0.20/.008 .X' ± 2'	
						.XXX ± 0.10/.004 .XX' ± 1'	
SYM	NAME	DATE	REVISIONS	APPROVED BY:	DATE		

DRAWING NO.	CU1851SA	PART NO.	CU1824P*M1N19-LF-HC
SCALE	3 / 1	SHEET	3 OF 4



- NOTE :
- * Reel Material : HIPS
 - * Carrier Material : Black, Conductive Polystyrene Alloy
 - * Cover Tape Material : Polyester
 - * Cover Tape Peel Strength : 0.1N – 1.3N
 - * Carrier camber is within 1mm in 250mm
 - * All dimensions meet EIA-481-B requirements.
 - * Quantity : 1000 PCS/Reel

Dimension				Packing (Reel/Carton)
E	W1	W2	W3	
24.0(.945)	24.5(.965)	30.5(1.201)	24.5(.965)	10



WIDTH : 24 mm Carrier

RoHS Compliant

4				DATE	UNIT: mm / inch	TITLE:	瀚荃股份有限公司 CviLux Corporation
3				DRAWN BY: Mark	TOLERANCE	U.S.B Type-C PLUG SMT(Band Line clip Shell) MIDDLE MOUNT RIGHT ANGLE	
2				ENGINEER: Mark	UNLESS OTHERWISE SPECIFIED	MATERIAL:	
1				CHECKED BY: Andy	.X ± X' ± 4'	FINISH:	
SYM	NAME	DATE	REVISIONS	APPROVED BY: Andy	.XX ± .X' ± 2'		
					.XXX ± .XX' ± 1'		DRAWING NO. CU1851SA SCALE PART NO. CU1824P*M1N19-LF-HC SHEET 4 OF 4