

MATERIAL:

- 1.HOUSING: LCP, GLASS FIBER FILLED, BK
- 2.CONTACT: PHOSPHOR BRONZE (T=0.15mm)
- 3.GUARD PLATE:STAINLESS STEEL (T=0.10mm)
- 4.SHIELD: STAINLESS STEEL (T=0.20mm)

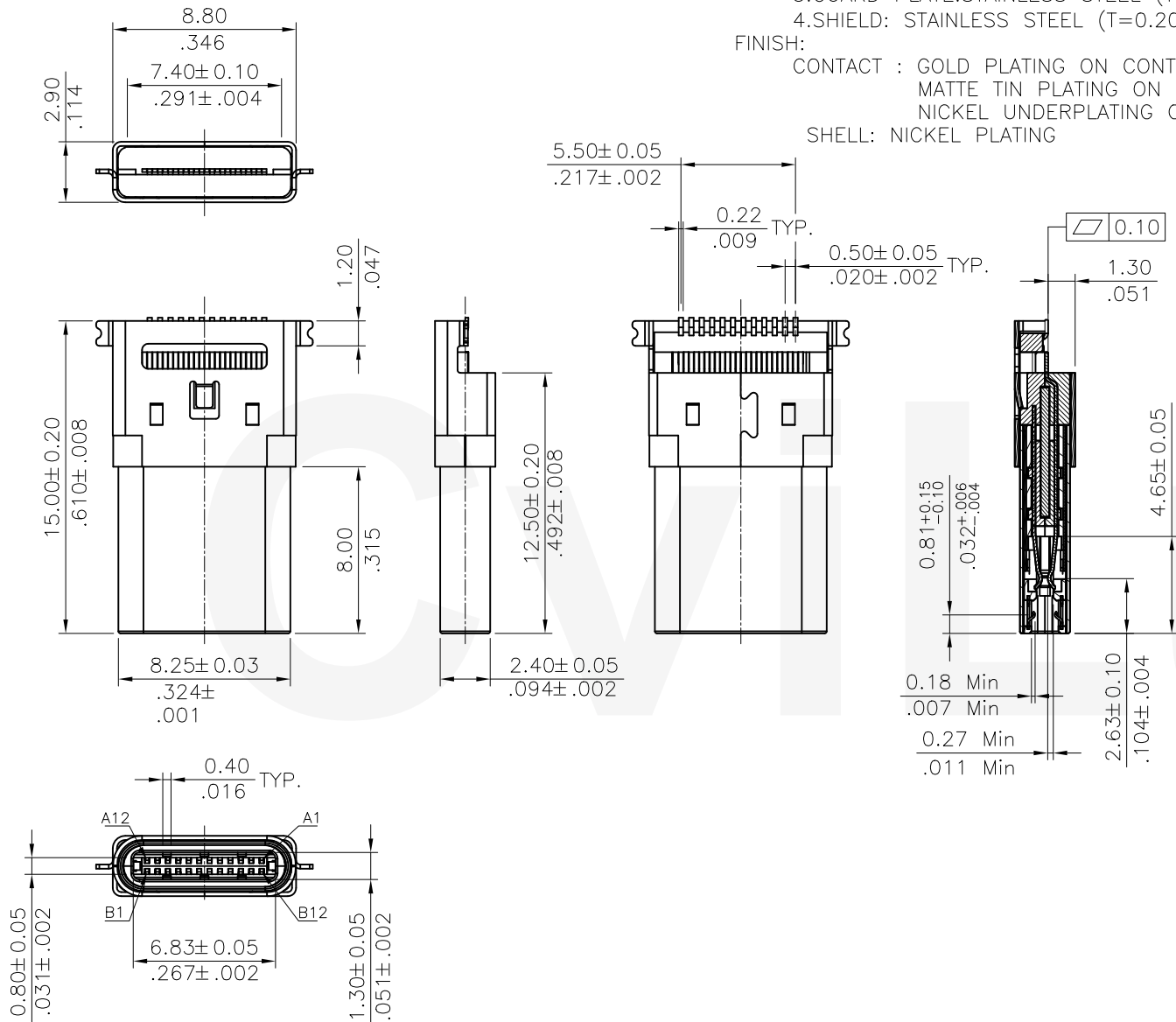
FINISH:

- CONTACT : GOLD PLATING ON CONTACT AREA,
MATTE TIN PLATING ON SOLDER TAILS,
NICKEL UNDERPLATING OVER ALL
- SHELL: NICKEL PLATING


Ordering Code:

CU18 24 P * M 1 N 1 3 -LF -HC
 ① ② ③ ④ ⑤ ⑥ ⑦ ⑧ ⑨ ⑩ ⑪

- ① Series No.
- ② No. of Circuits
- ③ P=Pulg
- ④ Plating option:
 A= 1u" gold plated on Contact area,
 Matte Tin plated on Solder tails,
 Nickel underplating over all
 B= 15u" gold plated on Contact area,
 Matte Tin plated on Solder tails,
 Nickel underplating over all
 C= 30u" gold plated on Contact area,
 Matte Tin plated on Solder tails,
 Nickel underplating over all
- ⑤ Contact tail style:
 M= Middle mount Right angle
- ⑥ Insulator Color: 1= Black
- ⑦ PCB Style: N= Without PCB
- ⑧ Shell Type: 1= Draw Type
- ⑨ Shell Solder Style: 3= SMT Type
- ⑩ -LF= For Lead Free IR Reflow Process
- ⑪ -HC= High Current

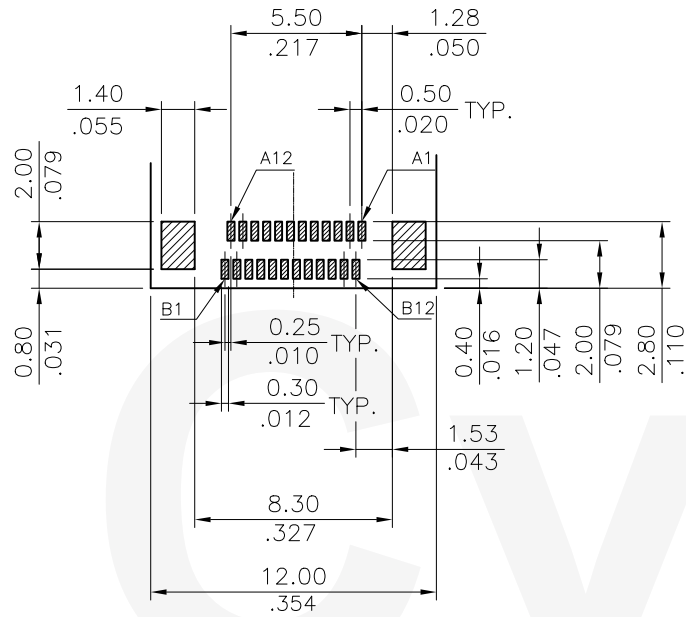


Lead Free Process RoHS Compliant

④					DATE	UNIT: mm / inch	TITLE: U.S.B TYPE C PLUG SMT MIDDLE MOUNT RIGHT ANGLE	 瀚荃股份有限公司 CviLux Corporation
③					DRAWN BY: Yan	TOLERANCE UNLESS OTHERWISE SPECIFIED	MATERIAL:	
②					ENGINEER: Yan	.X ± 0.25/.010 X' ± 4'	FINISH:	DRAWING NO. CU1824SA PART NO. CU1824PAM1N13-LF-HC
①					CHECKED BY: Andy	.XX ± 0.20/.008 X' ± 2'		SCALE 3 / 1 SHEET 1 OF 3
SYM	NAME	DATE	REVISIONS		APPROVED BY: Andy	.XXX ± 0.10/.004 .XX ±		

USB TYPE-C FULL-FEATURED RECEPTACLE INTERFACE PIN ASSIGNMENTS

PIN	Signal Name	Description	PIN	Signal Name	Description
A1	GND	Ground return	B12	GND	Ground return
A2	SSTXp1	Positive half of first SuperSpeed TX differential pair	B11	SSRXp1	Positive half of first SuperSpeed RX differential pair
A3	SSTXn1	Negative half of first SuperSpeed TX differential pair	B10	SSRXn1	Negative half of first SuperSpeed RX differential pair
A4	Vbus	Bus Power	B9	VBUS	Bus Power
A5	CC1	Configuration Channel	B8	SBU2	Sideband Use(SBU)
A6	Dp1	Positive half of the USB 2.0 differential pair-Position 1	B7	Dn2	Negative half of the USB 2.0 differential pair-Position 2
A7	Dn1	Negative half of the USB 2.0 differential pair-Position 1	B6	Dp2	Positive half of the USB 2.0 differential pair-Position 2
A8	SBU1	Sideband Use(SBU)	B5	CC2	Configuration Channel
A9	VBUS	Bus Power	B4	VBUS	Bus Power
A10	SSRXn2	Negative half of second SuperSpeed RX differential pair	B3	SSTXn2	Negative half of second SuperSpeed TX differential pair
A11	SSRXp2	Positive half of second SuperSpeed RX differential pair	B2	SSTXp2	Positive half of second SuperSpeed TX differential pair
A12	GND	Ground return	B1	GND	Ground return



RECOMMENDED P.C.B. LAYOUT (T:1.00mm)
TOLERANCE ±0.05mm

Lead Free Process RoHS Compliant

		DRAWN BY: Yan		DATE: 5/15-17'	UNIT: mm / inch TOLERANCE UNLESS OTHERWISE SPECIFIED .X ± 0.25/.010 .X' ± 4' .XX ± 0.20/.008 .X' ± 2' .XXX ± 0.10/.004 .XX' ±	TITLE: USB TYPE C PLUG SMT MIDDLE MOUNT RIGHT ANGLE MATERIAL:	瀚荃股份有限公司 CviLux Corporation	DRAWING NO. CU1824SA	PART NO. CU1824PAM1N13-LF-HC	
		ENGINEER: Yan		DATE: 5/15-17'				FINISH:	SCALE 3 / 1	SHEET 2 OF 3
		CHECKED BY: Andy		DATE: 5/15-17'						
		SYM	NAME	DATE	REVISIONS	APPROVED BY: Andy	DATE: 5/15-17'			

