

**Ordering Code:**

CU18 24 P \* C 1 N 10 -LF -HC  
 ① ② ③ ④ ⑤ ⑥ ⑦ ⑧ ⑨ ⑩

① Series No.

② No. of Circuits

③ P=Pulg

△ ④ Plating option:

A= Gold Flash plated on Contact area,  
Matte Tin plated on Solderails,  
Nickel underplating over all

B= 15u" gold plated on Contact area,  
Matte Tin plated on Solderails,  
Nickel underplating over all

C= 30u" gold plated on Contact area,  
Matte Tin plated on Solderails,  
Nickel underplating over all

⑤ Contact tail style:

C= PCB Clip type

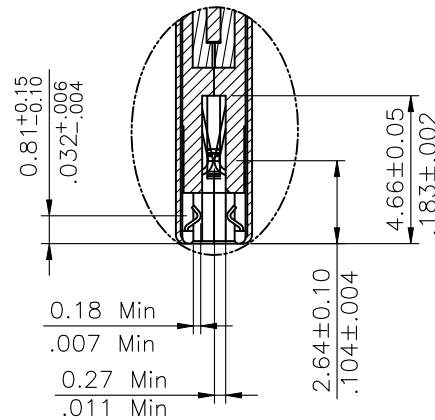
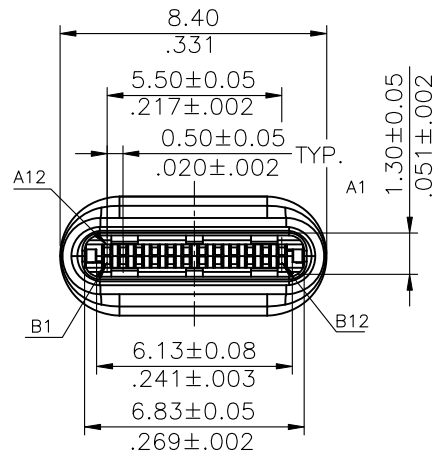
⑥ Insulator Color: 1= Black

⑦ PCB Style: N= Without PCB

⑧ Shell Type: 10= Draw Type

⑨ -LF= For Lead Free IR Reflow Process

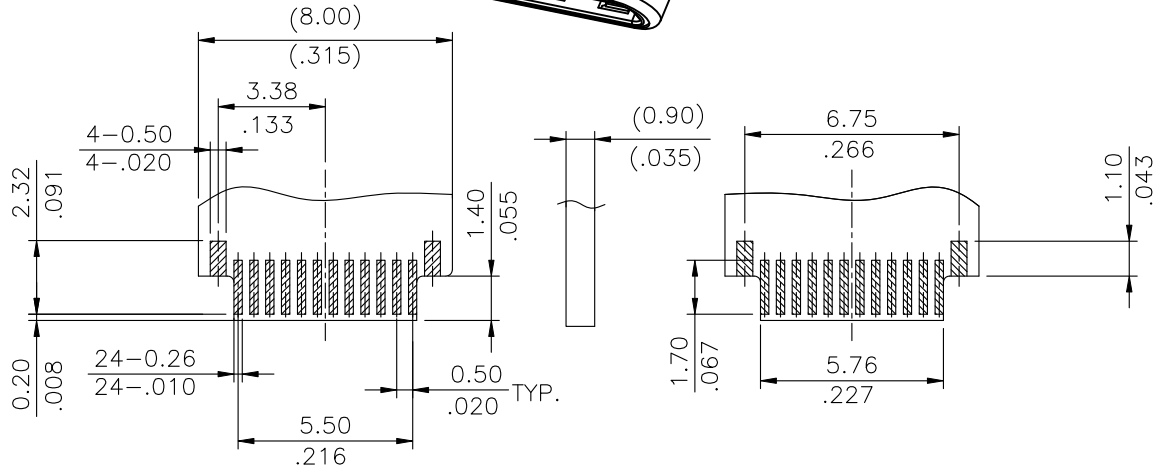
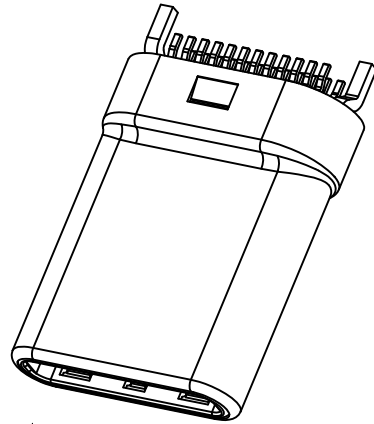
⑩ -HC= High Current



Lead Free Process      RoHS Compliant

④					DATE	UNIT: mm / inch	TITLE: U.S.B TYPE C PLUG SMT
③				DRAWN BY: Mark	11/15-17'	TOLERANCE UNLESS OTHERWISE SPECIFIED	PCB Clip type
②	Mark	11/15-17'		ENGINEER: Mark	11/15-17'	.X ± 0.25/.010    X' ± 4'	MATERIAL:
①	Mark	8/29-17'	ECRD117003	CHECKED BY: Andy	11/15-17'	.XX ± 0.20/.008    X" ± 2'	FINISH:
SYM	NAME	DATE	REVISIONS	APPROVED BY: Andy	11/15-17'	.XXX ± 0.10/.004    .XX' ±	

 瀚荃股份有限公司 CviLux Corporation			
DRAWING NO.	CU1834SB	PART NO.	CU1824P*C1N10-LF-HC
SCALE	4 / 1	SHEET	1 OF 3



RECOMMENDED P.C.B. LAYOUT  
TOLERANCE UNSPECIFIED ±0.05mm

**MATERIAL:**

- 1.HOUSING: LCP, GLASS FIBER FILLED, BK
- 2.CONTACT: PHOSPHOR BRONZE (T=0.15mm)
- 3.GUARD PLATE:STAINLESS STEEL (T=0.10mm)
- 4.SHIELD: STAINLESS STEEL (T=0.20mm)
- 5.COVER: LCP, GLASS FIBER FILLED, WHITE

**FINISH:**

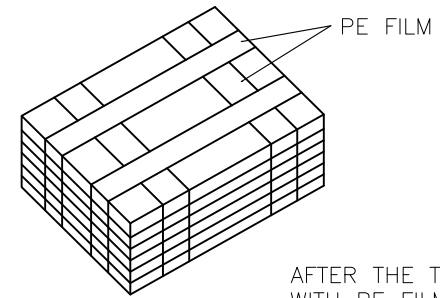
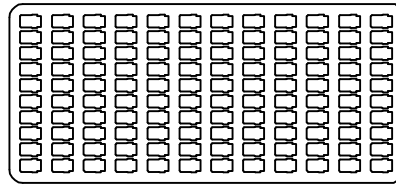
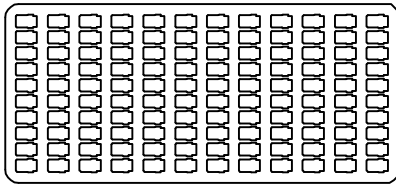
CONTACT : GOLD PLATING ON CONTACT AREA,  
MATTE TIN PLATING ON SOLDERTAILS,  
NICKEL UNDERPLATING OVER ALL  
SHELL: NICKEL PLATING

A12	GND	GND	B1
A11	RX2+	TX2+	B2
A10	RX2-	TX2-	B3
A9	Vbus	Vbus	B4
A8	SBU1	Vconn	B5
A7	D-		B6
A6	D+		B7
A5	CC	SBU2	B8
A4	Vbus	Vbus	B9
A3	TX1-	RX1-	B10
A2	TX1+	RX1+	B11
A1	GND	GND	B12

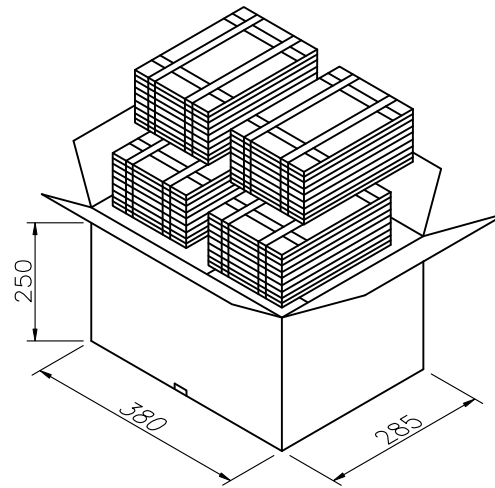
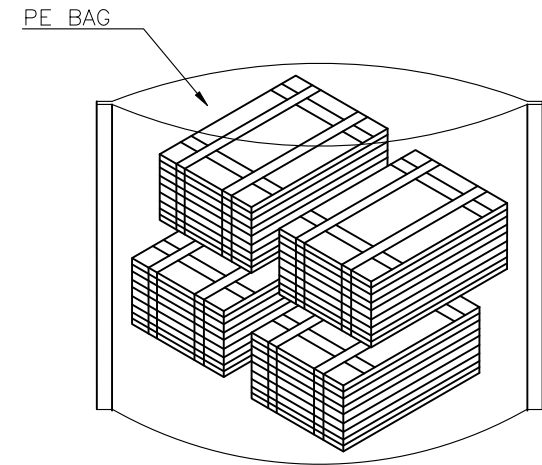
**Lead Free Process**      **RoHS Compliant**

4					DATE	UNIT: mm / inch	TITLE: U.S.B TYPE C PLUG SMT	<b>瀚荃股份有限公司</b> <b>CviLux Corporation</b>
	3			DRAWN BY: Mark	11/15-17'	TOLERANCE UNLESS OTHERWISE SPECIFIED	PCB Clip type	
2	Mark	11/15-17'		ENGINEER: Mark	11/15-17'	.X ± 0.25/.010	MATERIAL:	DRAWING NO. <b>CU1834SB</b> PART NO. <b>CU1824P*CI110-LF-HC</b>
1	Mark	8/29-17'	ECRD117003	CHECKED BY: Andy	11/15-17'	.XX ± 0.20/.008	FINISH:	
SYM	NAME	DATE	REVISIONS	APPROVED BY: Andy	11/15-17'	.XXX ± 0.10/.004		SCALE 4 / 1 SHEET 2 OF 3

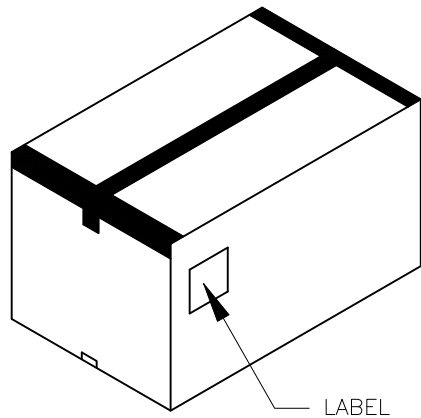
120 PCS/TRAY



AFTER THE TRAY WAS FOLDED WITH PE FILM ON THE TWISTS




WILL BE PACKAGED PRODUCTS IN 380\*285\*250mm INSIDE THE CARTONS, EACH CARTONS PACKED TWO SHEAF, A TOTAL OF PRODUCTS 12000PCS.



USE SEALING TAPE WILL TAKE PLACE OUTSIDE THE CARTON SEALING, THE LABELS PASTE ON THE OUTSIDE OF THE CARTON

RoHS Compliant

4					DATE	UNIT: mm / inch	TITLE: U.S.B TYPE C PLUG SMT PCB Clip type	 瀚荃股份有限公司 CviLux Corporation			
3				DRAWN BY: Mark	11/15-17'	TOLERANCE UNLESS OTHERWISE SPECIFIED	MATERIAL:				
2	Mark	11/15-17'		ENGINEER: Mark	11/15-17'	.X ± 1.0/.012 X'	FINISH:	SCALE	SHEET 3 OF 3		
1	Mark	8/29-17'	ECRD117003	CHECKED BY: Andy	11/15-17'	.XX ± 0.50/.008 .X'					
SYM	NAME	DATE	REVISIONS	APPROVED BY: Andy	11/15-17'	.XXX .XX'					