

Part No.	Transmission speeds	Plating Code
CU1816SAH1MD2R1-LF-HC	USB 2.0	A:Gold Flash
CU1816SBH1MD0R1-LF-HC	Gen1	B:15u" Gold
CU1816SCH1MD1R1-LF-HC	Gen2	C:30u" Gold

MATERIAL:

- 1.HOUSING: LCP, GLASS FIBER FILLED, BK
- 2.CONTACT: COPPER ALLOY (T=0.12mm)
- 3.SHIELD: STAINLESS STEEL (T=0.30mm)

FINISH:

- CONTACT: GOLD PLATING ON CONTACT AREA, MATTE TIN PLATING ON SOLDER TAILS, NICKEL UNDERPLATING OVER ALL
- SHELL: NICKEL PLATING

Ordering Code:

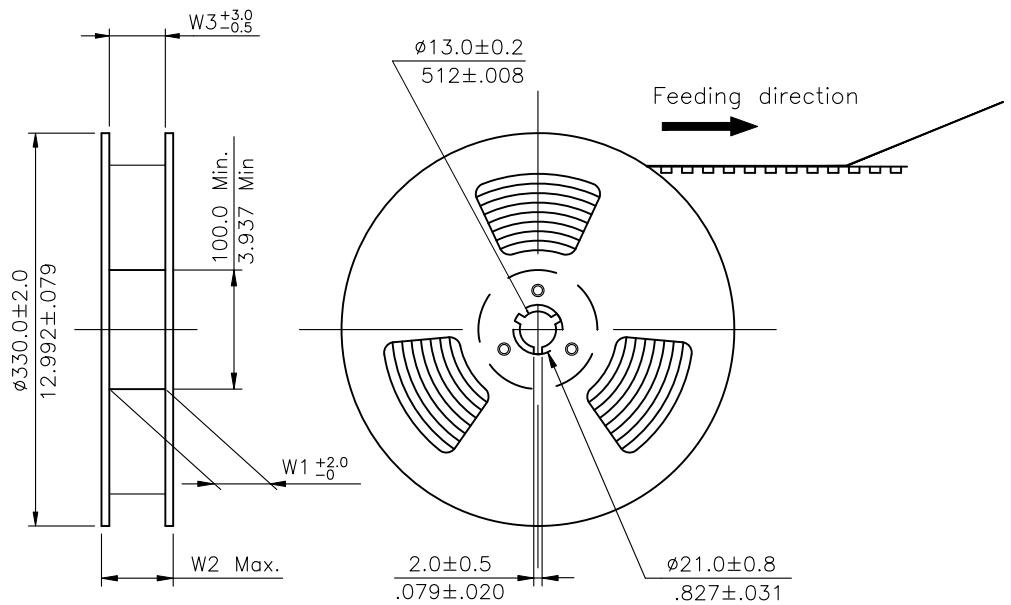
CU18 16 S A H 1 M D 2 R 1 -LF -HC
 ① ② ③ ④ ⑤ ⑥ ⑦ ⑧ ⑨ ⑩ ⑪ ⑫ ⑬

- ① Series No.
- ② No of Circuits:
- ③ S= Socket
- ④ Plating option:
A= Gold Flash plated on Contact area, Matte Tin plated on Solder tails, Nickel underplating over all
- ⑤ Contact tail style:
H= Top Mount, Side Entry
- ⑥ Insulator Color: 1= Black
- ⑦ Contact Solder Style: M= SMT Type
- ⑧ Shell Solder Style: D= DIP Type
- ⑨ Transmission speeds:
2= For USB 2.0
- ⑩ Packing Option: R= Reel Packing
- ⑪ Option: 1
- ⑫ -LF= For Lead Free IR Reflow Process
- ⑬ -HC= For High Current

Lead Free Process **RoHS compliant**

④					DATE	UNIT: mm / inch	TITLE:
③					DRAWN BY: Mark	12/28-17'	U.S.B TYPE C SOCKET SMT TOP MOUNT RIGHT ANGLE SHELL NON-ELASTIC SHEET
②					ENGINEER: Mark	12/28-17'	MATERIAL:
①	Keny	18/2/2		CHANGING	CHECKED BY: Andy	12/28-17'	FINISH:
SYM	NAME	DATE		REVISIONS	APPROVED BY: Andy	12/28-17'	

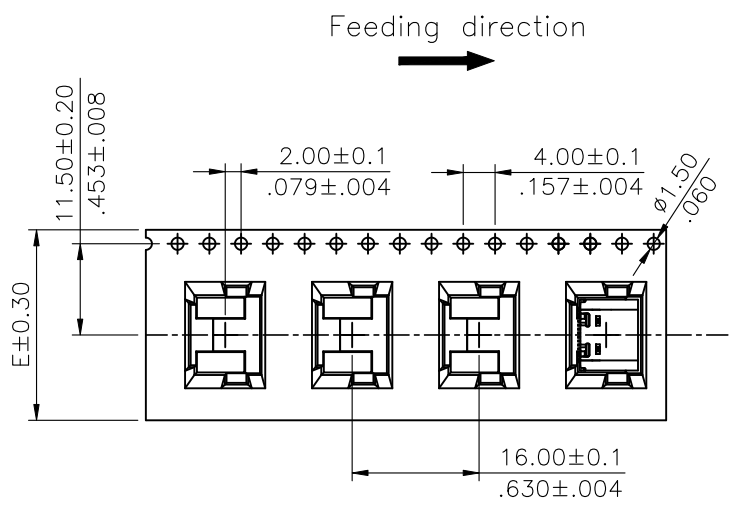
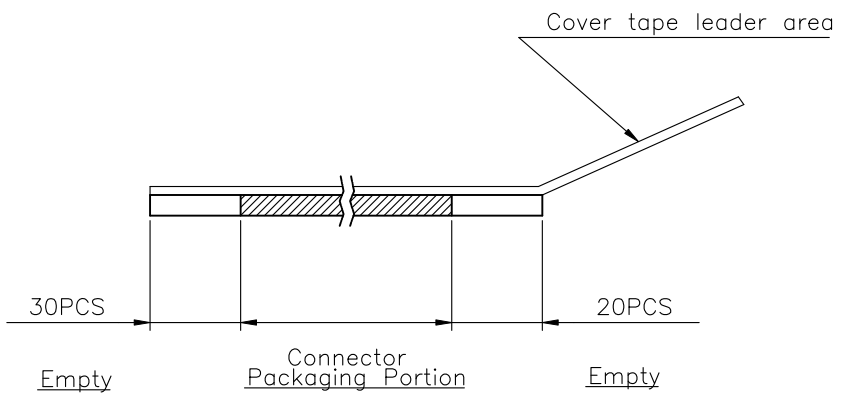
瀚荃股份有限公司 CviLux Corporation		DRAWING NO.	CU1853SA	PART NO.	CU1816SAH1MD2R1-LF-HC
		SCALE	4 / 1	SHEET	1 OF 3



NOTE :

- * Reel Material : HIPS
- * Carrier Material : Clear, Conductive Polystyrene Alloy
- * Cover Tape Material : Polyester
- * Cover Tape Peel Strength : 0.1N – 1.3N
- * Carrier camber is within 1mm in 250mm
- * All dimensions meet EIA-481-B requirements.
- * Quantity : 800 PCS/Reel

Dimension				Packing (Reel/Carton)
E	W1	W2	W3	
24.0(.945)	24.5(.965)	30.5(1.201)	24.5(.965)	10



RoHS Compliant

4					DATE	UNIT: mm / inch	TITLE:	瀚荃股份有限公司 CviLux Corporation	
3				DRAWN BY: Mark	12/28-17'	TOLERANCE UNLESS OTHERWISE SPECIFIED	U.S.B TYPE C SOCKET SMT TOP MOUNT RIGHT ANGLE SHELL NON-ELASTIC SHEET		
2				ENGINEER: Mark	12/28-17'	.X ±	MATERIAL:	DRAWING NO. CU1853SA PART NO. CU1816SAH1MD2R1-LF-HC	
1	Keny	18/2/2	CHANGING	CHECKED BY: Andy	12/28-17'	.XX ±	FINISH:		
SYM	NAME	DATE	REVISIONS	APPROVED BY: Andy	12/28-17'	.XXX ±		SCALE	SHEET 3 OF 3