

MATERIAL:  
 1.HOUSING: LCP, GLASS FIBER FILLED, BK  
 2.CONTACT: COPPER ALLOY (T=0.12mm)  
 3.SHIELD: STAINLESS STEEL (T=0.30mm)  
 FINISH:  
 CONTACT: SEE ORDER INFORMATION  
 SHELL: NICKEL PLATING

Ordering Code:

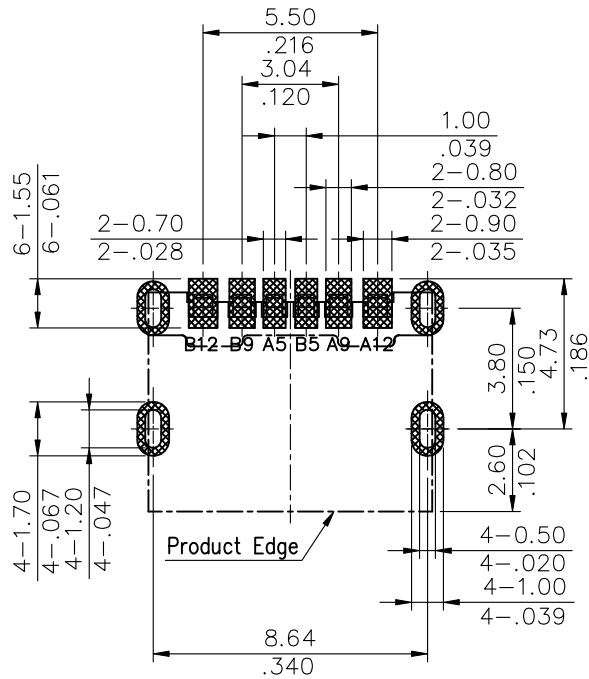
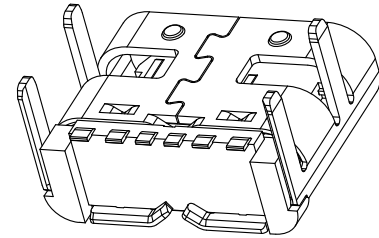
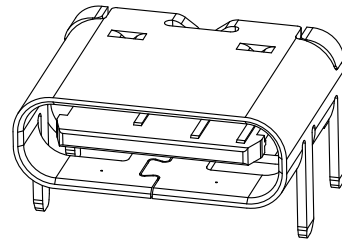
CU18 06 S \* H 1 M D 2 R 0 -LF -HC  
 ① ② ③ ④ ⑤ ⑥ ⑦ ⑧ ⑨ ⑩ ⑪ ⑫ ⑬

- ① Series No.
- ② No of Circuits:
- ③ S= Socket
- ④ Plating option:  
 A= Gold Flash plated on Contact area,  
 Matte Tin plated on Soldertails,  
 Nickel underplating over all  
 B= 15u" gold plated on Contact area,  
 Matte Tin plated on Soldertails,  
 Nickel underplating over all  
 C= 30u" gold plated on Contact area,  
 Matte Tin plated on Soldertails,  
 Nickel underplating over all
- ⑤ Contact tail style:  
 H= Top Mount, Side Entry
- ⑥ Insulator Color: 1= Black
- ⑦ Contact Solder Style: M= SMT Type
- ⑧ Shell Solder Style: D= DIP Type
- ⑨ Transmission speeds:  
 0= For Gen1; 1= For Gen2; 2= For USB 2.0
- ⑩ Packing Option: R= Reel Packing
- ⑪ Other option: 0= STANDARD
- ⑫ -LF= For Lead Free IR Reflow Process
- ⑬ -HC= For High Current

Lead Free Process      RoHS Compliant

|     |      |      |           |                   |                  |   |  |
|-----|------|------|-----------|-------------------|------------------|---|--|
| ④   |      |      |           |                   | DATE             | UNIT: mm / inch                                       | TITLE:   |
| ③   |      |      |           |                   | DRAWN BY: Mark   | 01/26-18'   | USB TYPE C 2.0 FEMALE<br>CL1.68 H3.16mm SMT TYPE |
| ②   |      |      |           |                   | ENGINEER: Mark   | 01/26-18'   | MATERIAL:  |
| ①   |      |      |           |                   | CHECKED BY: Andy | 01/26-18'   | FINISH:  |
| SYM | NAME | DATE | REVISIONS | APPROVED BY: Andy | 01/26-18'        | .X ± 0.25/.010    .XX ± 0.20/.008    .XXX ± 0.10/.004 |  |

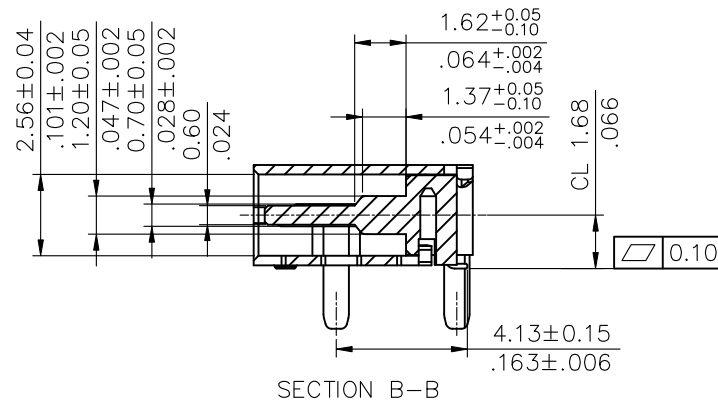
|  |  |             |          |          |                       |
|--|--|-------------|----------|----------|-----------------------|
|  瀚荃股份有限公司<br>CviLux Corporation |  | DRAWING NO. | CU1857SA | PART NO. | CU1806S*H1MD2R0-LF-HC |
|  |  | SCALE       | 4 / 1    | SHEET    | 1 OF 3                |



RECOMMENDED P.C.B. LAYOUT  
TOLERANCE  $\pm 0.05\text{mm}$

USB TYPE-C FULL-FEATURED RECEPTACLE INTERFACE PIN ASSIGNMENTS

| PIN | Signal Name | Description           | PIN | Signal Name | Description           |
|-----|-------------|-----------------------|-----|-------------|-----------------------|
| A5  | CC1         | Configuration Channel | B12 | GND         | Ground return         |
| A9  | VBUS        | Bus Power             | B9  | VBUS        | Bus Power             |
| A12 | GND         | Ground return         | B5  | CC2         | Configuration Channel |

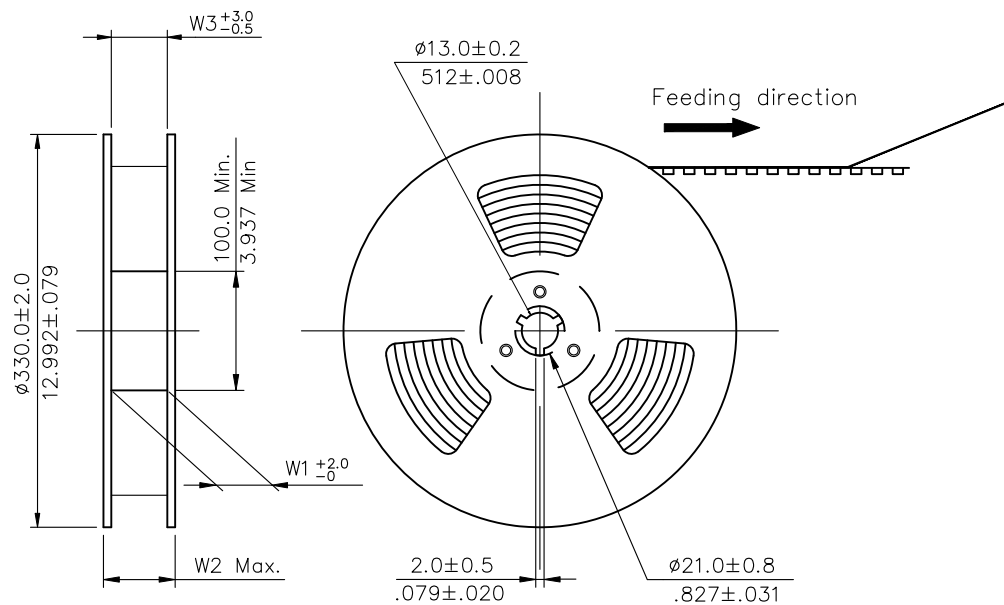


Lead Free Process      RoHS Compliant

| SYM | NAME | DATE | REVISIONS | APPROVED BY:      | DATE      | UNIT: mm / inch                         | TITLE:   |         |
|-----|------|------|-----------|-------------------|-----------|---|--|---------|
| 4   |      |      |           |                   |           | TOLERANCE<br>UNLESS OTHERWISE SPECIFIED | USB TYPE C 2.0 FEMALE<br>CL1.68 H3.16mm SMT TYPE |         |
| 3   |      |      |           |                   |           |   |  |         |
| 2   |      |      |           |                   |           |   |  |         |
| 1   |      |      |           |                   |           |   |  |         |
|     |      |      |           | DRAWN BY: Mark    | 01/26-18' | .X $\pm 0.25/010$                       | MATERIAL:  |         |
|     |      |      |           | ENGINEER: Mark    | 01/26-18' | .XX $\pm 0.20/008$                      |  | FINISH: |
|     |      |      |           | CHECKED BY: Andy  | 01/26-18' | .XXX $\pm 0.10/004$                     |  |         |
|     |      |      |           | APPROVED BY: Andy | 01/26-18' |   |  |         |



|             |          |          |                       |
|-------------|----------|----------|-----------------------|
| DRAWING NO. | CU1857SA | PART NO. | CU1806S#H1MD2RO-LF-HC |
| SCALE       | 4 / 1    | SHEET    | 2 OF 3                |

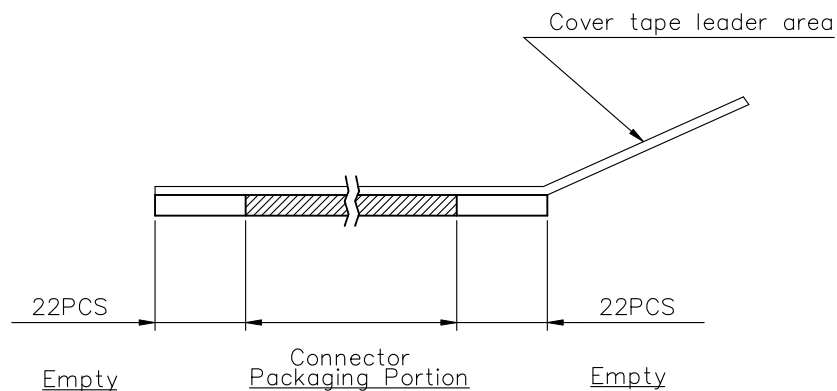
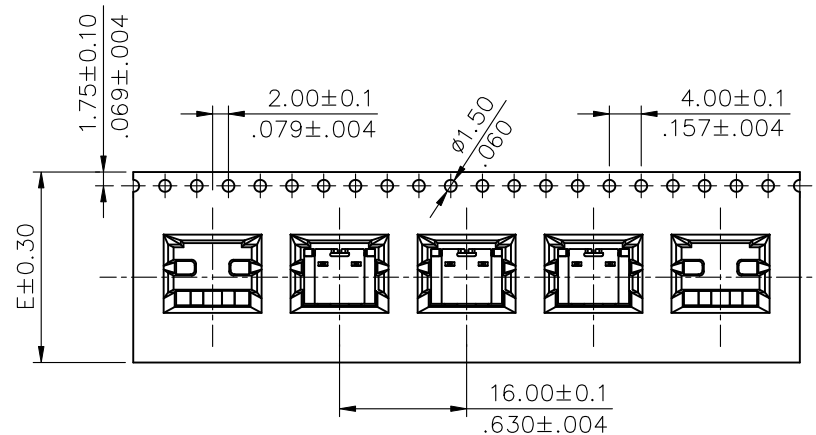


NOTE :


- \* Reel Material : HIPS
- \* Carrier Material : Clear, Conductive Polystyrene Alloy
- \* Cover Tape Material : Polyester
- \* Cover Tape Peel Strength : 0.1N – 1.3N
- \* Carrier camber is within 1mm in 250mm
- \* All dimensions meet EIA-481-B requirements.
- \* Quantity : 700 PCS/Reel

| Dimension  |            |             |            | Packing<br>(Reel/Carton) |
|------------|------------|-------------|------------|--------------------------|
| E          | W1         | W2          | W3         |                          |
| 24.0(.945) | 24.5(.965) | 30.5(1.201) | 24.5(.965) | 10                       |

Feeding direction



RoHS Compliant

| 4   |      |      |           | DATE                     | UNIT: mm / inch | TITLE:   |  <b>瀚荃股份有限公司</b><br>CviLux Corporation |              |
|-----|------|------|-----------|--------------------------|-----------------|--|---|--------------|
| 3   |      |      |           | DRAWN BY: <b>Mark</b>    | 01/26-18'       | <b>USB TYPE C 2.0 FEMALE</b><br><b>CL1.68 H3.16mm SMT TYPE</b> |   |              |
| 2   |      |      |           | ENGINEER: <b>Mark</b>    | 01/26-18'       | MATERIAL:  | DRAWING NO. <b>CU1857SA</b> PART NO. <b>CU1806S*H1MD2R0-LF-HC</b>   |              |
| 1   |      |      |           | CHECKED BY: <b>Andy</b>  | 01/26-18'       | FINISH:  |   |              |
| SYM | NAME | DATE | REVISIONS | APPROVED BY: <b>Andy</b> | 01/26-18'       |  | SCALE   | SHEET 3 OF 3 |