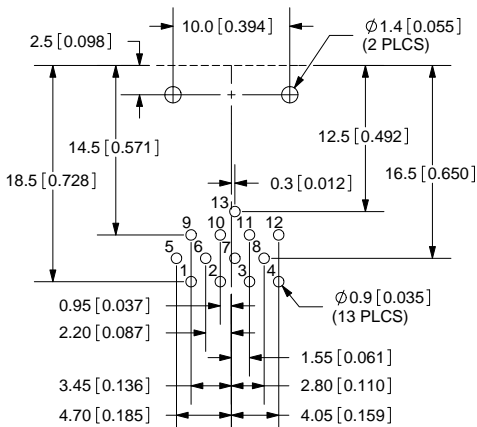
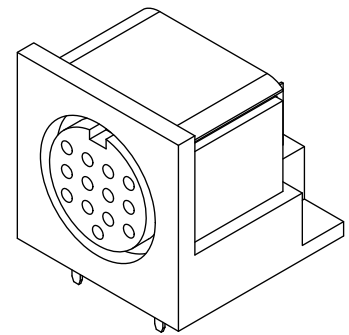
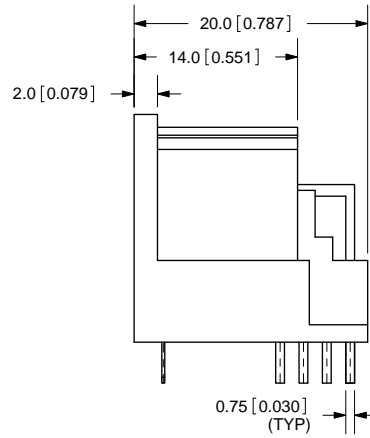
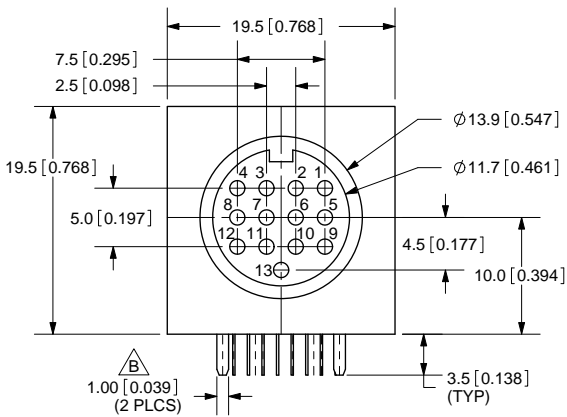


REV.	DESCRIPTION	DATE
A	NEW DRAWING	12/12/2005
B	dimension correction	2/10/2010



PCB LAYOUT  
TOP VIEW

**SPECIFICATIONS:**  
 RATING: 12V DC @ 2A; 100V AC @ 1A  
 CONTACT RESISTANCE: 100m OHMS MAX  
 INSULATION RESISTANCE: 100M OHMS MIN; 500V DC  
 VOLTAGE WITHSTAND: 500V AC R.M.S. FOR 1 MINUTE  
 INSERTION FORCE: 3.0KG MAX  
 WITHDRAWAL FORCE: 0.5KG~2.0KG  
 LIFE: 5,000 CYCLES

	MATERIAL	PLATING
EARTH TERMINAL	Phosphor Bronze	Tin
TERMINALS (1-13)	Phosphor Bronze	Silver
HOUSING	PBT	

TOLERANCE:  
 X.X ±0.2mm  
 X.XX ±0.1mm  
 X.XXX ±0.05mm



20050 SW 112th Ave.  
 Tualatin, OR 97062  
 Phone: 503-612-2300  
 800-275-4899  
 Fax: 503-612-2383  
 Website: www.cui.com

TITLE: STANDARD CIRCULAR CONN. w/o SHIELD		REV: B
PART NO. SDD-130J	UNITS: MM [INCHES]	
DRAWN BY: ZRJ	APPROVED BY:	SCALE: 2:1

PC FILE NAME:  
SDD-130J

COPYRIGHT 2010 BY CUI INC.