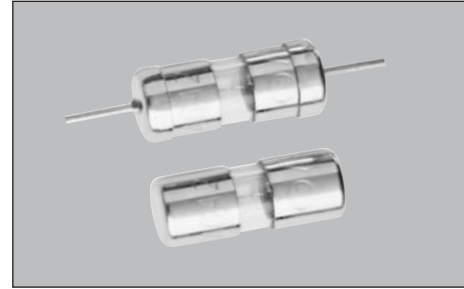


1/4" x 5/8" Fuses

AGA Series, Fast Acting, Glass Tube

Description

- Fast acting
- 1/4" x 5/8" (6.3mm x 15.9mm) physical size
- Glass tube, nickel-plated brass endcap construction
- Mounts in inline holders HRK or 1/4" clips
- Optional leaded version available
- UL Listed product meets standard 248-14



ELECTRICAL CHARACTERISTICS		
Rated Current	% of Amp Rating	Opening Time
1/16 - 10A	100%	4 hours minimum
	135%	60 minutes maximum
	200%	120 seconds maximum

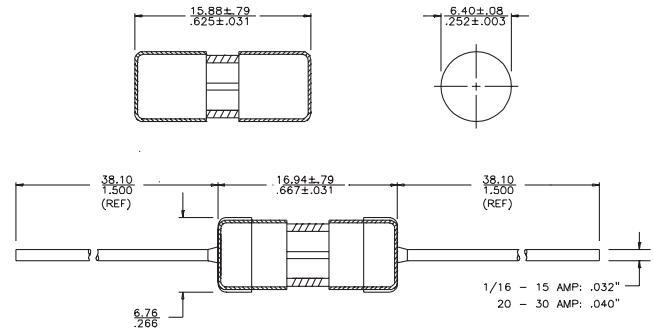
Agency Information

- UL Listed, Guide JDYX, File E19180 (AGA 0-1 1/2A)
- UL Listed, Guide JDYX, File E19180 (AGA-V 0-5A)
- UL Recognized, Guide JDYX2, File E19180 (AGA 2A-12A)
- UL Recognized, Guide JDYX2, File E19180 (AGA-V 6A-12A)

Ordering

- Specify product code, option code and packaging code

Dimensions mm/(inches)



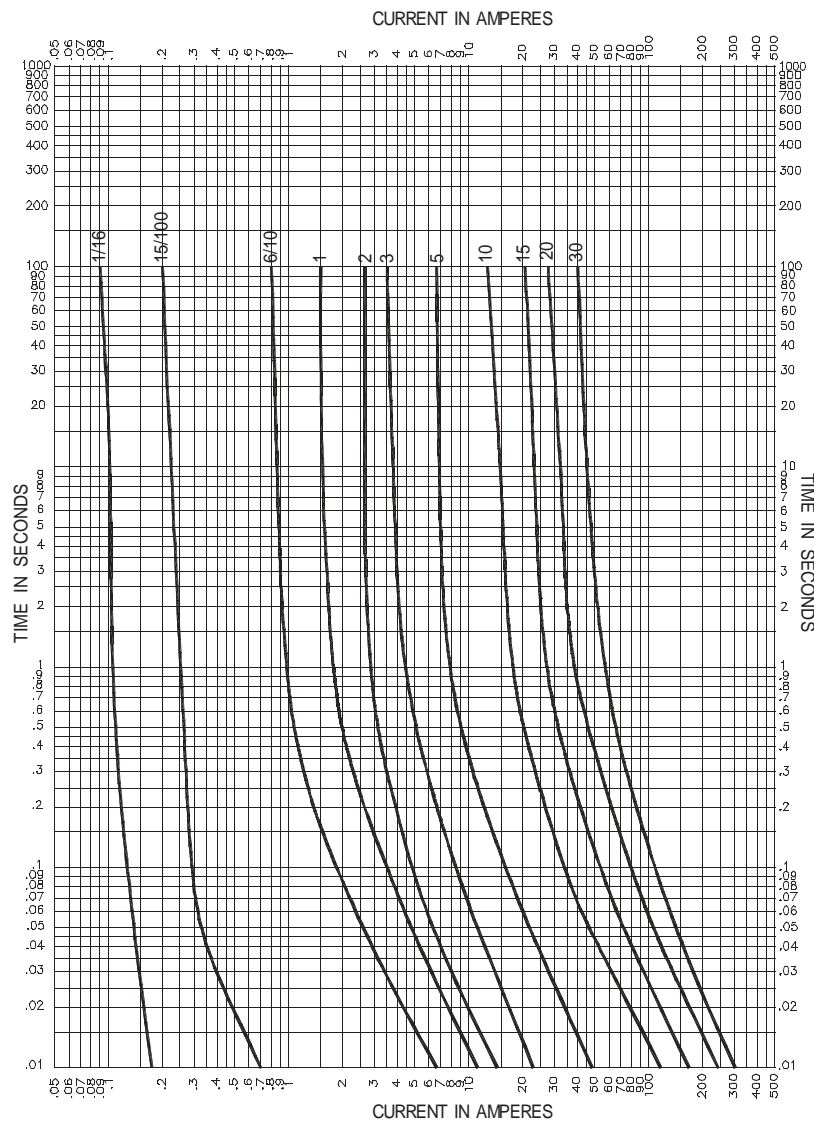
SPECIFICATIONS							
Product Code	Voltage Rating AC	AC Interrupting Rating*		Typical DC Cold Resistance (ohms)**	Typical Melt		Typical Voltage Drop (V)‡
		125V	32V		AC	DC	
AGA-1/16	125 V	10,000A	-	13.250	TBD	-	TBD
AGA-1/10	125 V	10,000A	-	6.250	TBD	-	TBD
AGA-1/8	125 V	10,000A	-	4.000	TBD	-	TBD
AGA-1/4	125 V	10,000A	-	1.740	TBD	-	TBD
AGA-3/8	125 V	10,000A	-	0.925	TBD	-	TBD
AGA-1/2	125 V	10,000A	-	0.300	TBD	-	TBD
AGA-6/10	125 V	10,000A	-	0.250	TBD	-	TBD
AGA-3/4	125 V	10,000A	-	0.179	TBD	-	TBD
AGA-1	125 V	10,000A	-	0.118	TBD	-	TBD
AGA-1-1/2	125 V	10,000A	-	0.077	TBD	-	TBD
AGA-2	125 V	200A	-	0.054	TBD	-	TBD
AGA-2-1/2	125 V	200A	-	0.040	TBD	-	TBD
AGA-3	125 V	200A	-	0.031	TBD	-	TBD
AGA-5	125 V	200A	-	0.017	TBD	-	TBD
AGA-6	32 V	-	1,000A	0.014	TBD	-	TBD
AGA-7	32 V	-	1,000A	0.012	TBD	-	TBD
AGA-7-1/2	32 V	-	1,000A	0.010	TBD	-	TBD
AGA-10	32 V	-	1,000A	0.007	TBD	-	TBD
AGA-15	32 V	-	1,000A	0.005	TBD	-	TBD
AGA-20	32 V	-	1,000A	0.003	TBD	-	TBD
AGA-25	32 V	-	1,000A	0.003	TBD	-	TBD
AGA-30	32 V	-	1,000A	0.002	TBD	-	TBD

* Interrupting Rating: Interrupting ratings for 2A-5A has been measured at 70%-80% power factor. ratings for 5.1A-12A were measured at 80% power factor.

** DC Cold Resistance (Measured at <10% of rated current)

‡ Typical Voltage Drop (Measured at 25°C±3°C ambient temperature at rated current)

TIME CURRENT CURVE



OPTION CODE

Option Code	Description
B	Board Washable - Hermetically sealed to withstand aqueous cleaning
V	Axial leads - brass overcaps with copper and nickel flash, plated in tin lead

PACKAGING CODE

Packaging Code	Description
BK	100 pieces of fuses packed into a cardboard carton
BK8	8,000 pieces of fuses packed into a cardboard carton