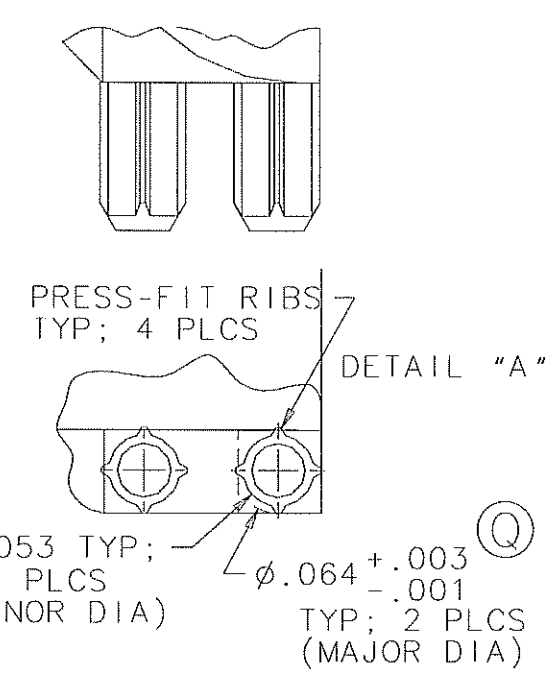
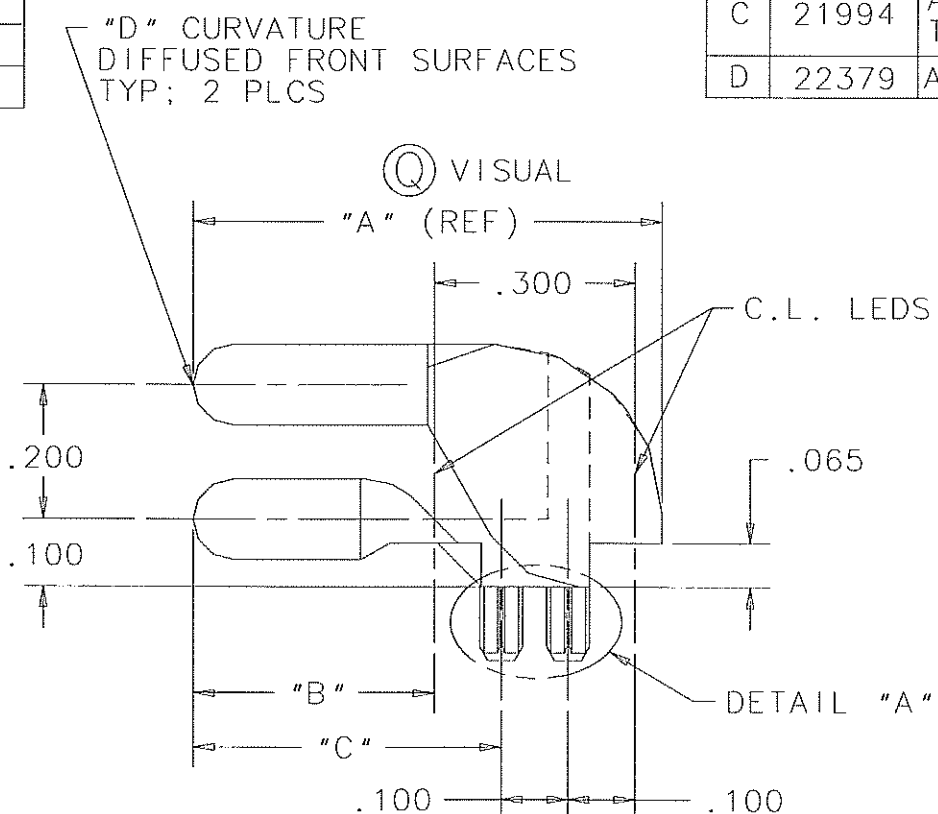
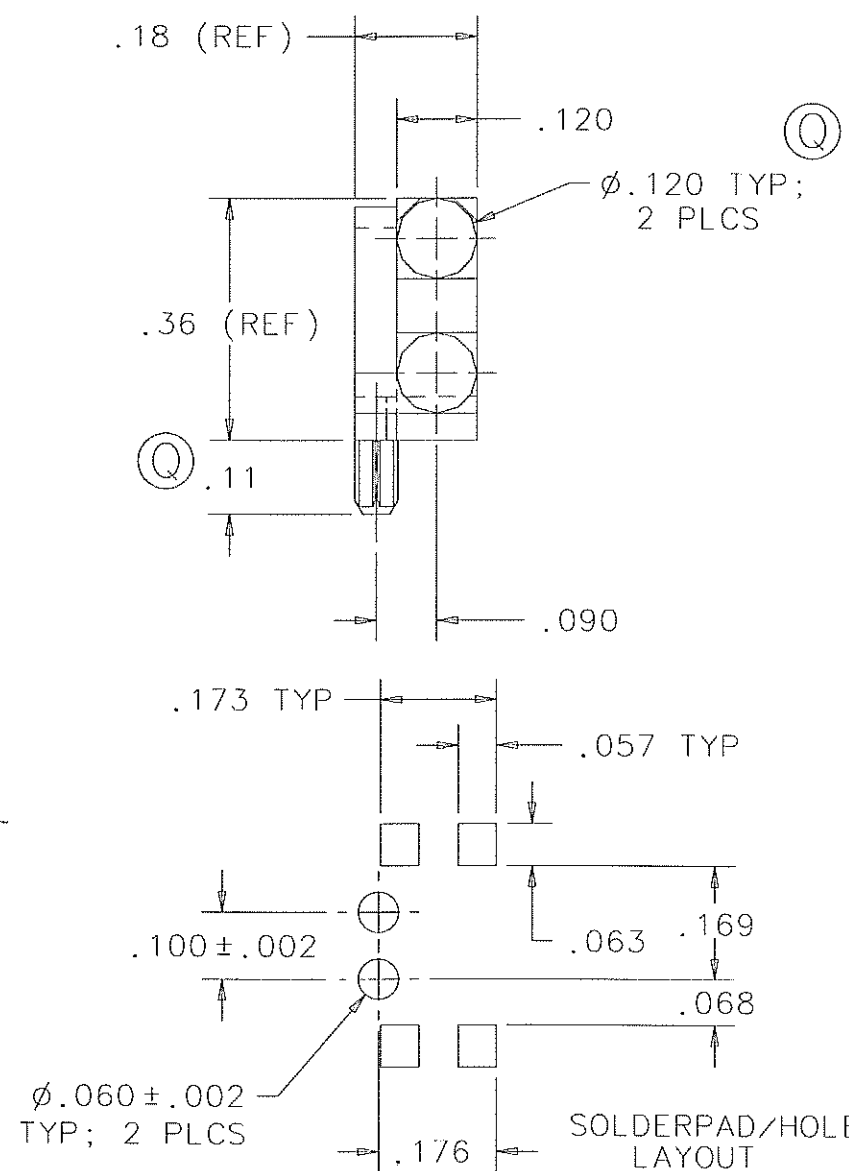


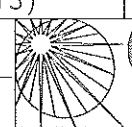
NOTES:

1. COMPONENT TO BE MOLDED IN A UL 94VO CLEAR TRANSMISSIVE POLYCARBONATE.
2. COMPONENT DESIGNED TO BE PRESSED INTO A P.C. BOARD.
3. LIGHTSOURCES: SINGLE OR BICOLOR SMT LEDS (CML SERIES PART NUMBER: 7016X).

REVISIONS			
REV	ECR NO	DESCRIPTION	DATE
A	21143	NEW RELEASE	11-20-01
B	21432	$\phi.064 +.003/- .001$ WAS $\phi.064 +/- .001$.	2-25-02
C	21994	ADDED "UL 94VO" TO NOTE 1.	9-27-02
D	22379	ADDED "Q" TO DIM "A".	5-12-03

PART NUMBER	DIMENSION			
	A (Q)	B	C	"D" (CURVATURE)
7511B58	.70	.360	.460	FULL RADIUS
7511B59	.55	.210	.310	SLIGHT RADIUS



DIM ARE IN INCHES		Q FOR INSPECTION USE ONLY		X SPC DOCUMENTATION REQ. (X R CHARTS)	
THIS DWG IS THE PROPERTY OF CHICAGO MINIATURE LAMP, INC. AND IS PROPRIETARY IN GENERAL AND IN DETAIL. IT SHALL NOT BE COPIED OR ITS CONTENTS REVEALED TO OUTSIDE PARTIES WITHOUT THE WRITTEN CONSENT OF CHICAGO MINIATURE LAMP, INC.		DRAWN BY M.C.	DATE 3-2-01	PART NO SEE CHART	 CHICAGO MINIATURE LAMP, INC. 147 CENTRAL AVE. HACKENSACK, NJ 07601
		CHECKED BY <i>[Signature]</i>	DATE	MODEL NO	
		ENG. APPRV. <i>[Signature]</i>	DATE 5/19/03	MOLD NO	TITLE BI-LEVEL LIGHTPIPE
		UNLESS OTHERWISE SPECIFIED TOLERANCES ON:		MATERIAL NOTE 1	DIST. S
		.XX +/- .015	.XXX +/- .010	FINISH	DWG NO B17213
		ANGLE +/- 1 DEG.			REV D
SDRC FILE NAME: 7511B58.mf1				SCAL F 4:1	SHEET

ORIGINAL
WHEN RED