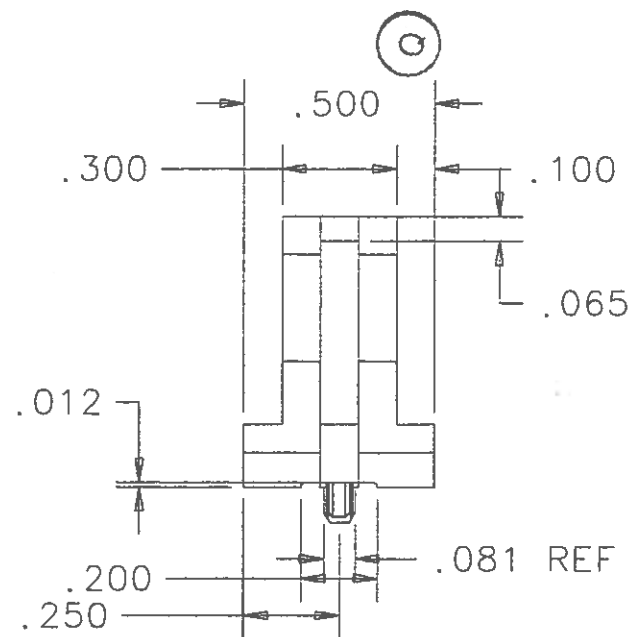
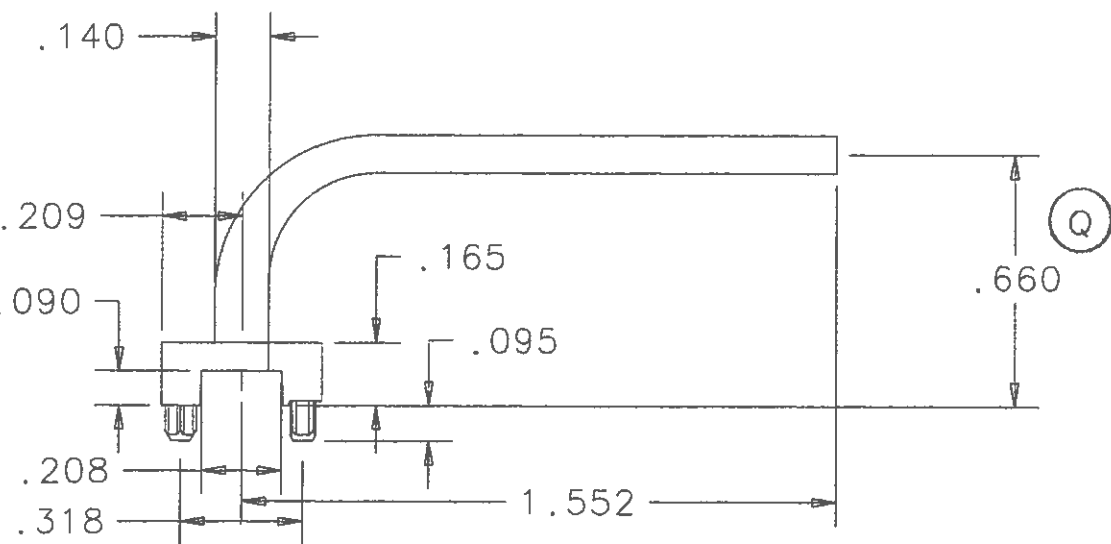
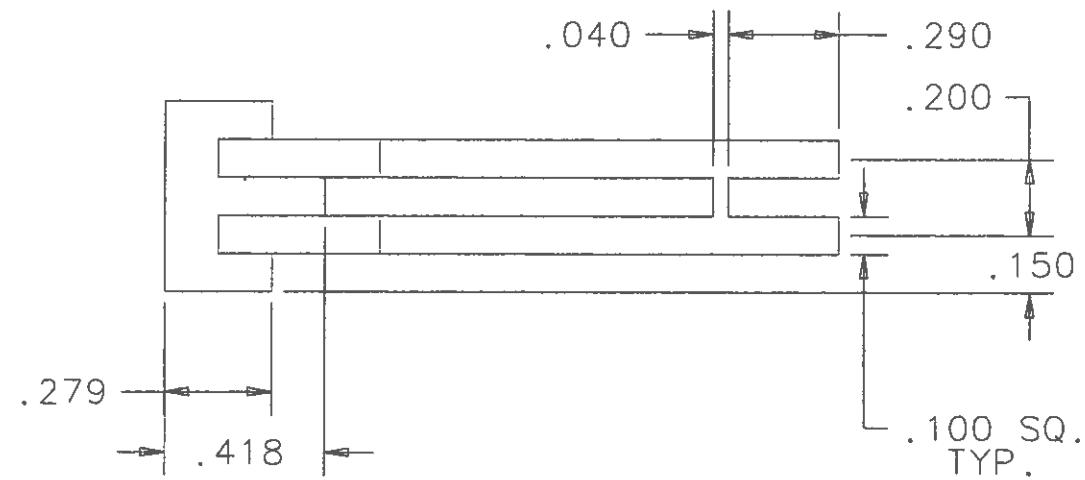
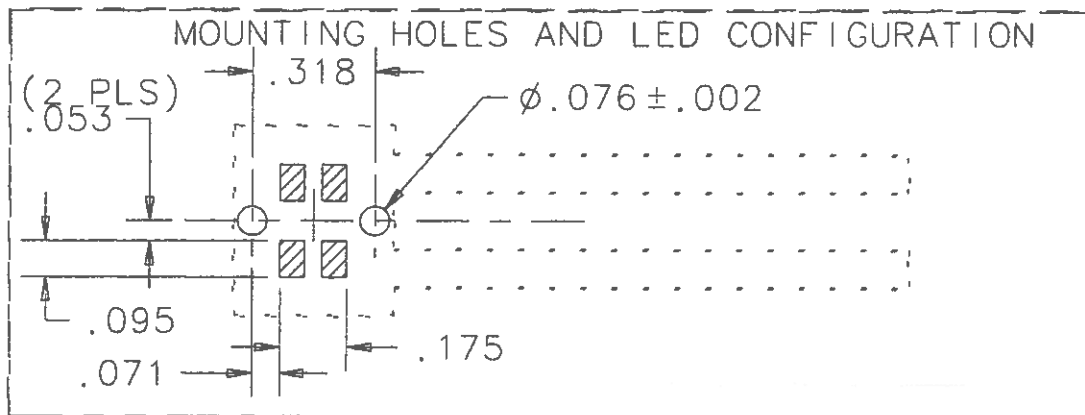
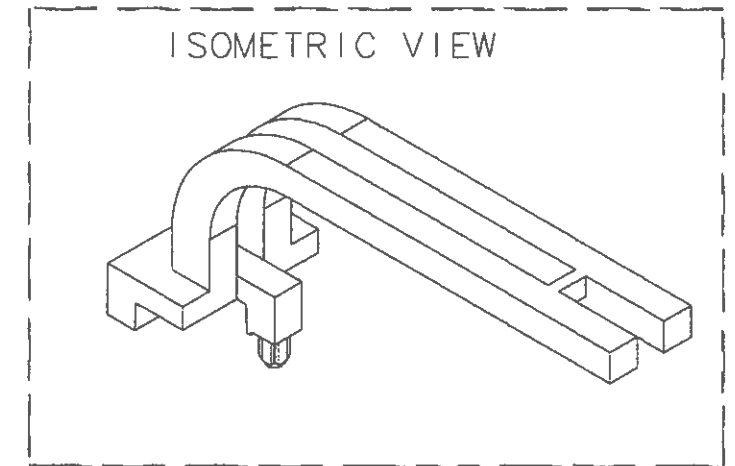


REVISIONS			
REV	ECR NO	DESCRIPTION	DATE
A	19479	NEW RELEASE	8/10/00
B	19562	REDESIGNED (JL)	8/31/00
C	19843	ADD P/N	11/20/00



NOTES:

- 1-MATERIAL:UL 94-V0 APPROVED CLEAR POLYCARBONATE.
- 2-PART TO BE FREE OF BUBBLES AND BLACK SPECKS THAT MAY INHIBIT LIGHT OUTPUT WHEN VIEWED AT THE NORMAL VIEWING ANGLE.
- 3-ALL SURFACES MUST HAVE A FINISH OF 15u INCH UNLESS OTHERWISE SPECIFIED.
- 4-DESIGNED FOR USE WITH CMD67-21 SERIES LEDS.



SDRC FILE NAME: B16674

DIM ARE IN INCHES		Ⓚ FOR INSPECTION USE ONLY		ⓧ SPC DOCUMENTATION REQ. (X R CHARTS)	
THIS DWG IS THE PROPERTY OF CHICAGO MINIATURE LAMP, INC AND IS PROPRIETARY IN GENERAL AND IN DETAIL. IT SHALL NOT BE COPIED OR ITS CONTENTS REVEALED TO OUTSIDE PARTIES WITHOUT THE WRITTEN CONSENT OF CHICAGO MINIATURE LAMP, INC		DRAWN BY JL	DATE 8/00	PART NO	
		CHECKED BY JS	DATE	MODEL NO	7511B43
		ENG. APPRV. JS	DATE	MOLD NO	
UNLESS OTHERWISE SPECIFIED TOLERANCES ON: XX ± .015 XXX ± .010 ANGLE +/- 1 DEG.		MATERIAL	NOTED	CHICAGO MINIATURE LAMP, INC 147 CENTRAL AVE. HACKENSACK, NJ 07601	
		FINISH	NOTED	TITLE 1 PORT 2 POS. RJ-11 LIGHT PIPE	
		SCALE 2:1		DIST. S	DWG NO B16674 REV C
				SHEET	

ORIGINAL