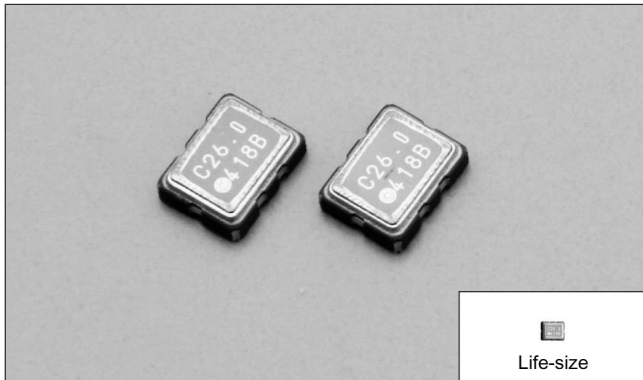


# TEMPERATURE COMPENSATED CRYSTAL OSCILLATOR (SMD • Ceramic Package)

RoHS Compliant Standard

## CSX325T

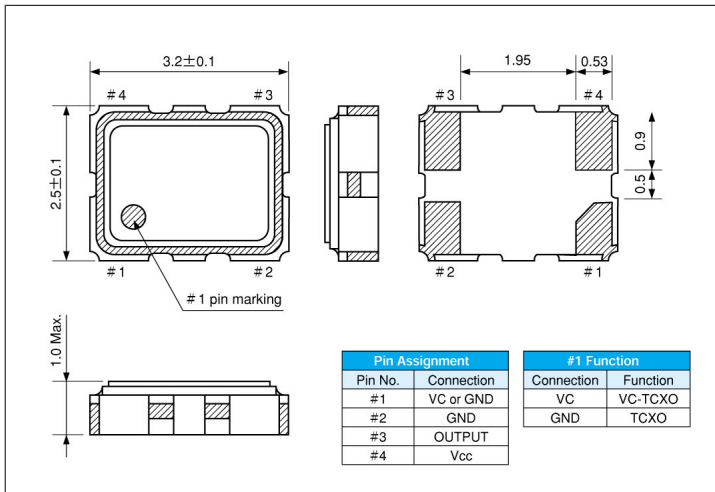
2000pcs/reel



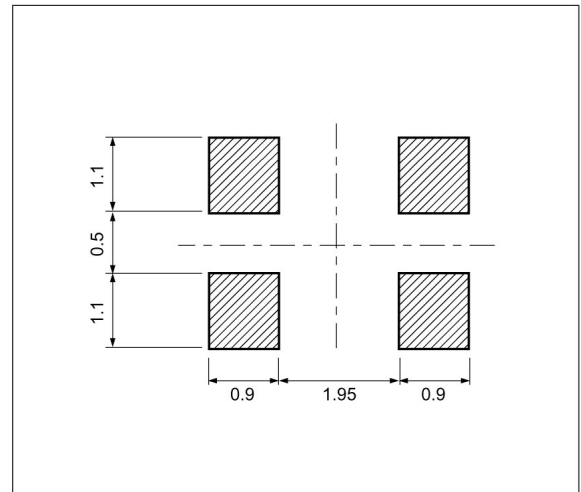
### FEATURES

- High-density SMD type.  
Ultra-light weight and ultra-miniature size.
- With the function of frequency and voltage control.
- Available in 2.4V low voltage drive.
- Low Current consumption.
- Automatic mounting and reflowable Type.
- Complete Pb free product.
- Most appropriate for Cellular phone, GPS and other equipment with telecommunication devices.

### DIMENSION [mm]



### SOLDER PAD LAYOUT [mm]



### STANDARD SPECIFICATIONS

Item	Model	CSX325T	
Nominal Frequency	$f_0$	13.0MHz , 14.4MHz	19.2MHz , 19.68MHz , 26.0MHz , 33.6MHz , 38.4MHz
Frequency Stability	$\Delta f/f_0$	$\pm 2.5\text{ppm} / (-30^\circ\text{C} \sim +75^\circ\text{C})$	
Operating Temperature Range	$T_{\text{OPR}}$	$-30^\circ\text{C} \sim +75^\circ\text{C}$	
Storage Temperature Range	$T_{\text{STR}}$	$-40^\circ\text{C} \sim +85^\circ\text{C}$	
Supply Voltage	$V_{\text{dd}}$	2.4V ~ 3.0V	
Frequency adjustment range	$\Delta f_{\text{VC}}$	$\pm 8\text{ppm Min.} / (V_{\text{cont}}=V_{\text{dd}}/2 \pm 1.0\text{V})$	
Current consumption	$I_{\text{dd}}$	1.5mA Max / (13MHz~19.68MHz) , 2.0mA Max. / (26MHz)	
Output Voltage	$V_{\text{OUT}}$	0.8Vp-p Min. (10k $\Omega$ /10pF)	
Start-up time	$T_{\text{ST}}$	5.0 msec Max.	3.5 msec Max.
Aging (first year)	$F_A$	$\pm 1.0\text{ppm} / \text{year Max.}$	