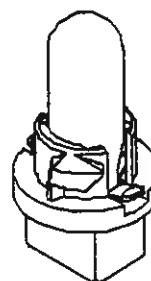
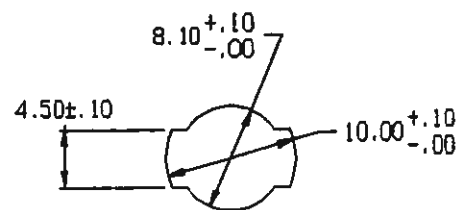
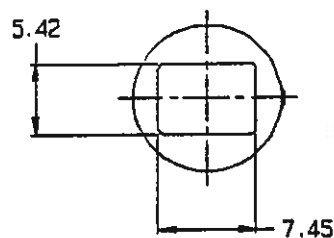
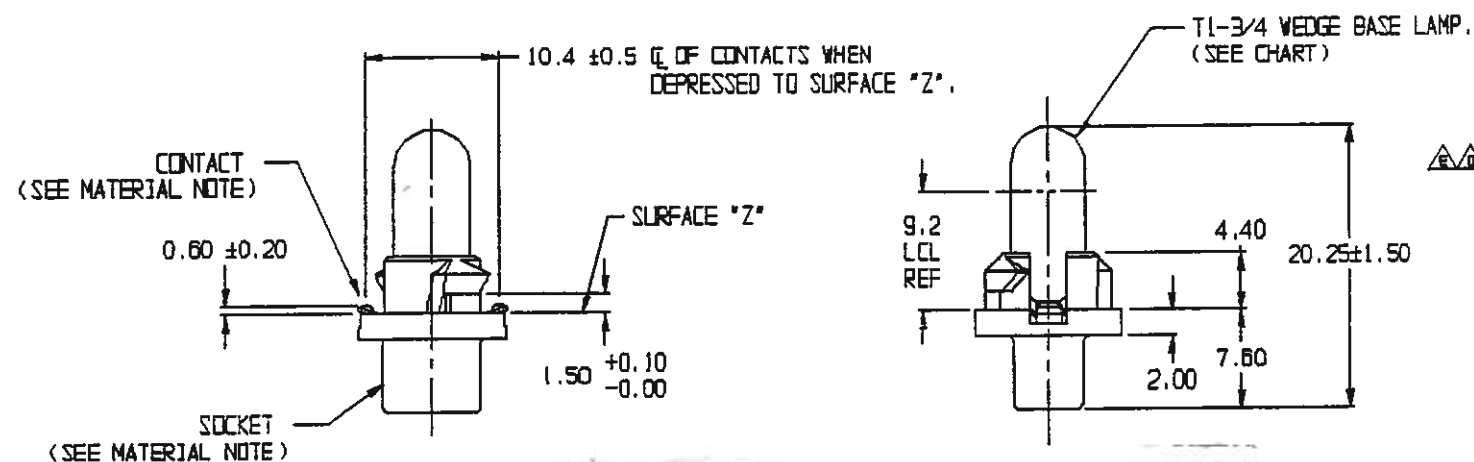
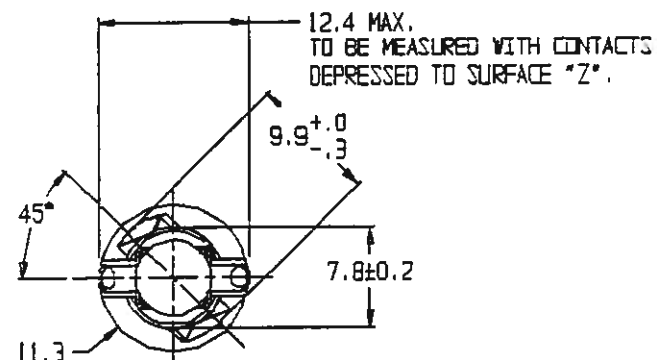


APPLICATION HOLE



TOTAL BOARD THICKNESS: 1.60 ± 0.05



REV	ECR NO./DESCRIPTION	DATE
A	ECR #00247 NEW RELEASE	AUG 16/99
B	ECR #00296 TOL. ± 0.013 (0.005) WAS REMOVED & FILTER VERSION ADDED	SEPT. 25/00
C	ECR #00436 55750703 REPLACES 55750203	MAR 27/02
D	ECR #00452 55750203 REPLACES 55750703	JUL 26/02
E	ECR #00501 REMOVED: GE REF FOR #73 & REF TO SPECIAL PACK	APRIL 24/03

NOTES:
1. MATERIAL:
BODY: HEAT STABILIZED NYLON 6/6
CONTACT: C88800 COPPER ALLOY
HARD TEMPER

LAMP VERSION			
LAMP TRADE NUMBER	SOCKET COLOR	CML (CANADA) PART NUMBER	FILTER COLOR
37	BLACK	55750603	
73	TAN	55750203	
74	BLUE	55750103	
74	BLUE	55750105	BLUE
74	GREY	55750405	BLUE
80	GREY	55750303	

NO LAMP VERSION	
SOCKET COLOR	CML (CANADA) PART NUMBER
GREY	55750302

DIST.
S

F 22470 CANADA UPDATE

REV ECR NO. REV DESCRIPTION/DATE

DWG NO. **B12794** REV. **F**

PART NO. **SEE TABLE**

CHK/APP **RHW/V** DIST. **S**

CHICAGO MINIATURE LAMP, INC.

DO NOT SCALE

THIS DWG IS THE PROPERTY OF CML (CANADA) INC. AND IS PROPRIETARY IN GENERAL AND IN DETAIL. IT SHALL NOT BE COPIED OR ITS CONTENTS REVEALED TO OUTSIDE PARTIES WITHOUT THE WRITTEN CONSENT OF CML (CANADA) INC.

PART NO. 5575 SERIES	TITLE T1-3/4S LAMP & SOCKET ASSEMBLY
MODEL NO.	
VOLD NO.	
MATERIAL: SEE NOTES	CHICAGO MINIATURE LAMP (CANADA) INC. WHERE INNOVATION COMES TO LIGHT 151 JOHN STR. BARRIE, ONTARIO, CANADA
TOLERANCE UNLESS OTHERWISE SPECIFIED:	
MILLIMETERS x.x ± 0.25 (0.010")	DRAWN W.A. CAVEN SCALE: 2:1
ANGLE ± 1 deg.	CHECKED
	ENG. APPRV
	PB-0407 REV E