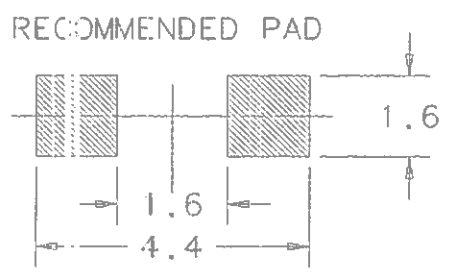
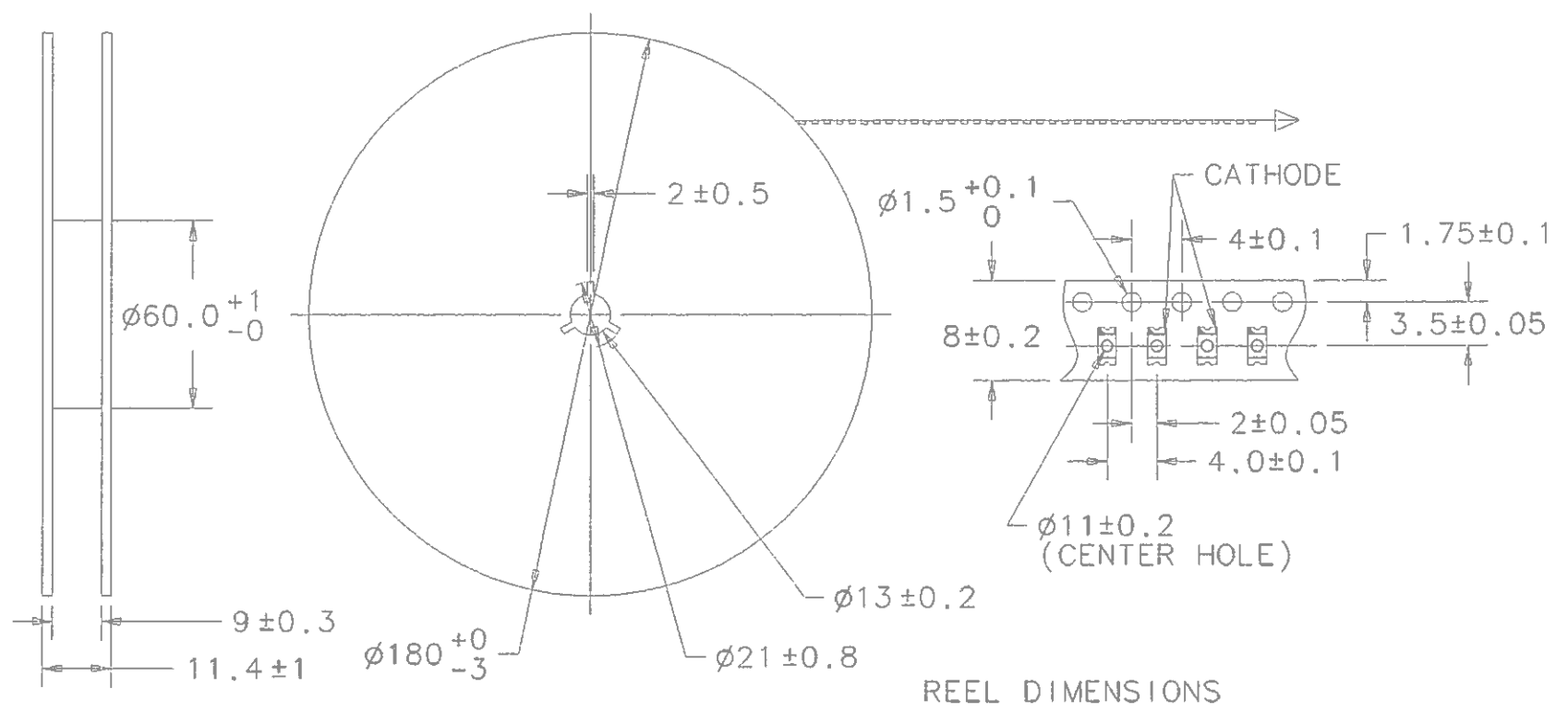
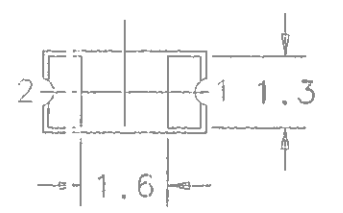
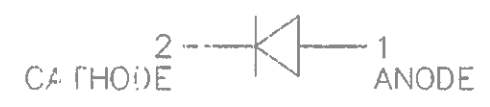
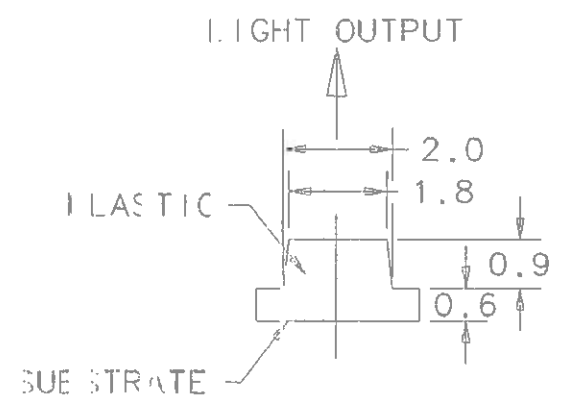


REVISIONS			
REV	ECR NO	DESCRIPTION	DATE
A	20318	NEW RELEASE	
B	20628	REMOVED VENDOR NO'S.	6/25/01



SDRC FILE NAME: B17147

DIM ARE IN MILLIMETERS		<input type="checkbox"/> FOR INSPECTION USE ONLY <input checked="" type="checkbox"/> SPC DOCUMENTATION REQ. (X R CHARTS)	
THIS DWG IS THE PROPERTY OF CHICAGO MINIATURE LAMP, INC AND IS PROPRIETARY IN GENERAL AND IN DETAIL. IT SHALL NOT BE COPIED OR ITS CONTENTS REVEALED TO OUTSIDE PARTIES WITHOUT THE WRITTEN CONSENT OF CHICAGO MINIATURE LAMP, INC	DRAWN BY	DATE	PART NO
	R. HANES	4/16/01	
	CHECKED BY	DATE	MODEL NO
	<i>R. HANES</i>		
ENG. APPRV	DATE	MOLD NO	
<i>W</i>			
UNLESS OTHERWISE SPECIFIED TOLERANCES ON:	MATERIAL		
.XX ± 0.25	FINISH		
.XXX ± 0.25			
ANGLE ± 1°			
CHICAGO MINIATURE LAMP, INC 147 CENTRAL AVE. HACKENSACK, NJ 07601		TITLE SURFACE MOUNT LED	
DIST. V/S	DWG NO B17147	REV B	
SCALE NTS	SHEET 1 OF 2		

ORIGINAL

CMDA1CG7A1Z				CMDA1CY7A1Z				CMDA1AY7A1Z				CMDA1DR7A1Z				SPECIFICATIONS (T _a =25°C)				UNITS
G	Y	Y	R	OUTPUT COLOR																
N	N	N	N	DIFFUSED/NON-DIFFUSED																
C	C	C	C	PACKAGE COLOR																
20	20	20	20	RATED CURRENT												mA				
2.1	2.2	2.1	1.7	FORWARD VOLTAGE TYP												V				
2.5	2.5	2.5	2.0	FORWARD VOLTAGE MAX												V				
100	100	100	100	REVERSE CURRENT MAX												μA				
4	4	4	4	REVERSE VOLTAGE MAX (I _R =100μA)												V				
6.0	3.0	12.0	12.0	LUMINOUS INTENSITY MIN												mcd				
12.0	6.0	24.0	33.6	LUMINOUS INTENSITY TYP												mcd				
560	580	570	660	WAVELENGTH PEAK TYP												nm				
567		572	647	DOMINANT WAVELENGTH												nm				
75	75	75	60	POWER DISSIPATION MAX												mW				
30	30	30	30	FORWARD CURRENT MAX												mA				
70	70	70	70	PEAK FORWARD CURRENT MAX(NOTE 2)												mA				
30	30	30	30	SPECTRAL LINE HALF WIDTH TYP												nm				
70	70	70	70	VIEWING ANGLE												DEG				
-30 + 85			OPERATING TEMPERATURE												°C					
-40 + 100			STORAGE TEMPERATURE												°C					
	3.0			RANK A LUMINOUS INTENSITY		MIN	MAX							mcd						
	6.0			RANK B LUMINOUS INTENSITY		MIN	MAX							mcd						
	4.2			RANK C LUMINOUS INTENSITY		MIN	MAX							mcd						
	8.4			RANK D LUMINOUS INTENSITY		MIN	MAX							mcd						
6.0	6.0	12.0	12.0	RANK E LUMINOUS INTENSITY		MIN	MAX							mcd						
12.0	12.0	24.0	24.0	RANK F LUMINOUS INTENSITY		MIN	MAX							mcd						
8.5	8.4	16.8	16.8	RANK G LUMINOUS INTENSITY		MIN	MAX							mcd						
17.0	16.8	33.6	33.6			MIN	MAX							mcd						
12.0	12.0	24.0	24.0			MIN	MAX							mcd						
24.0	-	48.0	48.0			MIN	MAX							mcd						
17.0		33.6	33.6			MIN	MAX							mcd						
34.0		67.2	67.2			MIN	MAX							mcd						
24.0		48.0	48.0			MIN	MAX							mcd						
-		-	-			MIN	MAX							mcd						

REVISIONS			
REV	ECR NO	DESCRIPTION	DATE
A	20318	NEW RELEASE	
B	20628	REMOVED VENDOR No'S.	6/25/01

NOTES:

- ALL DIMENSIONS ARE IN MM
- PULSE WIDTH ≤ 1msec., DUTY ≤ 1/20
DERATE LINEARLY FROM 25°C
0.42mA/°C(DC), 0.93mA/°C(PULSE)
- QUANTITY ON TAPE-2500 PCS/REEL
- COVER TAPE ADHESIVE STRENGTH SHALL BE 30-60g
(ANGLE BETWEEN CARRIER TAPE AND COVER TAPE SHALL BE 10°)
THE TAPE SHALL BE SO SEALED THAT THE CONTAINED DEVICES WILL NOT COME OUT FROM THE TAPE WHEN IT IS BENT AT A RADIUS OF 15mm
- NAME OF CHICAGO MINIATURE LAMP, INC., PART NUMBERS AND QUANTITY SHALL BE STATED ON THE BOX OR BAG. THERE SHALL BE NO REVERSED-ORIENTATION, NO UPSIDE DOWN PLACING, AND NO SIDE PLACING

SHIPPING INFORMATION

- LED'S SHALL BE SORTED INTO FIVE RANKS OF LUMINOUS INTENSITY
- RANK MARKING SHALL BE INDICATED IN THE SPACE OF LOT NO. ON THE PRODUCT LABEL.
- EACH SHIPPING LOT SHALL CONSIST OF MIXED RANKS AND THE QUANTITY OF EACH CAN NOT BE SPECIFIED

CML LED COLOR CODE
A-AMBER
O-ORANGE
C-CLEAR
R-RED
Y-YELLOW
G-GREEN
GY-GREEN/YELLOW
D-DIFFUSED
N-NON-DIFFUSED

SDRC FILE NAME: B17147

DIM ARE IN MILLIMETERS		① FOR INSPECTION USE ONLY		② SPC DOCUMENTATION REQ. (X R CHARTS)	
THIS DWG IS THE PROPERTY OF CHICAGO MINIATURE LAMP, INC AND IS PROPRIETARY IN GENERAL AND IN DETAIL. IT SHALL NOT BE COPIED OR ITS CONTENTS REVEALED TO OUTSIDE PARTIES WITHOUT THE WRITTEN CONSENT OF CHICAGO MINIATURE LAMP, INC		DRAWN BY R. HANES	DATE 4/16/01	PART NO	
		CHECKED BY <i>RH</i>	DATE 7/10/01	MODEL NO	
		ENG. APPRV <i>NS</i>	DATE	MOLD NO	
		UNLESS OTHERWISE SPECIFIED TOLERANCES ON:		MATERIAL	
		.XX ±0.25		FINISH	
		.XXX ±0.25			
		ANGLE ± 1°			
CHICAGO MINIATURE LAMP, INC 147 CENTRAL AVE. HACKENSACK, NJ 07601			TITLE SURFACE MOUNT LED		
DIST. v/s		DWG NO B17147		REV B	
SCALE NTS			SHEET 2 OF 2		

ORIGINAL