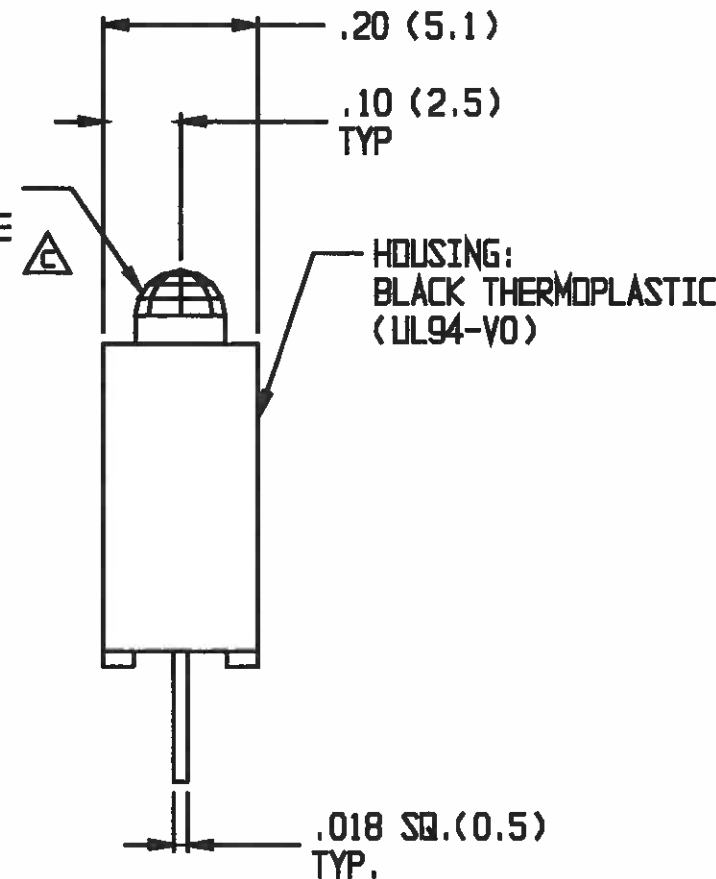
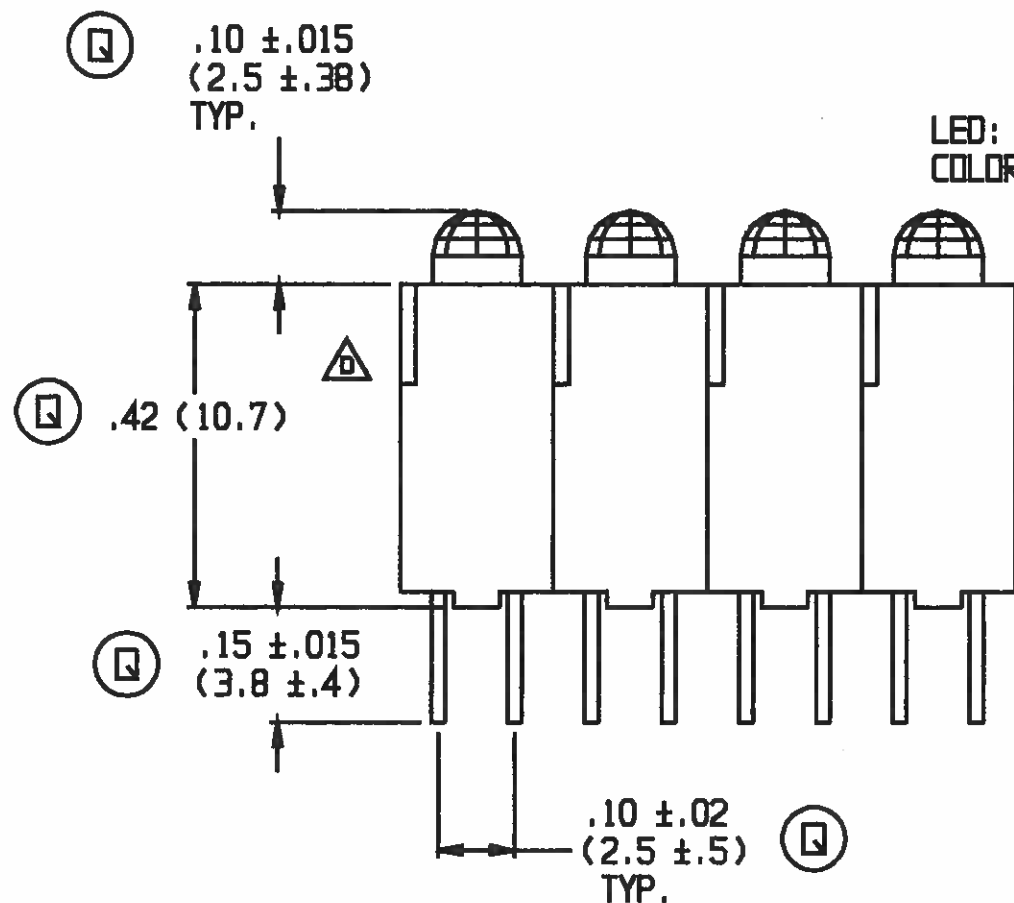
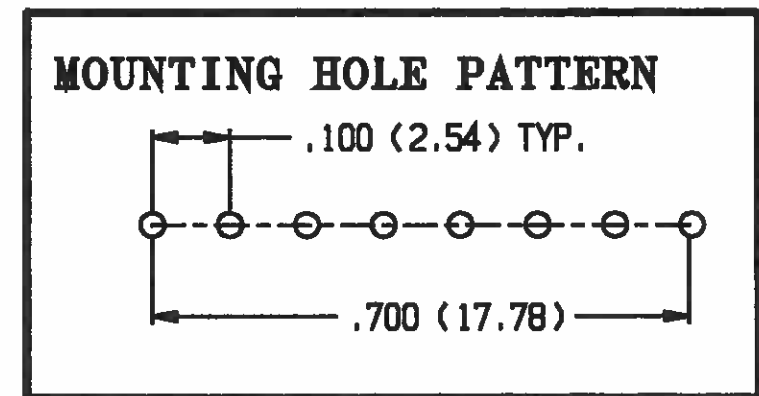


MOD#	LED #	LED COLOR
6321A9	4303F25	GREEN
6321A7	4301F1/5-A	RED/GREEN

REV	ECR NO./DESCRIPTION	DATE
A	11639 NEW RELEASE	5-16-95
B	12155 FR CHANGED TO SALES DWG.	9/22/95
C	12262 HM ADDED 6321A7	10/4/95
D	21289 RHW REVISED PER MARKED-UP PRINT.	01/14/02



ORIGINAL  
WHEN RED



DEST.  
S

NOTES:

- 1- ALL DIMENSIONS ARE IN INCHES (MM)
- 2- BI-COLOR LED IS TO LIGHT RED WHEN POSITIVE VOLTAGE IS APPLIED TO LEFT LEAD (ORIENTATION NOTCH)

ⓐ FOR INSPECTION USE ONLY  
ⓧ SPC DOCUMENTATION REQ. (X R CHARTS)

DO NOT SCALE

THIS DWG IS THE PROPERTY OF CHICAGO MINIATURE LAMP INC. AND IS PROPRIETARY IN GENERAL AND IN DETAIL. IT SHALL NOT BE COPIED OR ITS CONTENTS REVEALED TO OUTSIDE PARTIES WITHOUT THE WRITTEN CONSENT OF CHICAGO MINIATURE LAMP INC.

PART NO. -	TITLE	STACKABLE T-1 LED BLOCKS ( 4 POSITIONS ) FOR NEWBRIDGE	
MODEL NO. SEE TABLE		<b>CHICAGO MINIATURE LAMP INC.</b> 147 CENTRAL AVE. HACKENSACK, NJ 07601	
MATERIAL -			
FINISH -		DRAWN F. RYAN	SCALE: 4 : 1
TOLERANCE UNLESS OTHERWISE SPECIFIED:		CHECKED <i>Rhili/02</i>	B12730
FRACTION ± 1/64		ENG. APPRV <i>W</i>	
INCHES .XX ± .010 (0.3)			
ANGLE ± 1 deg.			