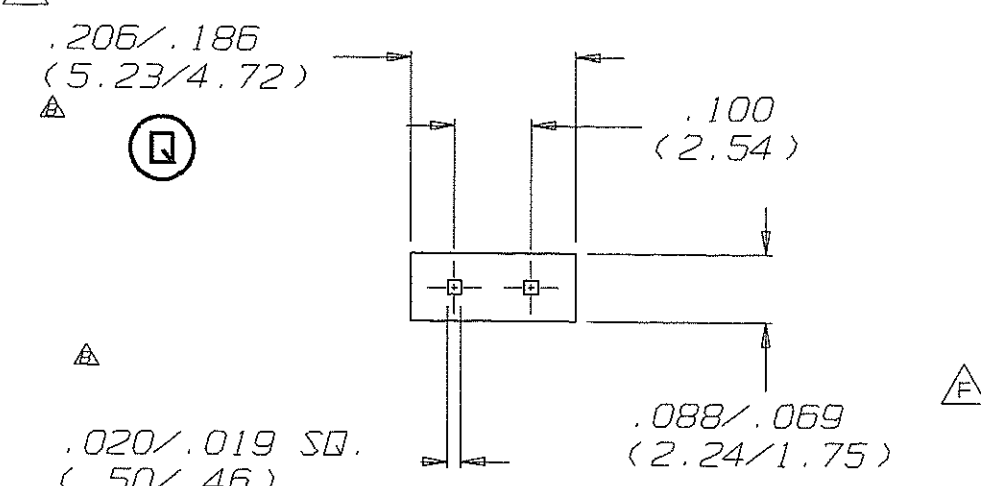
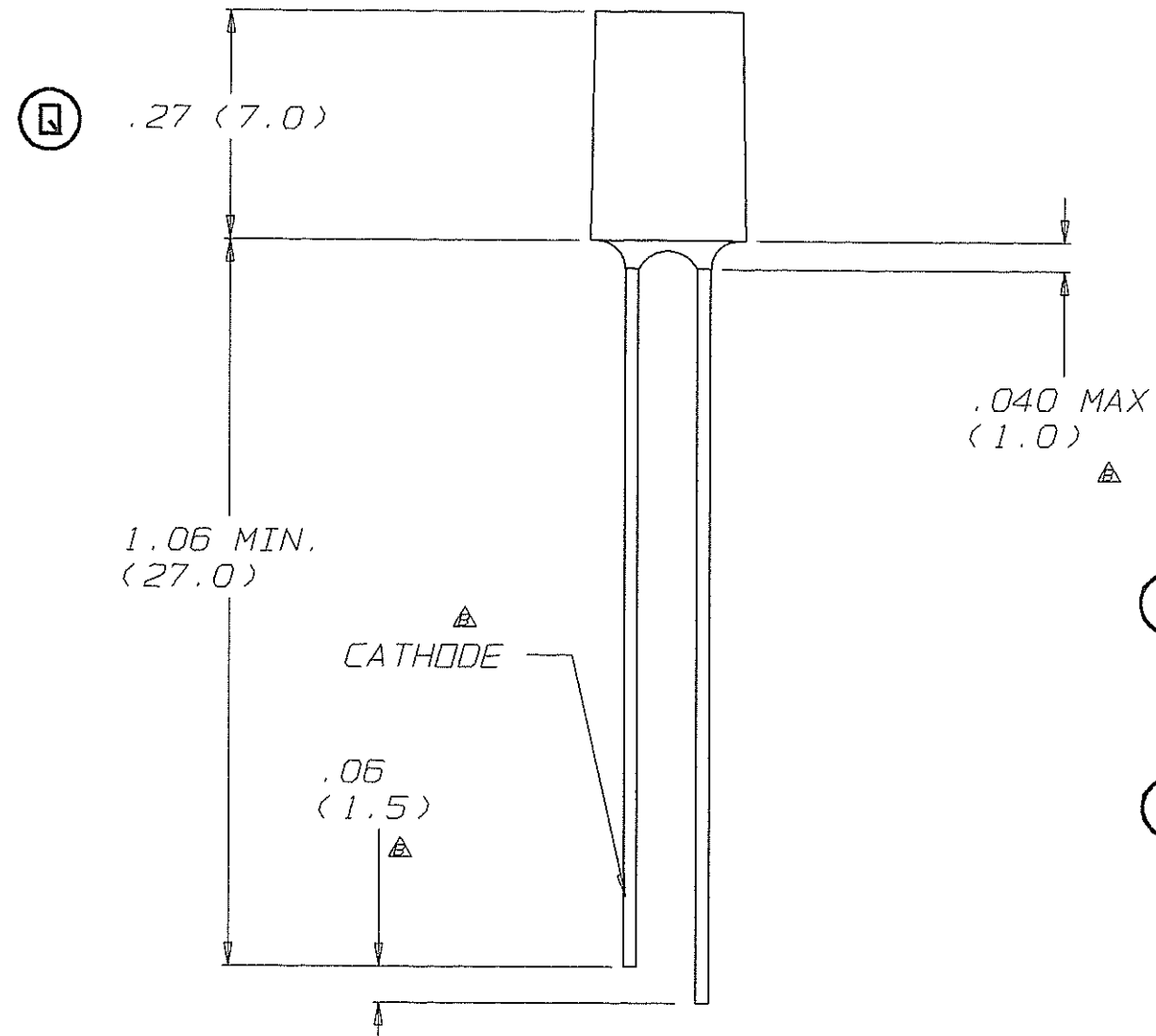


ORIGINAL



CML COLOR CODE
 A-AMBER
 CL-CLEAR
 R-RED
 Y-YELLOW
 B-BLUE
 G-GREEN
 D-DIFFUSED
 N-NON DIFFUSED

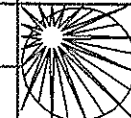
DO NOT SCALE

REV	ECR NO./DESCRIPTION	DATE
A	6258 NEW RELEASE	12/10/91
B	6442 REVISED PER Δ B	1/23/92
C	7261 J.R. REVISED PER Δ C	7/27/92
D	7581 J.R. REVISED PER Δ D	10/7/92
E	14662 JCB ADD PEAK WAVELENGTH	5/28/97
F	15383 KB UPDATED DWG TO MEET SPECS.	11/18/97

SPECIFICATIONS	4306 D23	4306 D23-635	Δ
OUTPUT COLOR	A	A	
DIFFUSED/NON DIFFUSED	D	D	
PACKAGE COLOR	A	A	
VIEWING ANGLE (DEG.)	110	110	Δ Δ
MIN. LUM. INTENSITY AT RATED CURRENT (mcd)	2.0	2.0	Δ
TYP. LUM. INTENSITY AT RATED CURRENT (mcd)	12.5	12.5	Δ Δ
RATED CURRENT (mA)	10	10	Δ
FORWARD VOLTAGE TYP. (Vf)	2.0	2.0	Δ Δ Δ
PEAK WAVELENGTH (nm)	625	625	Δ Δ

\square FOR INSPECTION USE ONLY
 \otimes SPC DOCUMENTATION REQ. (X R CHARTS)

DIST.
 V/S

PART NO.	TITLE	LED DWG. IDI 4306D23	
MODEL NO.			
MOLD NO.			
MATERIAL:		 CHICAGO MINIATURE LAMP INC. 147 CENTRAL AVE. HACKENSACK, NJ 07601	
FINISH:			
TOLERANCE UNLESS OTHERWISE SPECIFIED:	DRAWN <i>E. PINTO</i>	SCALE: 4/1	
FRACTION 1/64	CHECKED <i>[Signature]</i>		
DECIMAL .xx +/- .010 .xxx +/- .010	ENG. APPR. <i>[Signature]</i>		
MILLIMETER .x 3mm .xx 3mm			
ANGLE 1/2 deg.			
		B10463	REV F