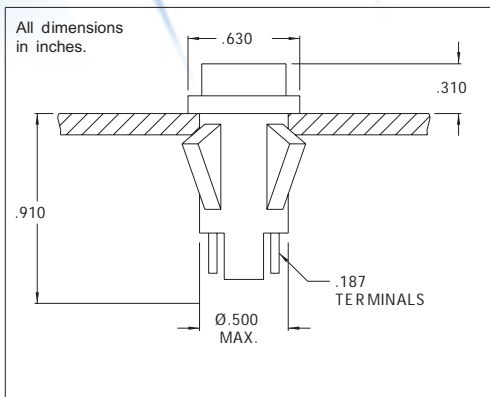


**1050QC, 1051QC, 1052QC, 1053QC and 1090QC Series Non-Relampable  
 Neon-Incandescent Indicator Lights**

**DESCRIPTION AND FEATURES**



Mounting: Will snap-fit into Ø.500/.505 hole in panels .020/.100 thick. Push-on speednut SN0461 also available.  
 Mounting hole pattern on page SP2.

Terminals: Tinned brass

Lens: Polycarbonate

Bezel: Polished stainless steel.  
 For black finish add "X" after the series letter(s).

Housing: White Nylon

| Lens Color | Neon                   |                      | Incandescent    |                 |
|------------|------------------------|----------------------|-----------------|-----------------|
|            | Model No. (105-125VAC) | Model No. (208-250V) | Model No. (12V) | Model No. (28V) |
| Red        | 1050QC1                | 1051QC1              | 1090QC1-12V     | 1090QC1-28V     |
| Clear      | 1050QC2                | -                    | -               | -               |
| Amber      | 1050QC3                | 1051QC3              | 1090QC3-12V     | 1090QC3-28V     |
| White      | 1050QC4                | 1051QC4              | 1090QC4-12V     | 1090QC4-28V     |
| Green      | 1052QC5*               | 1053QC5*             | 1090QC5-12V     | 1090QC5-28V     |
| Lamp used  | C2A+R resistor         | C2A+R resistor       | #2162           | #2187           |

\* Incorporates G2B lamp and resistor.  
 Underwriters Laboratories (UL) File No. E20325  
 Canadian Standards Association (CSA) File No. LR13346