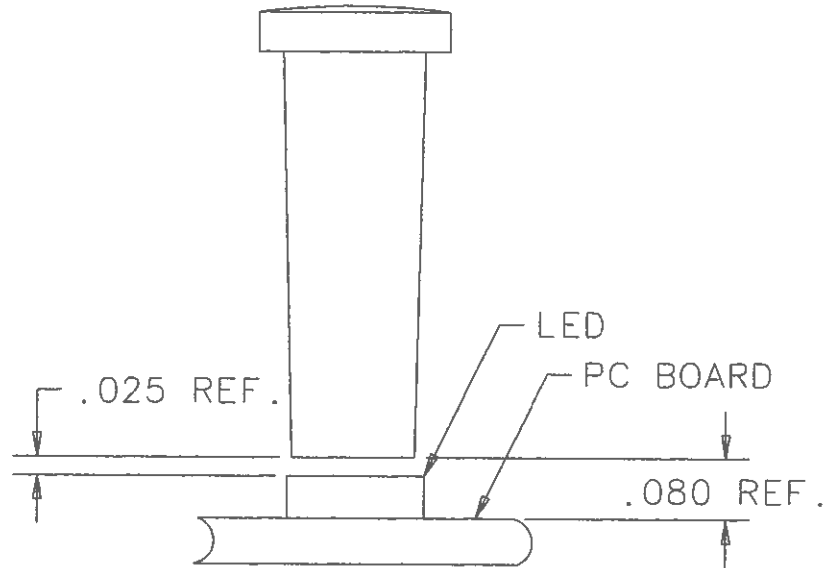
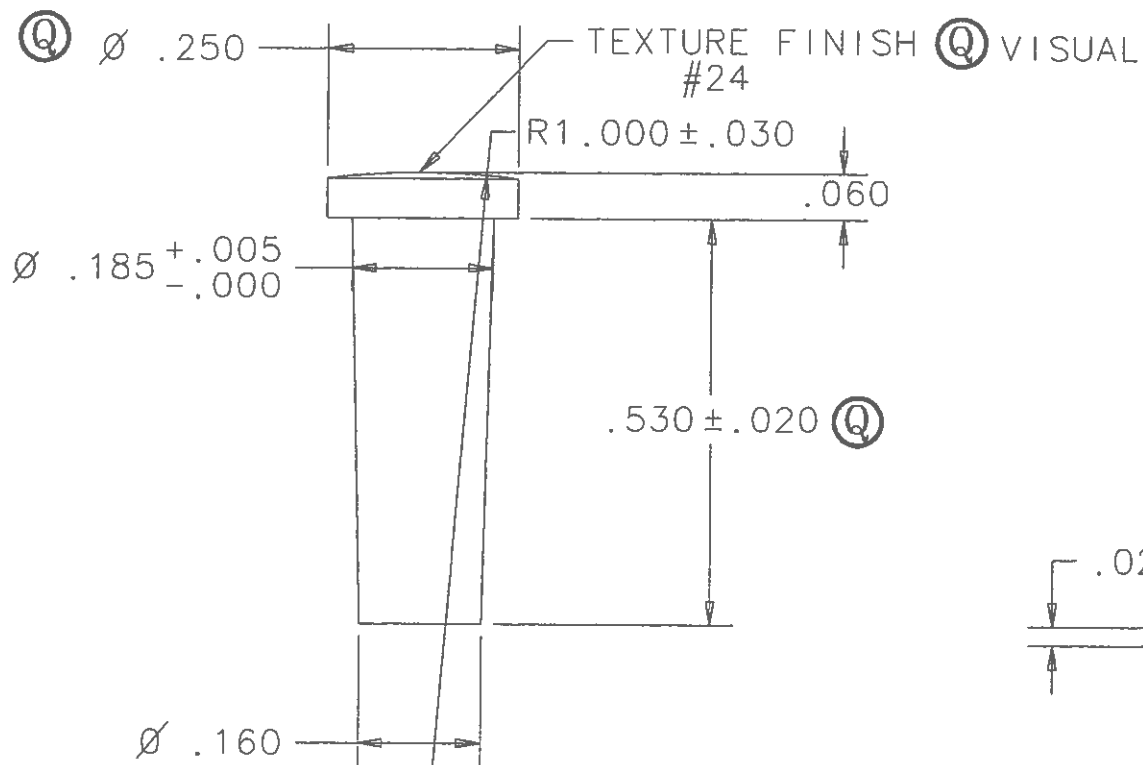


REVISIONS			
REV	ECR NO	DESCRIPTION	DATE
A	16926	NEW RELEASE	10/5/98
B	17117	CHG'D DIST KB	11/12/98

NOTES:

1. LIGHTPIPE TO BE MOLDED IN A CLEAR 94-VO POLYCARBONATE.
- ② 2. COMPONENT TO BE FREE OF IMPERFECTIONS WHICH WOULD INTERFERE WITH THE DESIGNED LIGHT OUTPUT.



DIM ARE IN INCHES		② FOR INSPECTION USE ONLY		③ SPC DOCUMENTATION REQ. (X R CHARTS)	
THIS DWG IS THE PROPERTY OF CHICAGO MINIATURE LAMP, INC AND THE PROPRIETARY IN GENERAL AND IN DETAIL. IT SHALL NOT BE COPIED OR ITS CONTENTS REVEALED TO OUTSIDE PARTIES WITHOUT THE WRITTEN CONSENT OF CHICAGO MINIATURE LAMP, INC	DRAWN BY	DATE	PART NO	7511A86	
	K. BARRETT	11/12/98	MODEL NO		
	CHECKED BY	DATE	MOLD NO		
	APPROV.	DATE	MATERIAL	SEE NOTE 1	
UNLESS OTHERWISE SPECIFIED TOLERANCES ON:			FINISH	NOTED	
.XX +/- .010					
.XXX +/- .010					
ANGLE +/- 1 DEG.					
SDRC FILE NAME : 7511A86_1198_KB.MF1		TITLE		CHICAGO MINIATURE LAMP, INC	
		147 CENTRAL AVE. HACKENSACK, NJ 07601			
		VERTICAL LIGHTPIPE			
		DIST. S	DWG NO	REV B	
		SCALE 4 : 1	B15413		
		SHEET 1 OF 1			

ORIGINAL