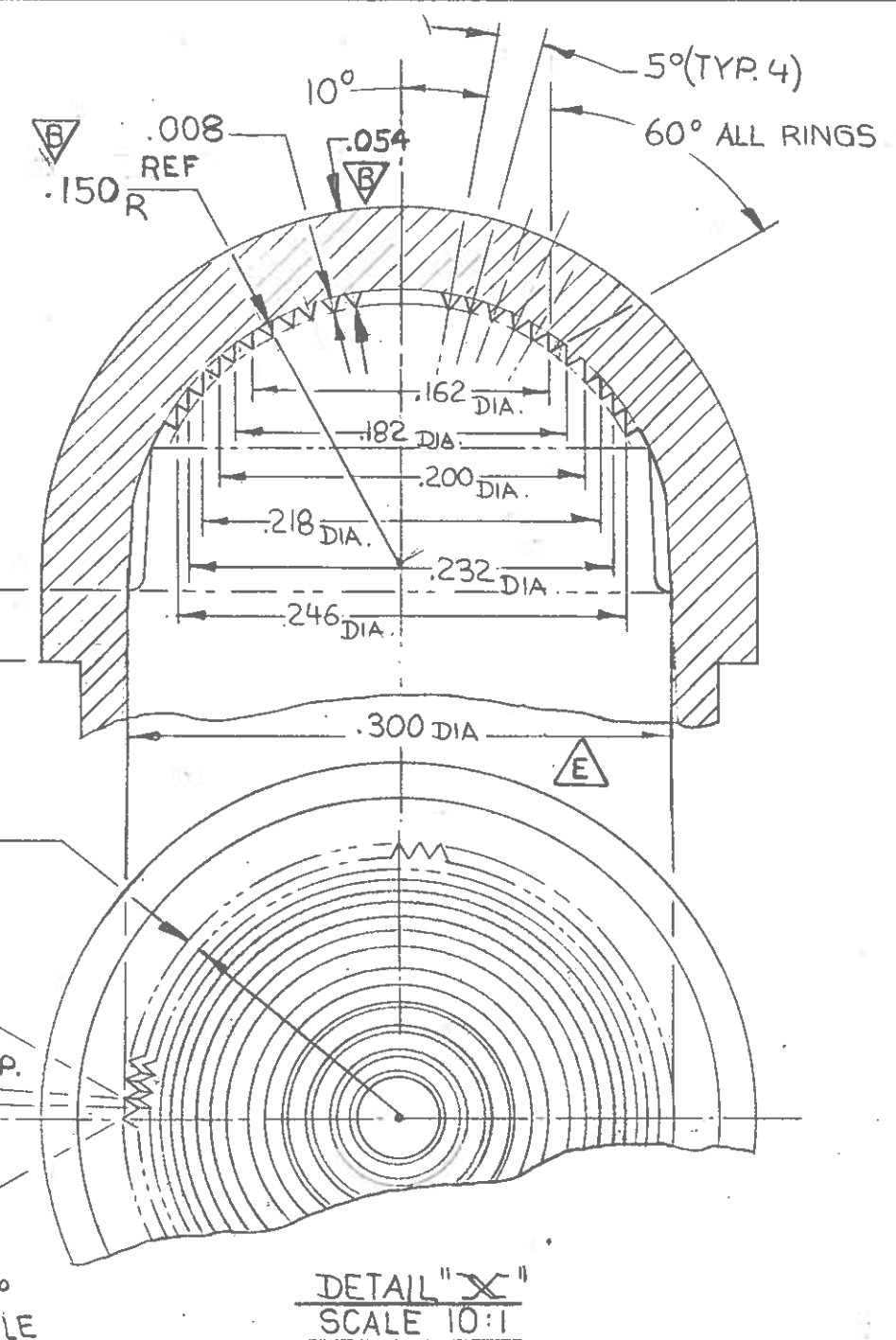
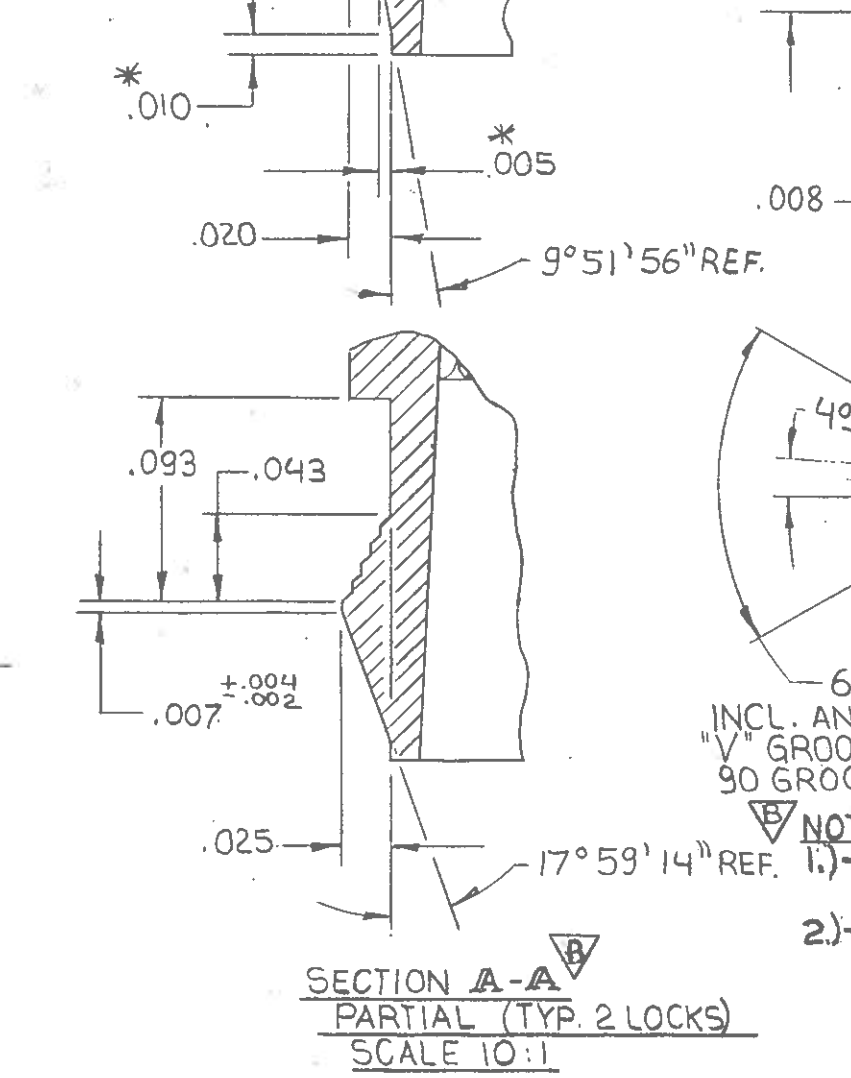
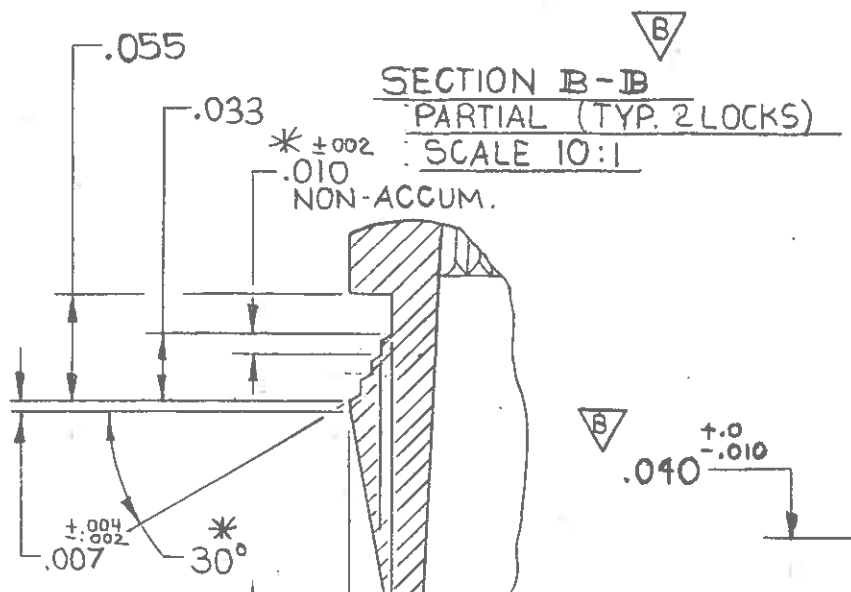
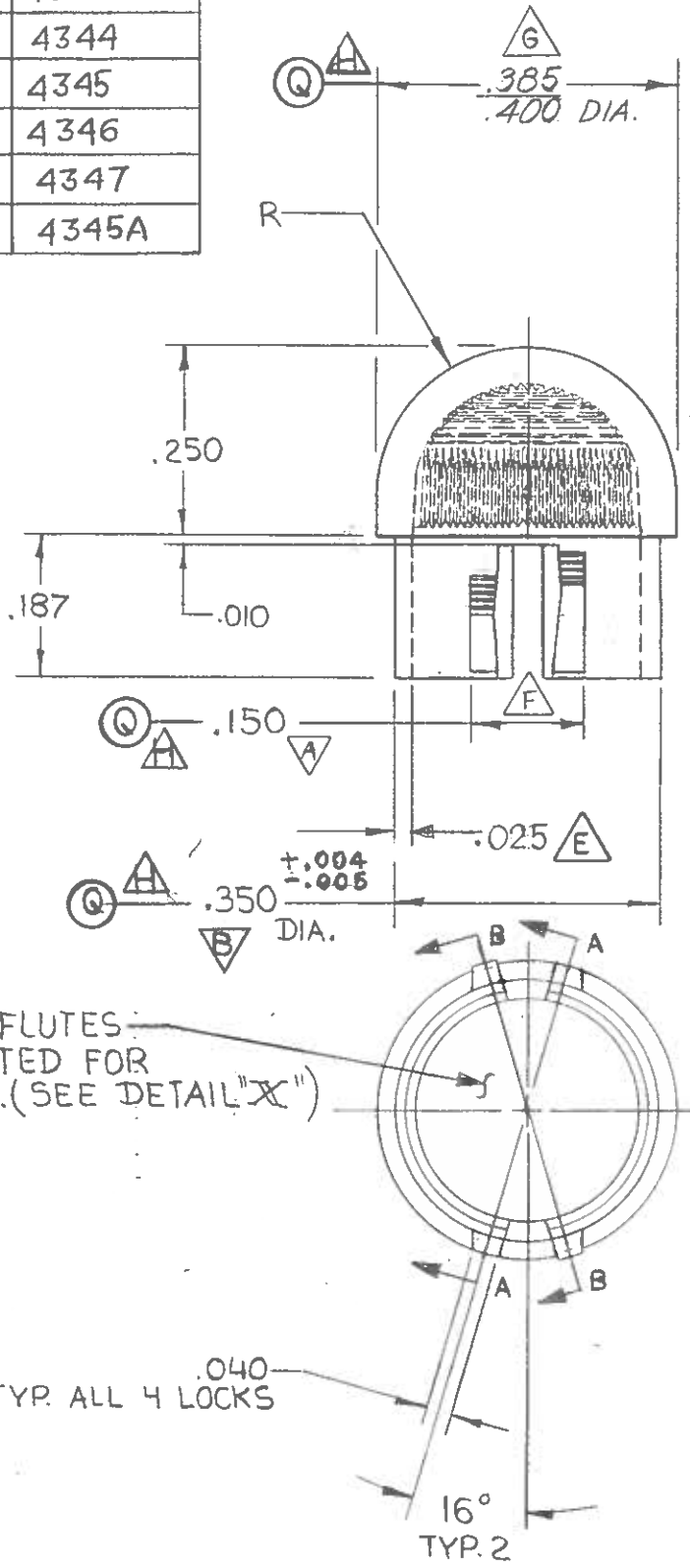


LENS COLOR	MODEL NUMBER
RED	4341
CLEAR	4342
AMBER	4343
WHITE	4344
GREEN-55	4345
BLUE	4346
YELLOW	4347
GREEN-05	4345A

REVISIONS	
ECN 1676 OMIT CHAMFER ADD. DIM. .150, 30° WAS 6-9-81 T.K.	A
ECN-1721 ADD. DIM. .054 ADD. NOTES 1&2 DIM. .040 WAS .010 LOCKS REVERSED SECT'S, REVERSED SEE ECN DIM. .150 CHANGED TO REF. ADD. TOL.; DIM .350 $\pm .005$ WAS .350 10-23-81 J.P./M.	B
ECN 2081 ADD. MAT'L. COLOR * -55 FOR GREEN. 10-10-83 R.M.	C
ECN2764. ADDED LENS COLOR/MODEL SPEC BOX. BAC 12-4 -86	D
ECN2793. .025 WAS .015 + 3° DIS BAC1-12-87	E
ECN 2903. REVISED PER ECN BAC 4-21-87	F
ECN 3567 DIM .385 / .400 DIA WAS .392 8-2-89 J.B.	G
ECR 9293 ADDED "Q" TO DIM 7/17-93 M.H.	H



60° INCL. ANGLE "V" GROOVES
90 GROOVES ALL AROUND.

NOTE: INSTALLATION & REMOVAL SPECS.
1.) -25 LB. MAX. INSERTION PRESSURE INTO PANEL.
2.) -5 LB. MIN. REMOVAL FORCE FROM PANEL.

DIST. M

SNAP-IN LENS FOR LED
T=1 3/4 SIZE
MOD# 4340 SERIES

INDUSTRIAL DEVICES, INC.
EDGEWATER, NEW JERSEY

DRAWN BY R.M.
DATE 2-5-81
SCALE 4:1 & NOTED

CHECKED BY T.K.
DATE 3-24-81
B-8106

BRUNING 40-105 49106

* DIM.'S TYP. ON ALL 4 LOCKS

Q FOR INSPECTION USE ONLY X SPC DOCUMENTATION REQ.

DIMENSION	UNLESS OTHERWISE SPECIFIED TOLERANCES ARE:
INCHES (MILLIMETERS)	FRACTIONAL ± .015, 2 PLACE DECIMAL ± .010, 3 PLACE DECIMAL ± .005 (1 PLACE DECIMAL ± .3MM, 2 PLACE DECIMAL ± .13MM) ANGULAR ± 1/2°