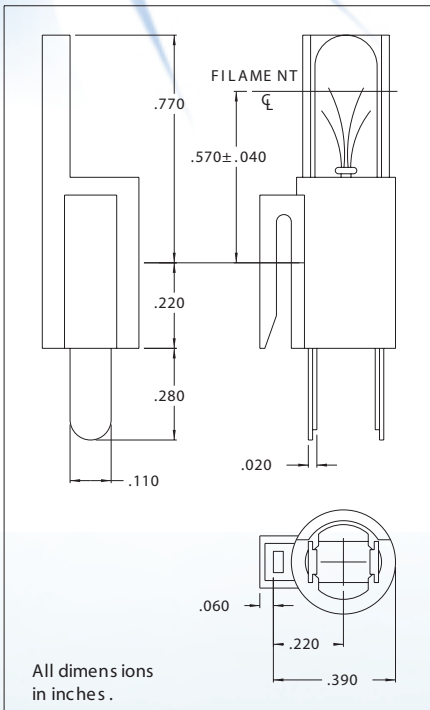


4150,4150R and 4150L Series Relampable Socket

DESCRIPTION AND FEATURES



- Mounting: Snap-on edge or center
- Mounting pattern on page S P 1.
- Terminals: Tinned brass
- Housing: White nylon
- Lamp: T-1 3/4 Wedge base
- Note: Lamps must be ordered separately.

| SOCKET NO. | LIGHT SHIELD |
|------------|-----------------------|
| 4150L | LEFT HAND |
| 4150R | RIGHT HAND AS (SHOWN) |
| 4150 | NONE |