

# KT Series Right Angle Sealed Tact Switch for SMT



## Features/Benefits

- High shear force with extended bracket
- Easy to pick & place with top plate tab
- Rubber or hard plastic actuator
- Press fit or snap fit caps
- IP 57
- RoHS compliant and compatible

## Typical Applications

- Telecommunications
- Computer products
- Instrumentation
- Power supply

## Specification

CONTACT ARRANGEMENT: SPST, N.O.  
TERMINALS: Gullwing type for SMT

## Electrical

CONTACT RATING: 1.0 VA max. @ 32 V AC or DC max.  
ELECTRICAL & MECHANICAL LIFE: 100,000 make-and-break cycles at full load.  
DIELECTRIC STRENGTH: 250 Vrms min. @ sea level.  
CONTACT RESISTANCE: Below 50 mΩ typ. initial @ 2-4 V DC, 100 mA.  
INSULATION RESISTANCE: 10<sup>9</sup> Ω min.

## Environmental

OPERATING TEMPERATURE: -40°C to 90°C

## Process

SOLDERABILITY: Per MIL-STD-202F method 208D, or EIA RS-186E method 9 (1 hour steam aging).  
DEGREE OF PROTECTION: IP57; protection against harmful dust deposits, full-scale voltage protection.

## Packaging

Switches supplied in anti-static tape and reels per EIA 481-2. Tape and cover strip are conductive for use near statically sensitive components.

**NOTE:** Specifications listed above are for switches with standard options. For information on specific and custom switches, consult Customer Service Center.

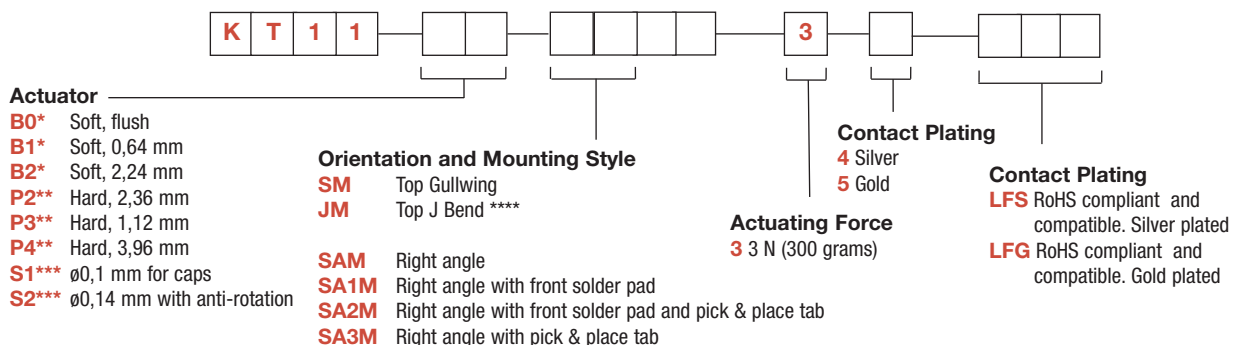
## How To Order

Our easy build-a-switch concept allows you to mix and match options to create the switch you need. To order, select desired option from each category and place it in the appropriate box.

However, please note that all the combinations of these options are not feasible.

For any part number different from those listed above, please consult your local representative.

## SWITCH



\* B0, B1 & B2 available with A & A1 mounting bracket only.

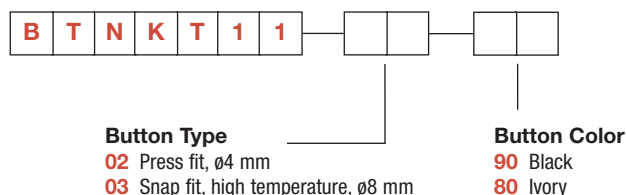
\*\* P4 available with A1 & A2 mounting bracket only.

\*\*\* S1 & S2 available with A1 & A2 mounting bracket only.

\*\*\*\* JM available with B0, B1, B2, P2, P3, P4 without mounting bracket.

## BUTTON

To order buttons in bulk



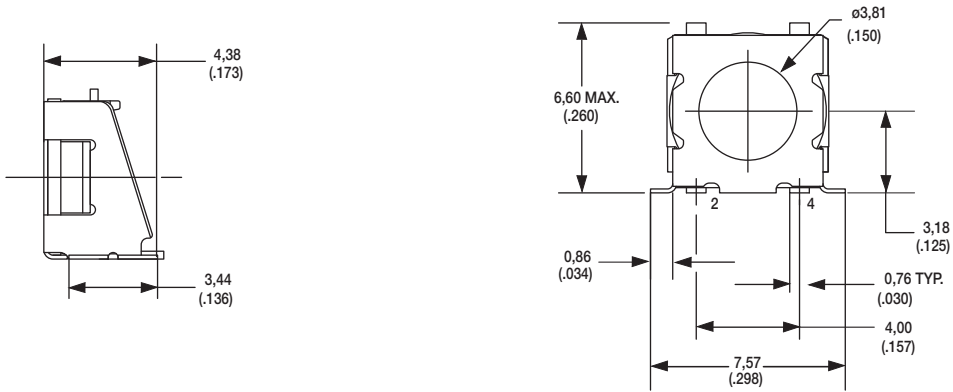
Dimensions shown in: mm (inch)  
Specifications and dimensions subject to change

www.ck-components.com

# KT Series Right Angle Sealed Tact Switch for SMT

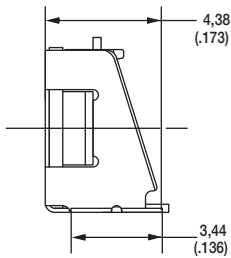
SERIES 

**KT11**

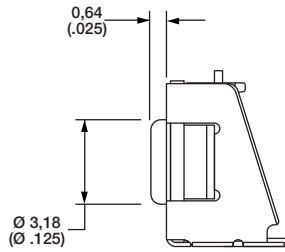


ACTUATOR 

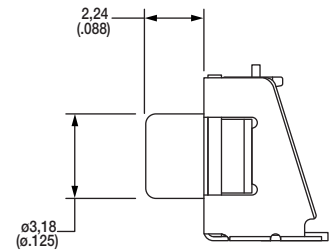
**B0 SOFT, FLUSH\***



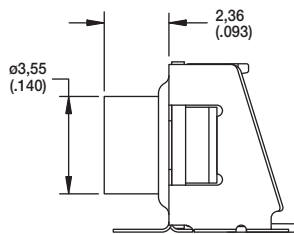
**B1 SOFT, 0,64 mm\***



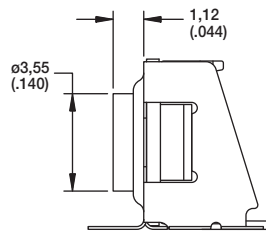
**B2 SOFT, 2,24 mm\***



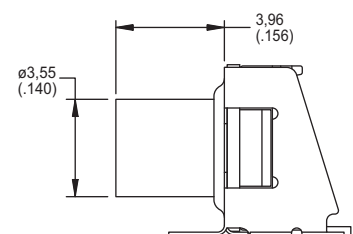
**P2 HARD, 2,36 mm**



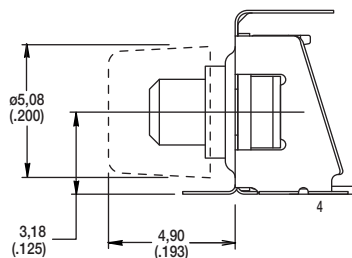
**P3 HARD, 1,12 mm**



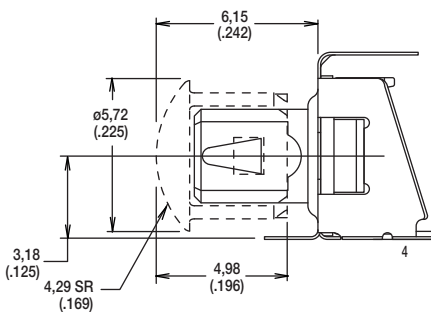
**P4 HARD, 3,96 mm\*\***



**S1  $\phi 0,1$  mm FOR PRESS FIT CAPS\*\*\***



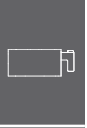
**S2  $\phi 0,14$  mm FOR SNAP FIT CAPS\*\*\***



Dimensions shown in: mm (inch)

Specifications and dimensions subject to change

www.ck-components.com



# KT Series Right Angle Sealed Tact Switch

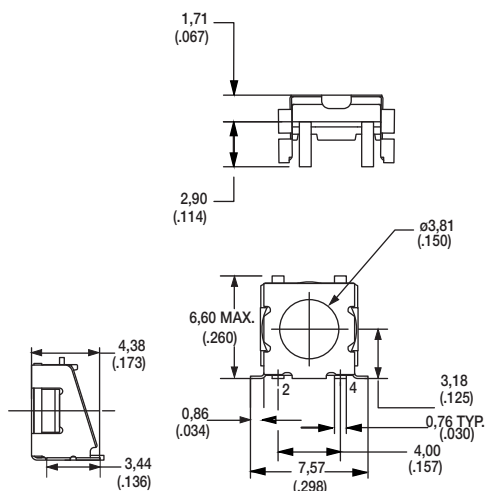
## ORIENTATION & MOUNTING STYLE



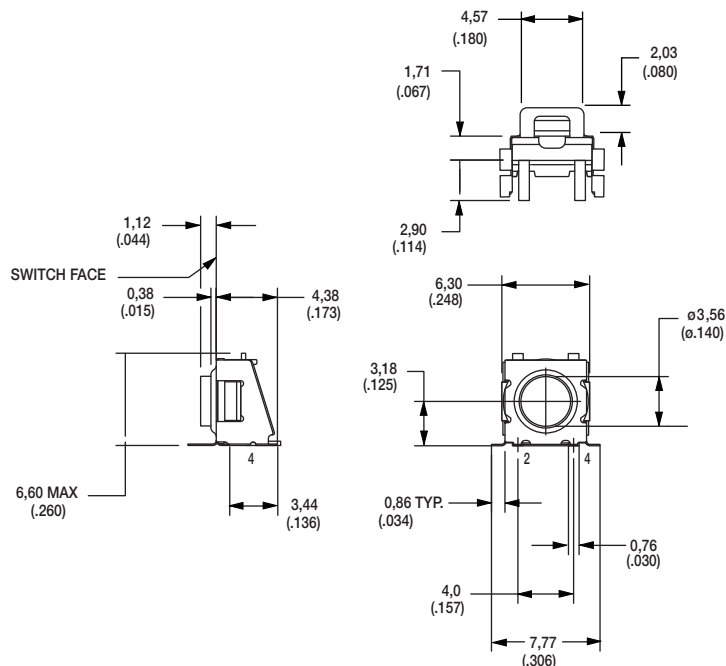
**SM** TOP GULLWING

**JM** TOP J BEND

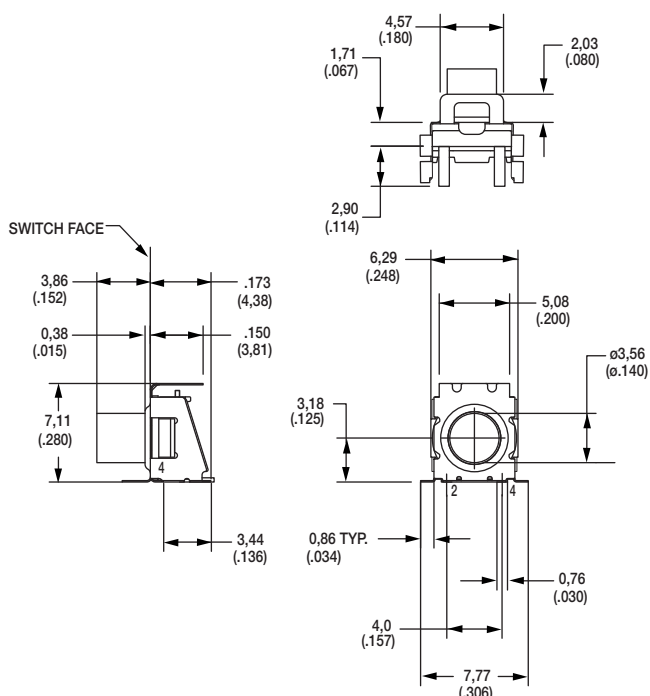
**SAM** RIGHT ANGLE



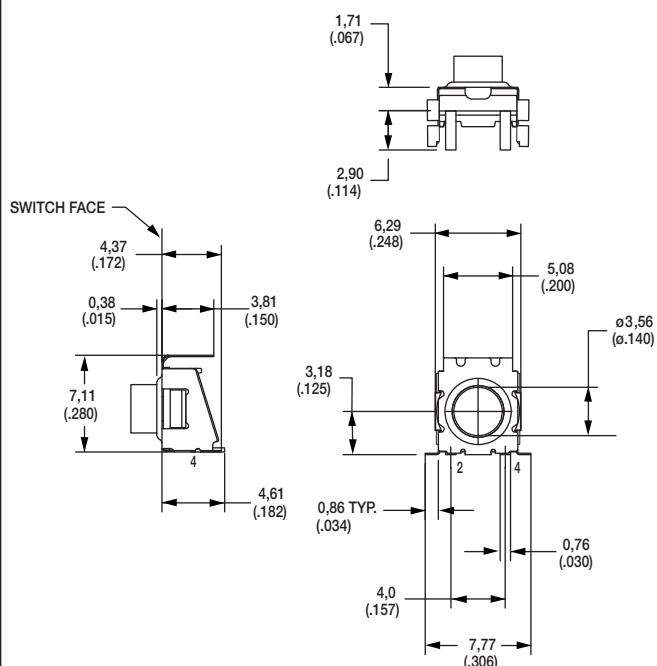
**SA1M** RIGHT ANGLE WITH FRONT SOLDER PAD



**SA2M** RIGHT ANGLE WITH FRONT SOLDER PAD AND PICK & PLACE TAB



**SA3M** RIGHT ANGLE WITH PICK & PLACE TAB



First Angle  
Projection

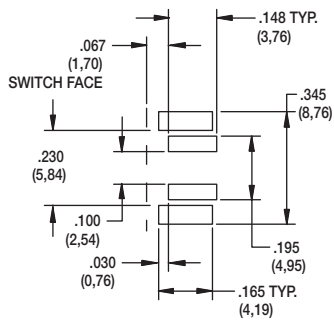
Dimensions shown in: mm (inch)  
Specifications and dimensions subject to change



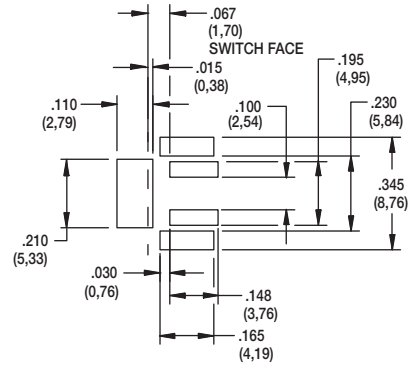
# KT Series Right Angle Sealed Tact Switch

## MOUNTING BRACKET

PAD LAYOUT  
SAM & SA3M MOUNTING BRACKET



PAD LAYOUT  
SA1M & SA2M MOUNTING BRACKET



## ACTUATING FORCE

OPTION CODE	FORCE
<b>3</b>	3 N (300 grams)

## CONTACT PLATING

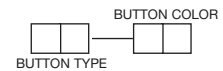
OPTION CODE	MATERIAL
<b>4</b>	SILVER
<b>5</b>	GOLD

## BUTTON

### BUTTON

To order buttons in bulk

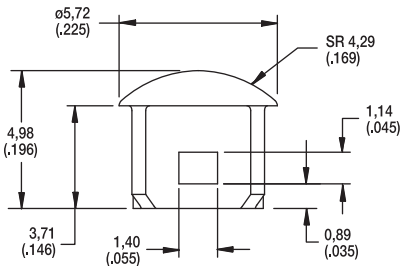
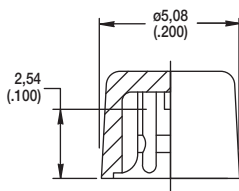
**B T N K T 1 1**



### Button Type

**02** PRESS FIT, Ø4 mm

**03** SNAP FIT, HIGH TEMPERATURE, Ø8 mm



### Button Color

OPTION CODE	BUTTON COLOR
<b>90</b>	BLACK
<b>80</b>	IVORY