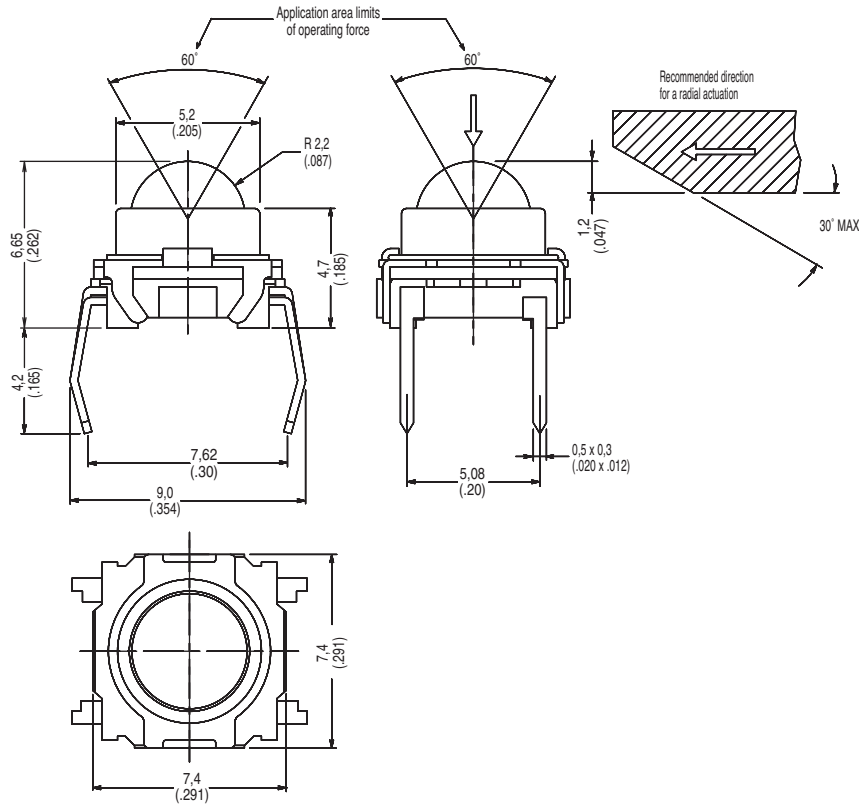


KSJ Series Spherical Actuator Tact Switches

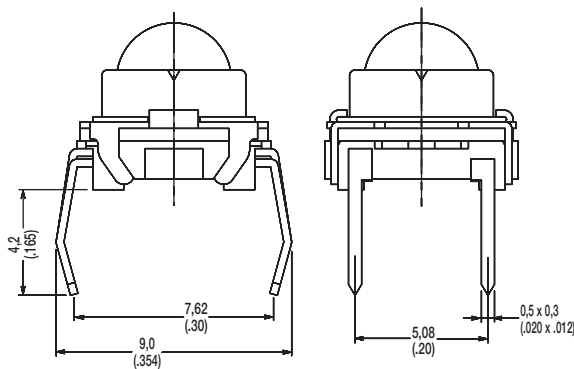
KSJ



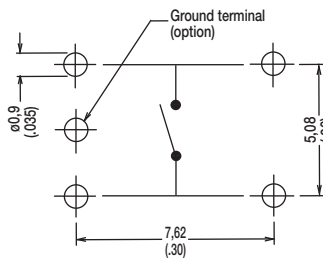
KSJ0M211

INSERTION

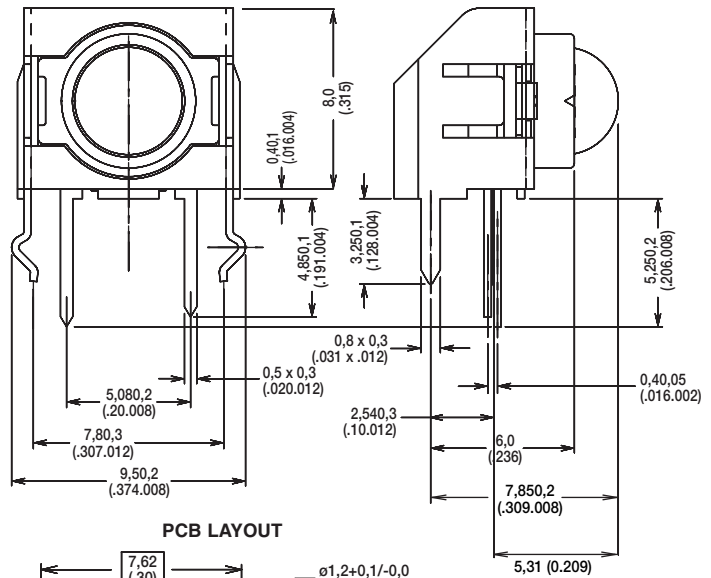
M THRU-HOLE



PCB LAYOUT



V VERTICAL



PCB LAYOUT

