

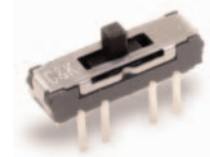
# JS Series Sub-Miniature Slide Switches

## Features/Benefits

- Positive detent
- Low profile
- IR reflow to 260° solder profile
- Surface and thru hole mounting
- SPDT, DPDT, DP3T models
- RoHS compliant

## Typical Applications

- Telecommunication products
- Computer peripherals
- Thermostat select switch
- Instrumentations



## Specifications

CONTACT RATING: See individual series for information.  
 ELECTRICAL LIFE: See individual series for information.  
 CONTACT RESISTANCE: 70 m Ω max.  
 INSULATION RESISTANCE: 100 M Ω min. @ 500V.  
 DIELECTRIC STRENGTH: 500 VAC min. @ sea level.  
 OPERATING TEMPERATURE: -40°C to +85°C  
 STORAGE TEMPERATURE: -40°C to +85°C

**NOTE:** Specifications and materials listed above are for switches with standard options.  
 For information on specific and custom switches, consult Customer Service Center.

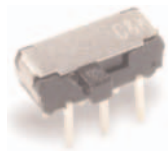
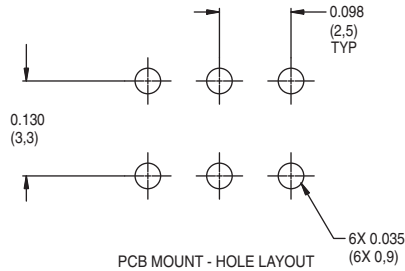
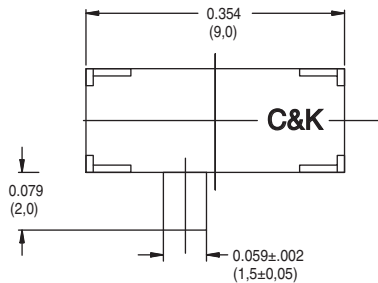
## Materials

HOUSING: 4/6 nylon (UL94V-2), black.  
 ACTUATOR: 4/6 nylon (UL94V-2), black.  
 CONTACTS: Copper alloy, silver plated.  
 TERMINALS: Brass, silver plated

### RIGHT ANGLE, PC THRU-HOLE

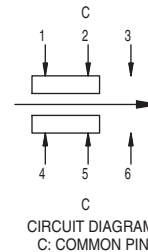
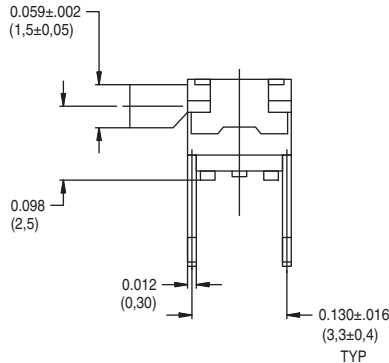
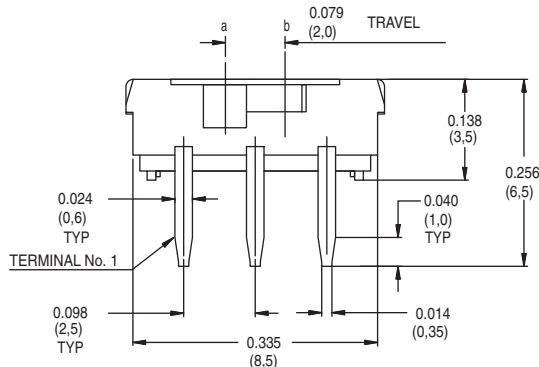
CONTACT RATING: 6 VDC @ 0.3A  
 CONTACT RATING: 30 VDC @ 0.1A

ELECTRICAL LIFE: 5,000 make-and-break cycles.  
 ELECTRICAL LIFE: 15,000 make-and-break cycles.



Part Number  
JS202011AQN  
DPDT

Shown in position 1



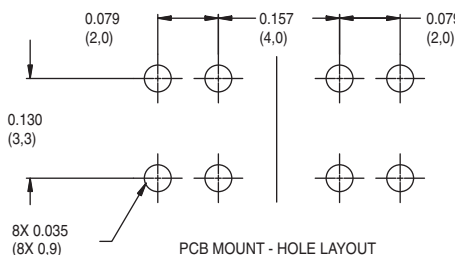
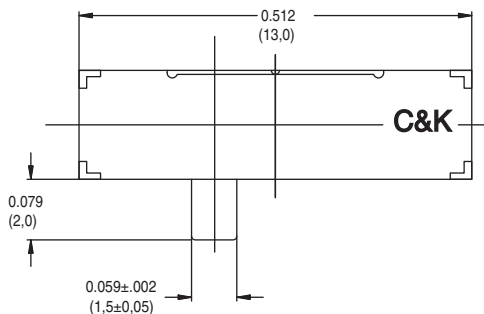
Dimensions are shown: Inches (mm)  
 Specifications and dimensions subject to change

# JS Series Sub-Miniature Slide Switches

RIGHT ANGLE, PC THRU-HOLE

CONTACT RATING: 6 VDC @ 0.3A  
CONTACT RATING: 30 VDC @ 0.1A

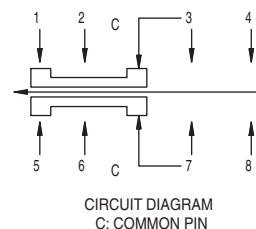
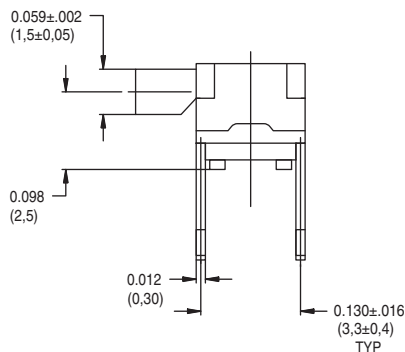
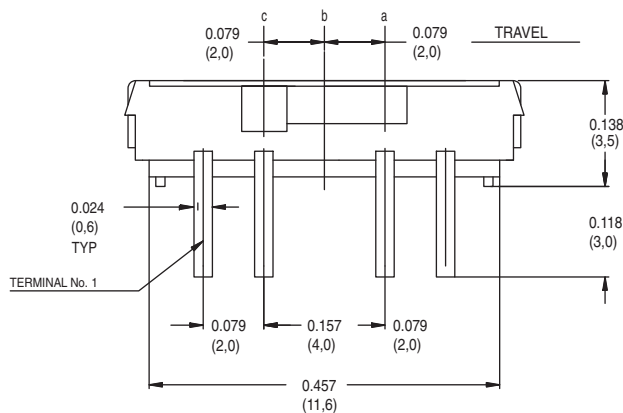
ELECTRICAL LIFE: 5,000 make-and-break cycles.  
ELECTRICAL LIFE: 15,000 make-and-break cycles.



Part Number  
JS203011AQN  
DP3T

Shown in position 1

Slide

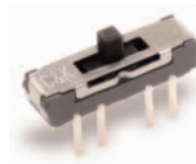
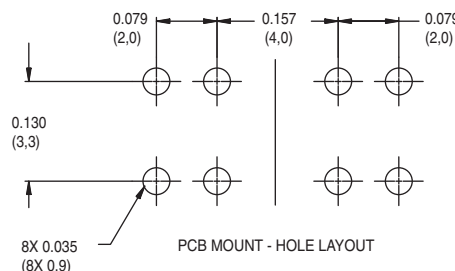
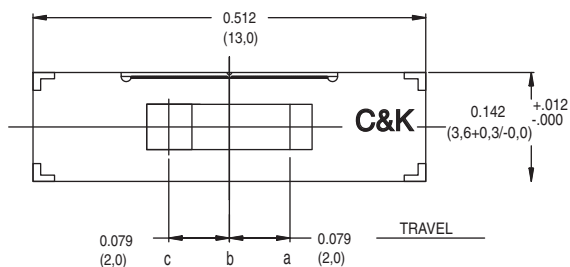


CIRCUIT DIAGRAM  
C: COMMON PIN

PC THRU-HOLE

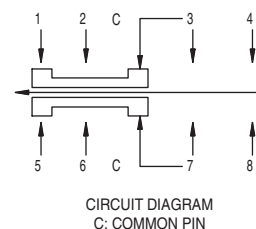
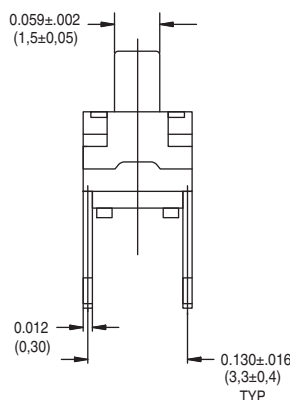
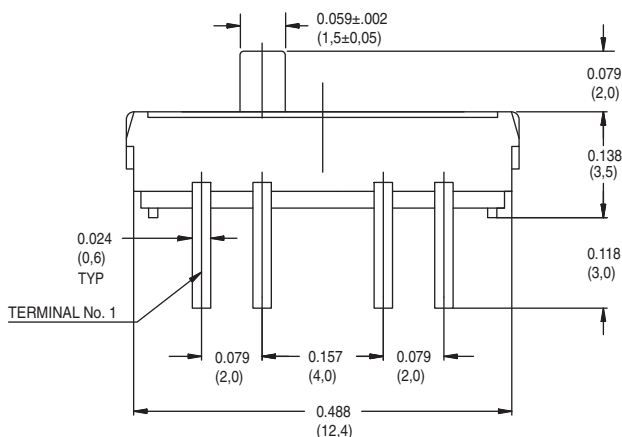
CONTACT RATING: 6 VDC @ 0.3A  
CONTACT RATING: 30 VDC @ 0.1A

ELECTRICAL LIFE: 5,000 make-and-break cycles.  
ELECTRICAL LIFE: 15,000 make-and-break cycles.



Part Number  
JS203011CQN  
DP3T

Shown in position 1



CIRCUIT DIAGRAM  
C: COMMON PIN



Third Angle  
Projection

Dimensions are shown: Inch (mm)  
Specifications and dimensions subject to change

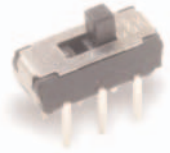
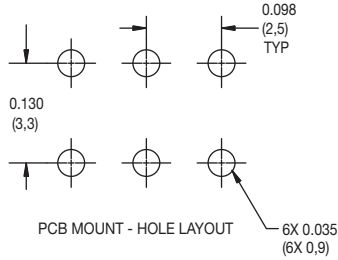
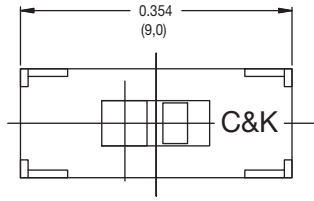


# JS Series Sub-Miniature Slide Switches

PC THRU-HOLE

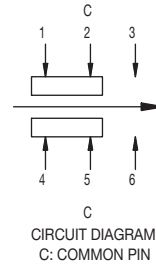
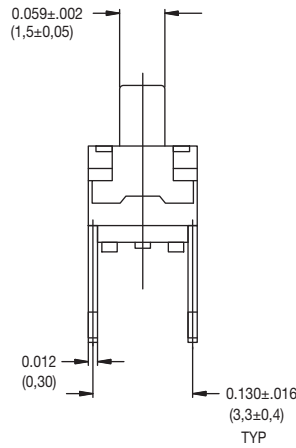
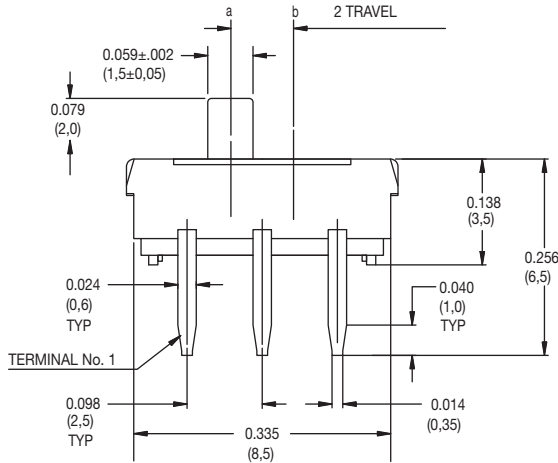
CONTACT RATING: 6 VDC @ 0.3A  
CONTACT RATING: 30 VDC @ 0.1A

ELECTRICAL LIFE: 5,000 make-and-break cycles.  
ELECTRICAL LIFE: 15,000 make-and-break cycles.



Part Number  
JS202011CQN  
DPDT

Shown in position 1



SURFACE MOUNT

CONTACT RATING: 6 VDC @ 0.3A  
CONTACT RATING: 30 VDC @ 0.1A

ELECTRICAL LIFE: 5,000 make-and-break cycles.  
ELECTRICAL LIFE: 15,000 make-and-break cycles.

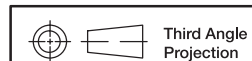
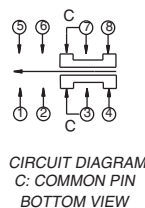
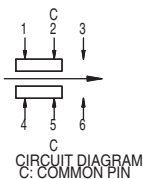
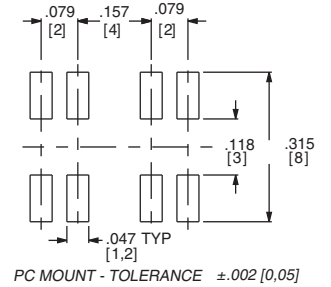
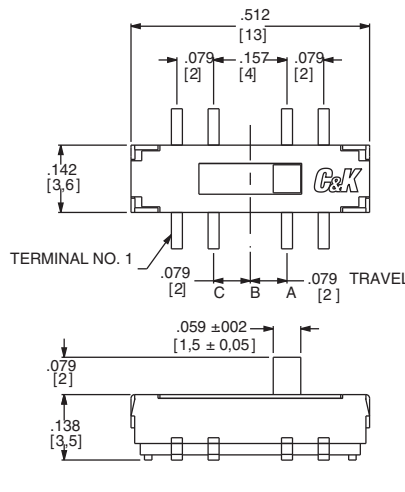
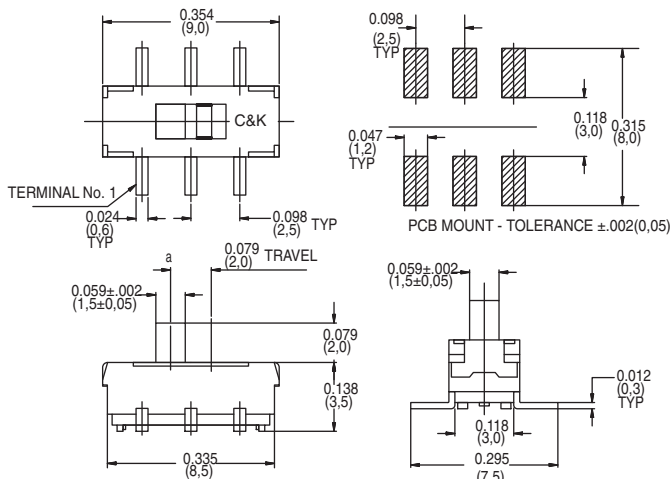


Part number  
JS202011SCQN  
DPDT

Shown in position 1. Available in tape & reel only, see page I-54

Part number  
JS203011SCQN  
DP3T

Shown in position 1. Available in tape & reel only, see page I-54



Dimensions are shown: Inches (mm)  
Specifications and dimensions subject to change



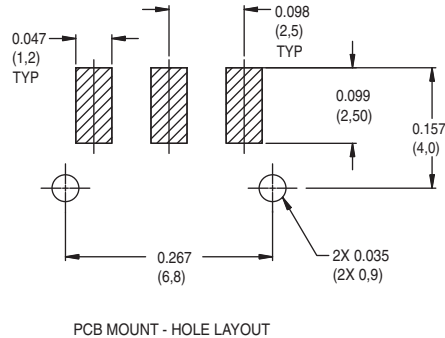
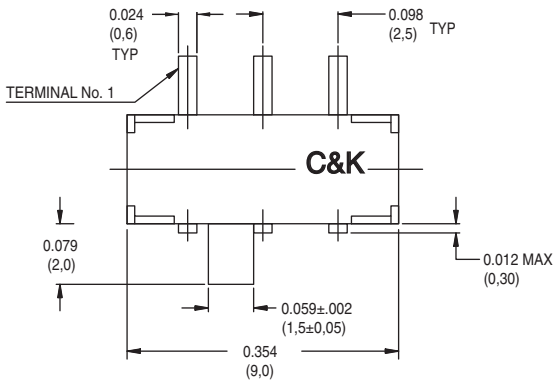
Slide

# JS Series Sub-Miniature Slide Switches

RIGHT ANGLE SURFACE MOUNT

CONTACT RATING: 6 VDC @ 0.3A  
CONTACT RATING: 30 VDC @ 0.1A

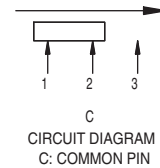
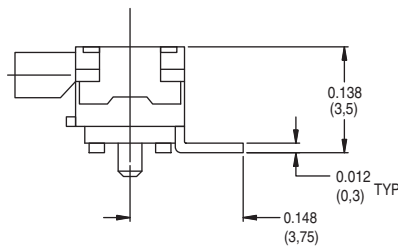
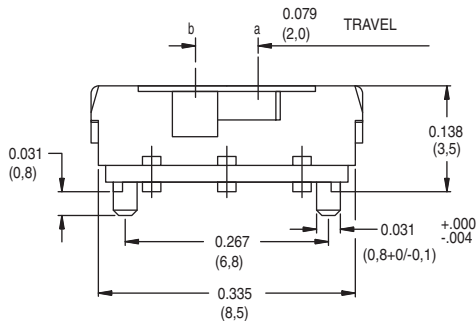
ELECTRICAL LIFE: 5,000 make-and-break cycles.  
ELECTRICAL LIFE: 15,000 make-and-break cycles.



Part Number  
JS102011SAQN  
SPDT

Shown in position 1

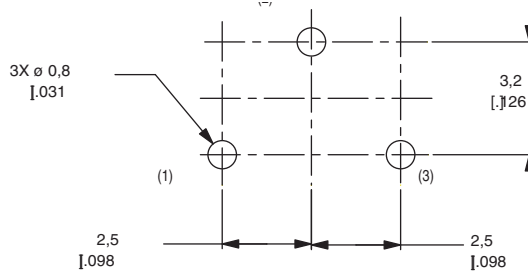
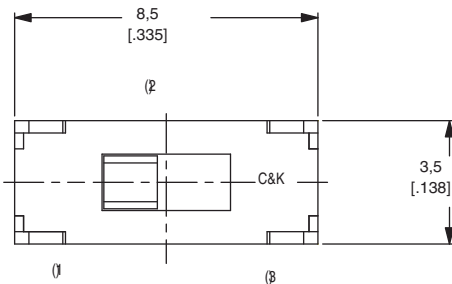
Available in tape & reel  
only, see page I-54



C  
CIRCUIT DIAGRAM  
C: COMMON PIN

CONTACT RATING: 6 VDC @ 0.3A  
CONTACT RATING: 30 VDC @ 0.1A

ELECTRICAL LIFE: 5,000 make-and-break cycles.  
ELECTRICAL LIFE: 15,000 make-and-break cycles.

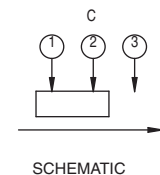
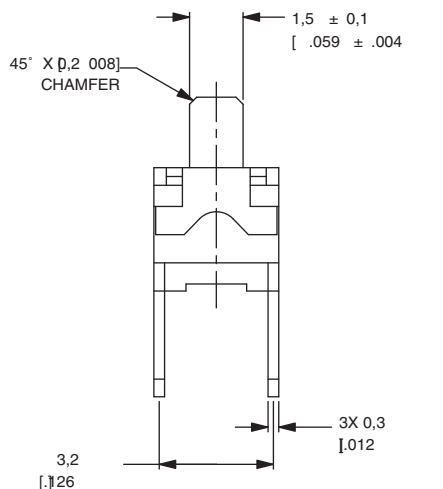
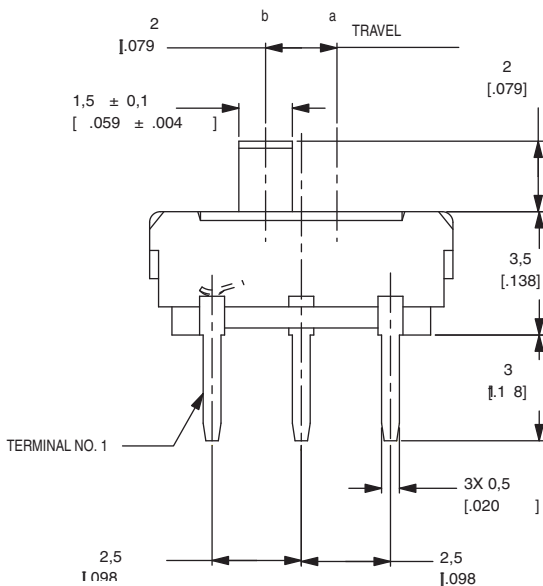


PCB LAYOUT RECOMMENDED

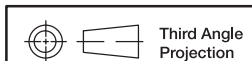


Part Number  
JS102011CQN  
SPDT

Shown in position 1



SCHEMATIC



Third Angle  
Projection

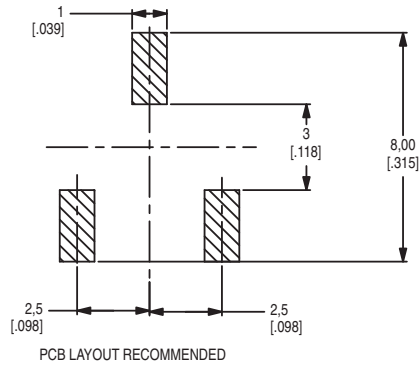
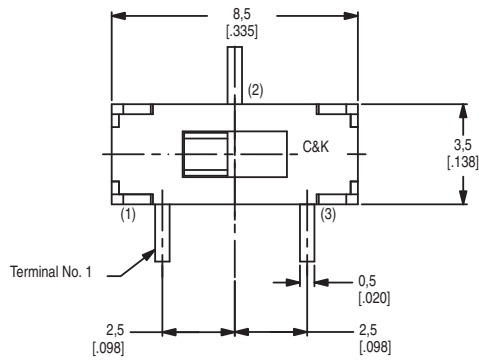
Dimensions are shown: Inch (mm)  
Specifications and dimensions subject to change



# JS Series Sub-Miniature Slide Switches

CONTACT RATING: 6 VDC @ 0.3A  
CONTACT RATING: 30 VDC @ 0.1A

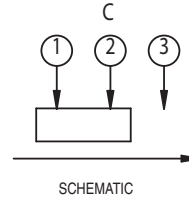
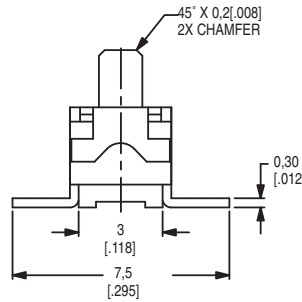
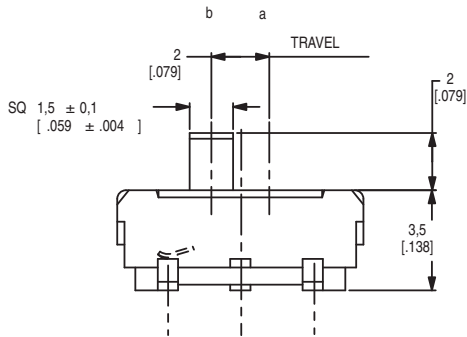
ELECTRICAL LIFE: 5,000 make-and-break cycles.  
ELECTRICAL LIFE: 15,000 make-and-break cycles.



Part Number  
JS102011SCQN  
SPDT

Shown in position 1

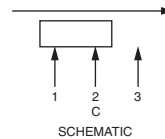
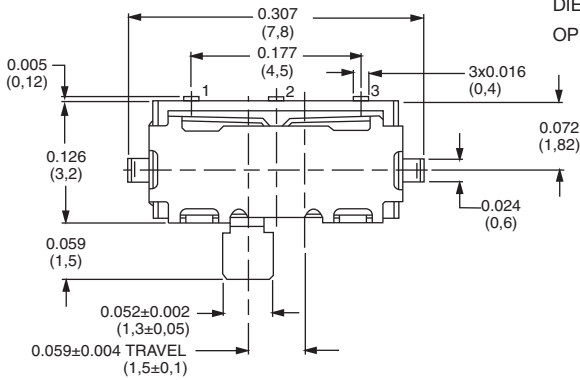
Available in tape & reel  
only, see page I-54



**RIGHT ANGLE SURFACE MOUNT**  
LOW PROFILE .028±.004 (0.7±0.1) HIGH

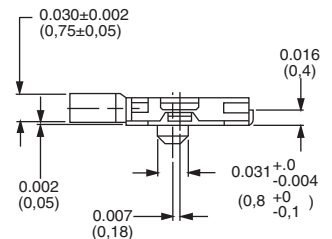
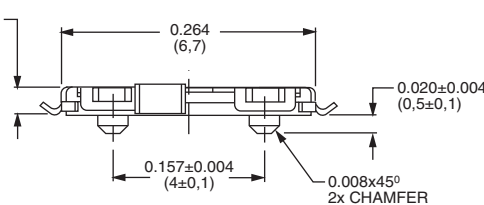
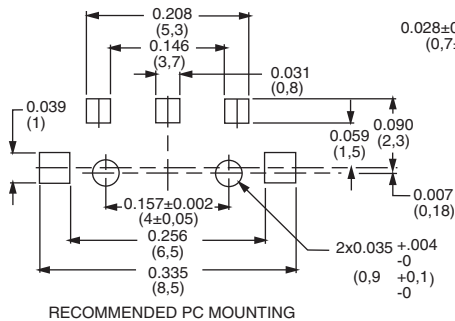
## Specifications

CONTACT RATING: 5 VDC @ 1MA  
ELECTRICAL LIFE: 15,000 cycles.  
CONTACT RESISTANCE: <100 m ohms (initial) <200 m ohms (after processing).  
INSULATION RESISTANCE: 100 m ohms @500 VDC.  
DIELECTRIC STRENGTH: 250 VAC.  
OPERATING TEMPERATURE: -40°C to +85°C



Part Number  
JS102000SAQN  
SPDT

Available in tape & reel  
only, see page I-54



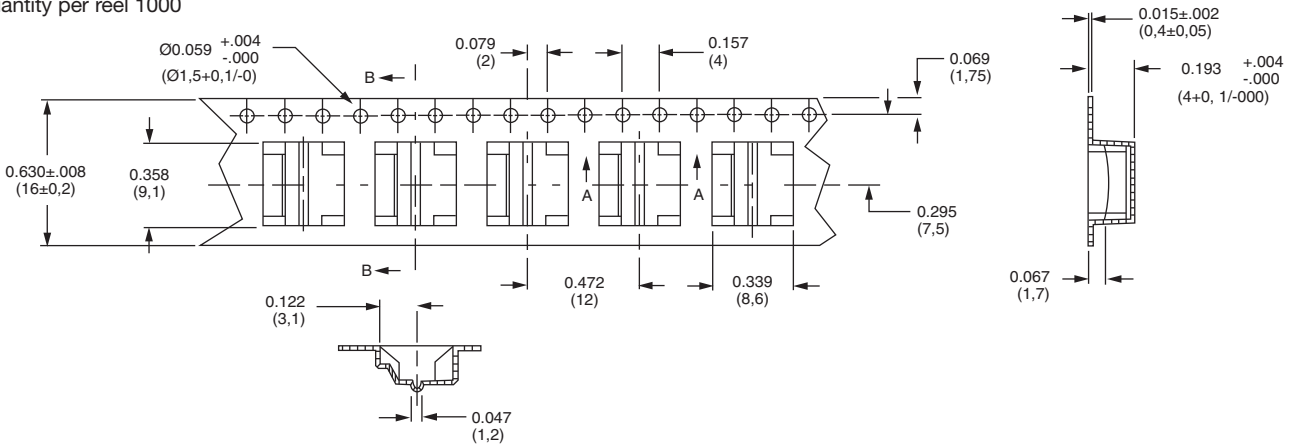
Dimensions are shown: Inches (mm)  
Specifications and dimensions subject to change



# JS Series Sub-Miniature Slide Switches

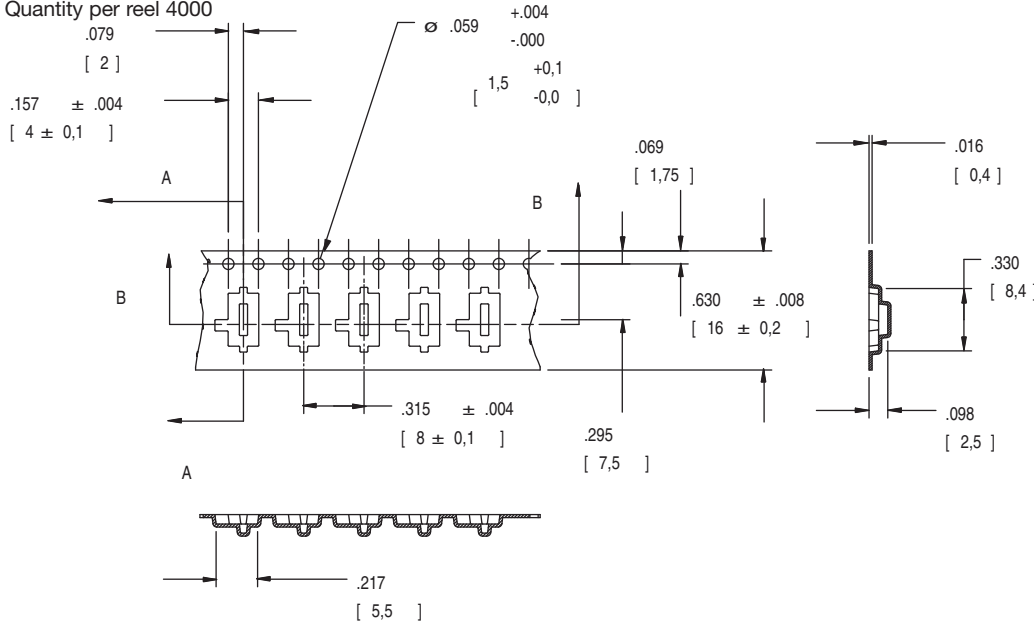
TAPE AND REEL FOR PART NUMBER JS10211SAQN

Quantity per reel 1000



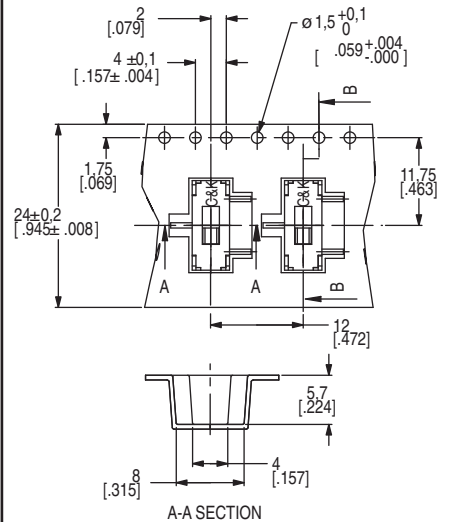
TAPE AND REEL FOR PART NUMBER JS102000SAQN

Quantity per reel 4000



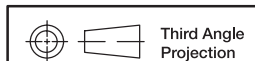
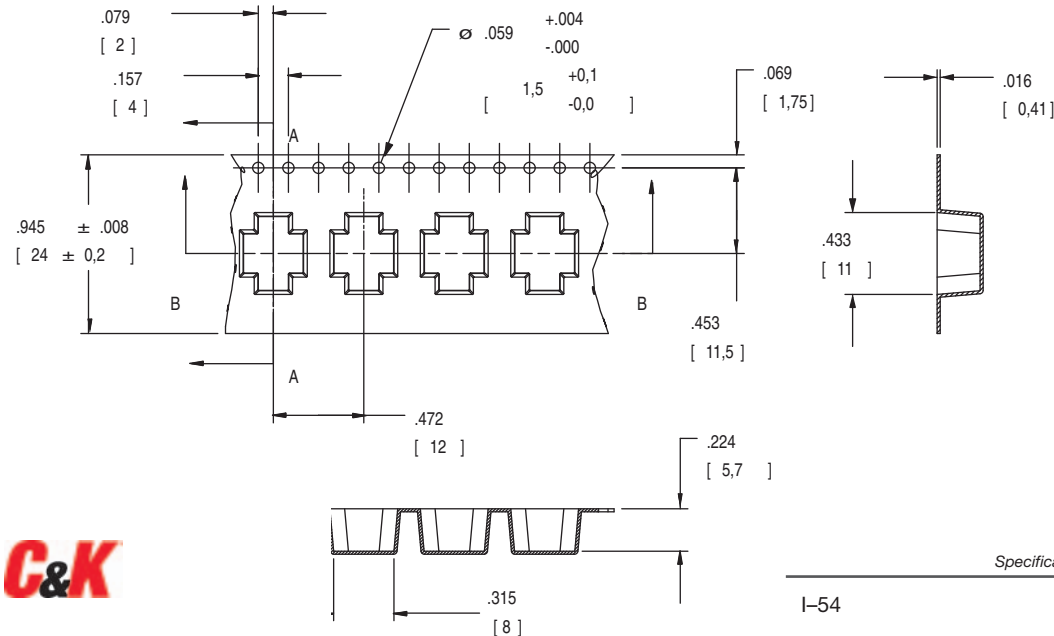
TAPE AND REEL FOR PART NUMBER JS102011SCQN

Quantity per reel 1000



TAPE AND REEL FOR PART NUMBER JS202011SCQN

Quantity per reel 1000



Dimensions are shown: Inch (mm)  
Specifications and dimensions subject to change

