

# HDT Series Micro Mini Surface Mount Detect Switches

**NEW!**

## Features/Benefits

- Low profile package
- Design allows top or side actuation
- Low actuation force, 35 grams max.
- Pick and place compatible, available in tape & reel packaging
- RoHS compliant and compatible
- Halogen free

## Typical Applications

- Consumer electronics
- Computers
- Medical devices
- ATCA and MicroTCA devices



**AdvancedTCA<sup>®</sup>**

**μTCA<sup>®</sup>**

## Specifications

CONTACT RATING: 1 mA 5 VDC  
 MECHANICAL AND ELECTRICAL LIFE: 100,000 cycles min.  
 CONTACT RESISTANCE: 500 m Ω max. initial.  
 INSULATION RESISTANCE: 100 M Ω min. between adjacent contacts.  
 OPERATING TEMPERATURE: -40°C to + 85°C  
 STORAGE TEMPERATURE: -40°C to + 85°C  
 PACKAGING: Tape & reel

## Materials

BASE: PA 46 (UL94V-0)  
 COVER: PA 46 (UL94V-0)  
 ACTUATOR: PA 46 (UL94V-0)  
 MOVABLE BLADE: Stainless Steel, Ag over Ni plating.  
 TERMINALS: Phosphor Bronze, Ag over Ni plating.  
 SOLDERABILITY: Lead free compatible - No clean.

**NOTE:** Specifications and materials listed above are for switches with standard options. For information on specific and custom switches, consult Customer Service Center.

## Build-A-Switch

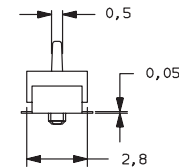
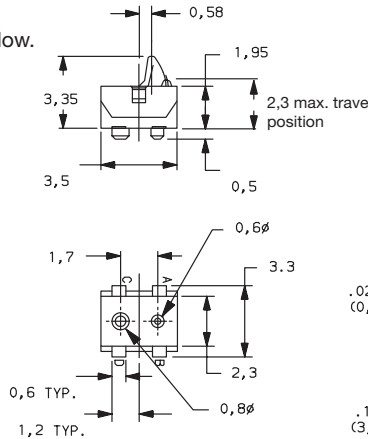
Complete part numbers for HDT Series are shown below.

| PART NUMBER    | PACKAGING                     | SCHEMATIC |
|----------------|-------------------------------|-----------|
| <b>HDT0001</b> | TAPE & REEL<br>2,450 per reel |           |

**NOTE:** Available with no locating posts by adding "NP" (HDT0001NP) to Part Number.

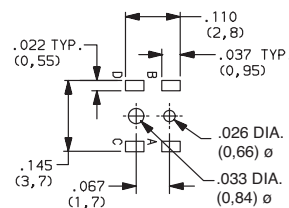
### TRAVEL:

Pre-travel: .30 mm  
 Overtravel: .75 mm  
 Total: 1.05 mm



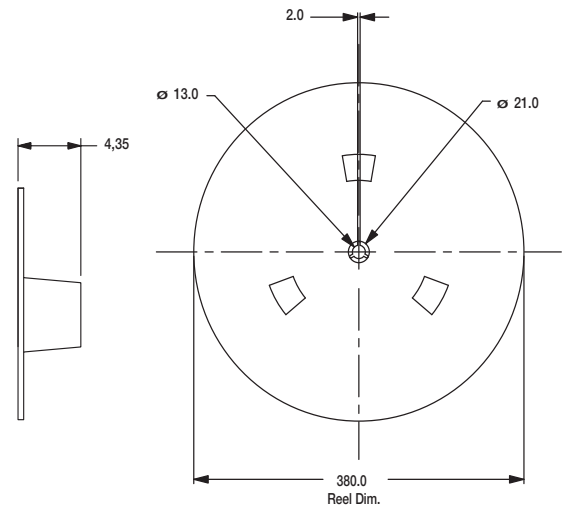
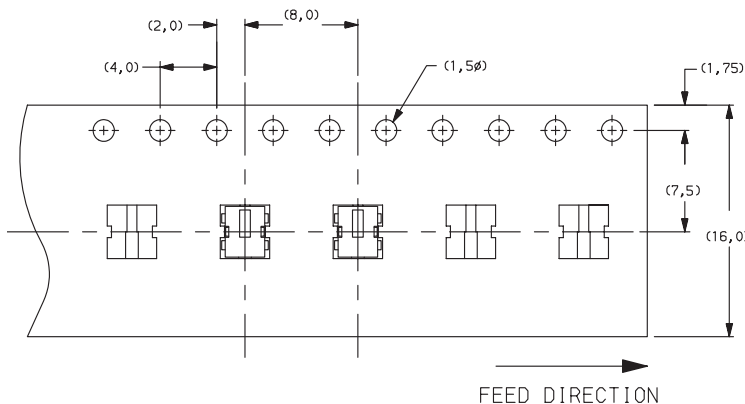
HDT0001

### PC MOUNTING



## TAPE & REEL

HDT0001



Third Angle Projection

Dimensions are shown: mm  
 Specifications and dimensions subject to change



Detect

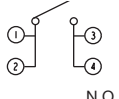
**NEW!**

# HDT Series Micro Mini Surface Mount Detect Switches

## HDT0004

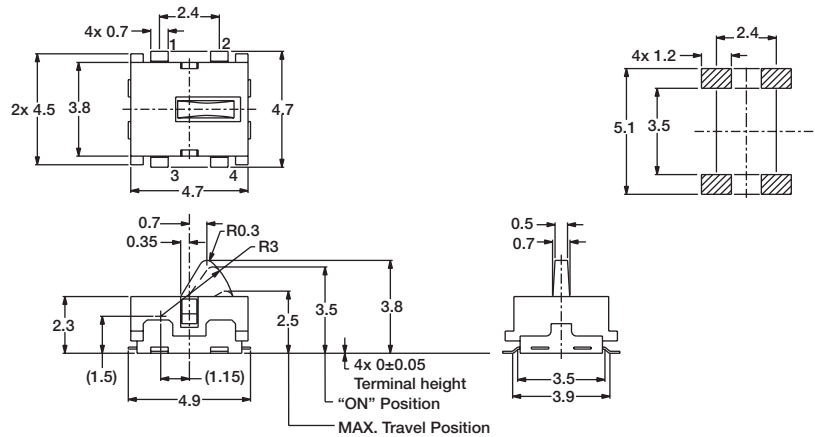


HDT0004

| PART NUMBER    | PACKAGING                     | SCHEMATIC   |
|----------------|-------------------------------|---|
| <b>HDT0004</b> | TAPE & REEL<br>2,800 per reel |  |

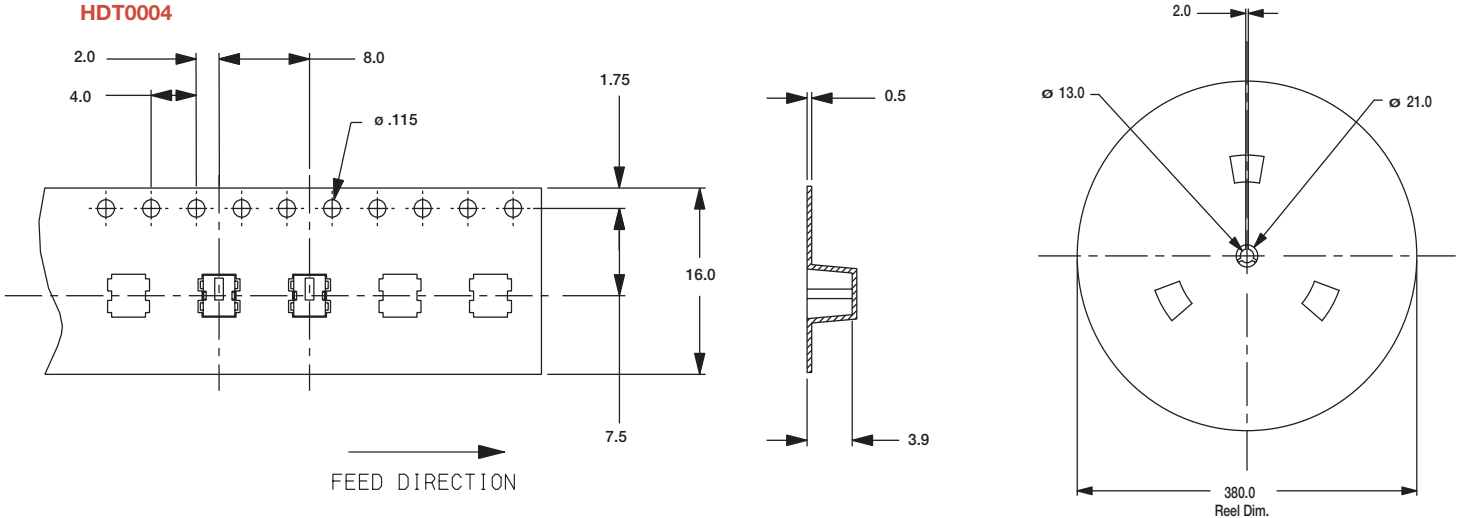
**TRAVEL:**

- Pre-travel: .3 mm
- Overtravel: 1.0 mm
- Total: 1.3 mm



## TAPE & REEL

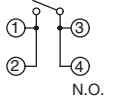
**HDT0004**



## HDT0104

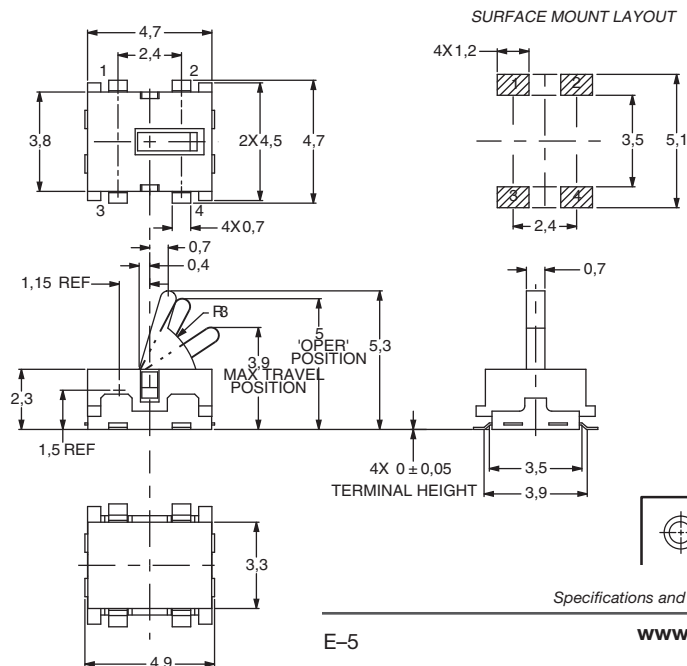


HDT0104

| PART NUMBER    | PACKAGING                     | SCHEMATIC   |
|----------------|-------------------------------|---|
| <b>HDT0104</b> | TAPE & REEL<br>2,100 per reel |  |

**TRAVEL:**

- Pre-travel: .3 mm
- Overtravel: 1.1 mm
- Total: 1.4 mm



Dimensions are shown in mm  
Specifications and dimensions subject to change



Detect

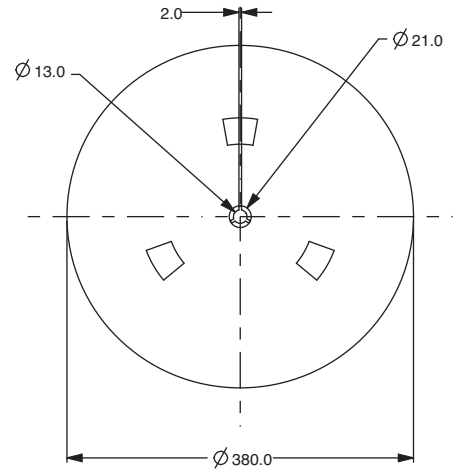
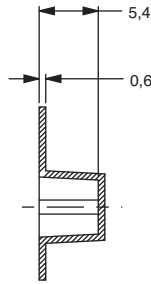
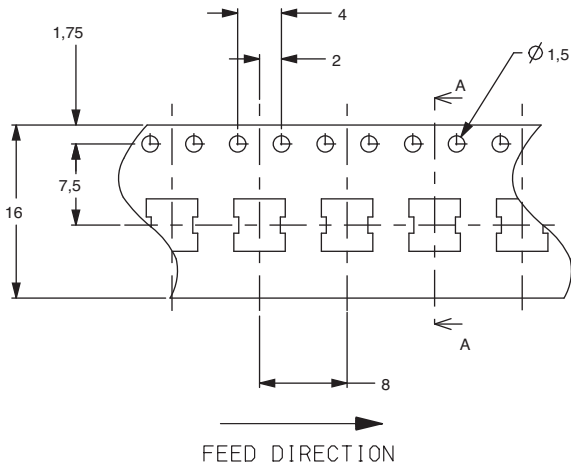
# HDT Series

## Micro Mini Surface Mount Detect Switches

**NEW!**

### TAPE & REEL

HDT0104



### HDT0204

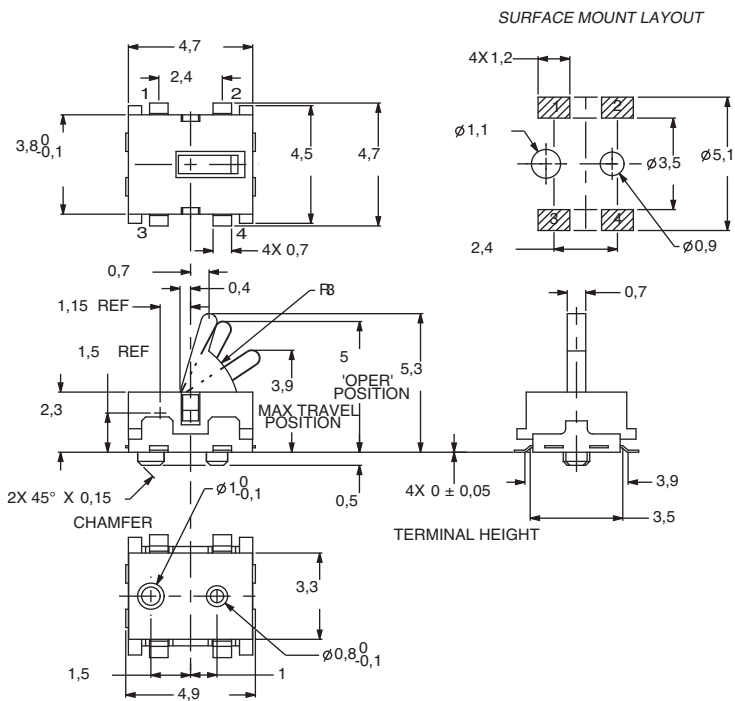


HDT0204

| PART NUMBER    | PACKAGING                     | SCHEMATIC |
|----------------|-------------------------------|-----------|
| <b>HDT0204</b> | TAPE & REEL<br>2,000 per reel |           |

TRAVEL:

- Pre-travel: .3 mm
- Overtravel: 1.1 mm
- Total: 1.4 mm



SURFACE MOUNT LAYOUT



Detect



Third Angle Projection

Dimensions are shown: mm  
Specifications and dimensions subject to change

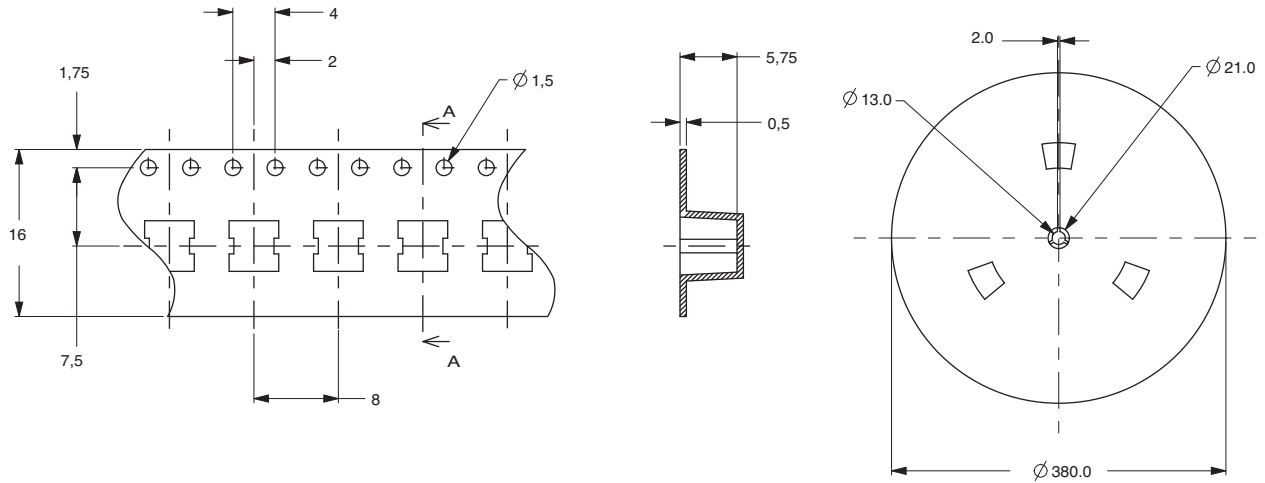


**NEW!**

# HDT Series Micro Mini Surface Mount Detect Switches

**TAPE & REEL**

**HDT0204**



**Detect**



Third Angle Projection  
Dimensions are shown: mm  
Specifications and dimensions subject to change