

# C&K E Series Sealed Miniature Toggle Switches

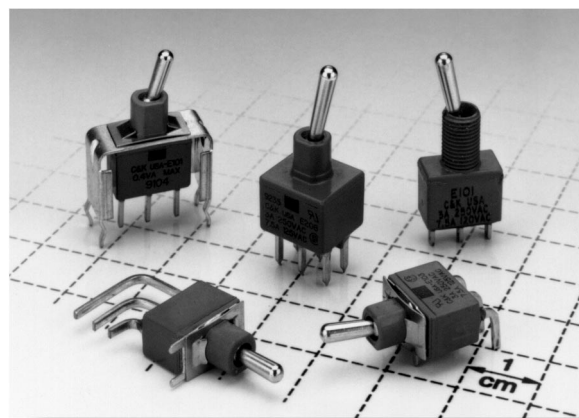


## Features/Benefits

- Sealed against solder and cleaning process contaminants
- UL 94V-0 Nylon case and bushing
- Multi-positions
- ESD protection available

## Typical Applications

- Telecommunications
- Instrumentation
- Medical equipment



A

Toggle

## Build-A-Switch

Our easy Build-A-Switch concept allows you to mix and match options to create the switch you need. Below is a complete listing of options shown in catalog. To order, simply select desired option from each category and place in the appropriate box. Switches with standard options are shown on pages A-20 thru A-22. Available options are shown and described on pages A-22 thru A-30. For additional options not shown in catalog, consult our Customer Service Center. All models are process sealed to withstand machine soldering temperatures and pressure wash cleaning methods.

Typical Example: E 1 0 1 — S — D 1 — C — B — E —  

### Switch Function

- E101** (STD.) SP, On-None-On
- E103** (STD.) SP, On-Off-On
- E201** (STD.) DP, On-None-On
- E203** (STD.) DP, On-Off-On
- E211** (STD.) DP, On-On-On
- E301** (STD.) 3P, On-None-On
- E105** SP, Mom.-Off-Mom.
- E107** SP, On-Off-Mom.
- E108** SP, On-None-Mom.
- E205** DP, Mom.-Off-Mom.
- E207** DP, On-Off-Mom.
- E208** DP, On-None-Mom.
- E213** DP, On-On-Mom.
- E215** DP, Mom.-On-Mom.
- E303** 3P, On-Off-On
- E305** 3P, Mom.-Off-Mom.
- E307** 3P, On-Off-Mom.
- E308** 3P, On-None-Mom.

### Actuator

- M** (STD.) .300" high
- S** (STD.) .500" high
- L3** Plastic, .940" high

### Bushing

- D1** (STD.) .250" high
- F1** (STD.) Conductive, .250" high
- D9** .280" high
- Y** Threaded, .350" high

### Terminations

- A** (STD.) Right angle, PC thru-hole
- AV2** (STD.) Vertical right angle, PC thru-hole
- C** (STD.) PC Thru-hole
- V3** (STD.) .460" high, V-bracket
- Z** (STD.) Solder lug
- A3** Right angle, PC thru-hole
- AV3** Vertical right angle, PC thru-hole
- AW** Right angle, extended, PC thru-hole
- AW1** Right angle, extended, PC thru-hole
- AW3** Right angle, extended, PC thru-hole
- AW4** Right angle, extended, PC thru-hole
- AW5** Right angle, extended, PC thru-hole
- R** Right angle with PCB
- R2** Right angle with PCB
- V2** .555" high, V-bracket
- V4** .630" high, V-bracket
- V6** .460" high, V-bracket
- V7** .630" high, V-bracket
- V8** .953" high, V-bracket
- V9** 1.150" high, V-bracket
- V21** .555" high, snap-in V-bracket
- V31** .460" high, snap-in V-bracket
- V41** .630" high, snap-in V-bracket
- V61** .460" high, snap-in V-bracket
- V71** .630" high, snap-in V-bracket

### Contact Material

- B** (STD.) Gold
- K** Gold
- Q** Silver
- M** Silver
- G** Gold over silver
- L** Gold over silver

### Seal

- E** (STD.) Epoxy

### Plastic Actuator Color

- 2** (STD.) Black
- 1** White
- 3** Red

- V81** .953" high, snap-in V-bracket
- V91** 1.150" high, snap-in V-bracket
- W** .750" long, wire wrap
- W1** .964" long, wire wrap
- W3** .425" long, wire wrap
- W4** 1.062" long, wire wrap
- W5** 1.305" long, wire wrap
- Z3** Quick connect

# C&K E Series Sealed Miniature Toggle Switches

## Specifications

- CONTACT RATING:** B contact material: 0.4 VA max. @ 20 V AC or DC max. See page A-30 for additional ratings.
- ELECTRICAL LIFE:** E1XX and E2XX models: 40,000 make-and-break cycles at full load. E3XX models: 30,000 cycles.
- CONTACT RESISTANCE:** Below 10 milliohms typ. initial @ 2-4 V DC, 100 mA, for both silver and gold plated contacts.
- INSULATION RESISTANCE:** 10<sup>9</sup> ohms min.
- ELECTROSTATIC DISCHARGE (ESD) OPTION:** F1 conductive bushing only. Dissipates up to 20,000 V DC from actuator to ground.
- DIELECTRIC STRENGTH:** 1000 V RMS min. @ sea level.
- OPERATING TEMPERATURE:** -30°C to 85°C.
- SOLDERABILITY:** Per MIL-STD-202F method 208D, or EIA RS-186E method 9 (1 hour steam aging).
- DEGREE OF PROTECTION:** IP57; Protection against harmful dust deposit, full-scale voltage protection, temporary immersion.

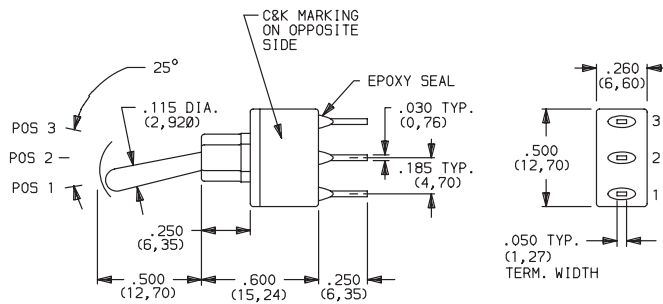
## Materials

- CASE & BUSHING:** Glass filled nylon 6/6, flame retardant, heat stabilized (UL 94V-0). F1 conductive bushing option is impregnated with carbon fibers.
- ACTUATOR:** Brass, chrome plated with internal o-ring seal standard.
- SWITCH SUPPORT:** Brass or steel, tin plated.
- SWITCH SUPPORT RETAINER:** Stainless steel.
- CONTACTS & TERMINALS:** B contact material: Copper alloy, with gold plate over nickel plate. See page A-30 for additional contact materials.
- TERMINAL SEAL:** Epoxy.
- HARDWARE:** Nut & Locking ring: Brass, nickel plated.  
Lockwasher: Steel, nickel plated.
- NOTE:** Specifications and materials listed above are for switches with standard options. For information on specific and custom switches, consult Customer Service Center.

## SWITCHES WITH STANDARD OPTIONS



E101SD1CBE  
SPDT



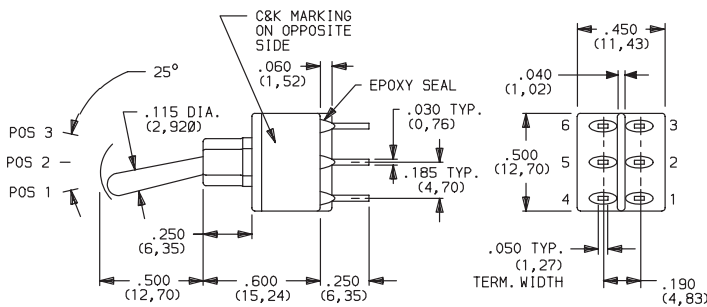
PART NUMBER	NO. POLES	POS. 1	POS. 2	POS. 3
E101SD1CBE		ON	NONE	ON
E103SD1CBE	SPDT	ON	OFF	ON
E105SD1CBE		MOM.	OFF	MOM.

MOM. = Momentary

NOTE: For PC mounting information, see page A-24.



E201SD1CBE  
DPDT



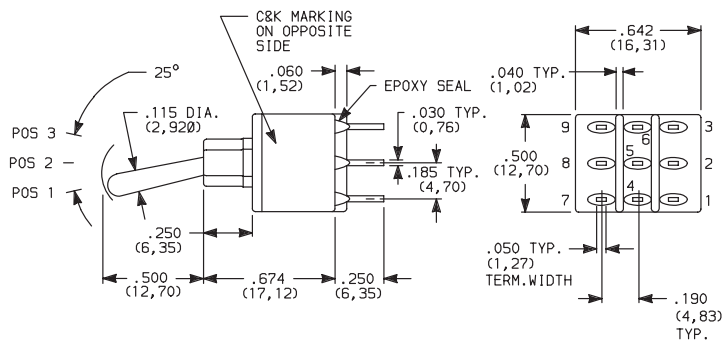
PART NUMBER	NO. POLES	POS. 1	POS. 2	POS. 3
E201SD1CBE		ON	NONE	ON
E203SD1CBE	DPDT	ON	OFF	ON
E205SD1CBE		MOM.	OFF	MOM.

MOM. = Momentary

NOTE: For PC mounting information, see page A-24.



E301SD1CBE  
3PDT



PART NUMBER	NO. POLES	POS. 1	POS. 2	POS. 3
E301SD1CBE		ON	NONE	ON
E303SD1CBE	3PDT	ON	OFF	ON
E305SD1CBE		MOM.	OFF	MOM.

MOM. = Momentary

NOTE: For PC mounting information, see page A-24.

# C&K E Series Sealed Miniature Toggle Switches

## SWITCHES WITH STANDARD OPTIONS



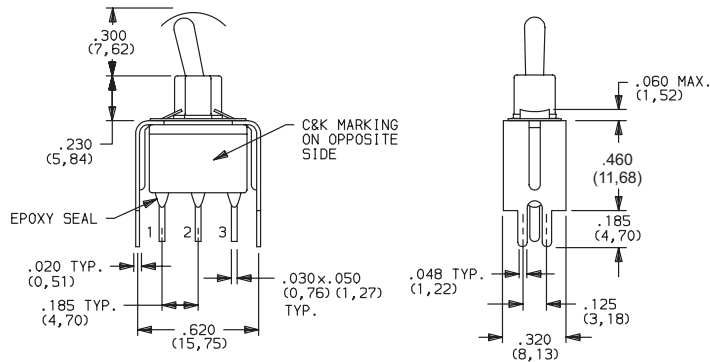
A

Toggle

PART NUMBER	NO. POLES	POS. 1	POS. 2	POS. 3
<b>E101MD1V3BE</b>	SPDT	ON	NONE	ON
<b>E103MD1V3BE</b>		ON	OFF	ON
<b>E105MD1V3BE</b>		MOM.	OFF	MOM.

MOM. = Momentary

NOTE: For PC mounting information, see page A-29.



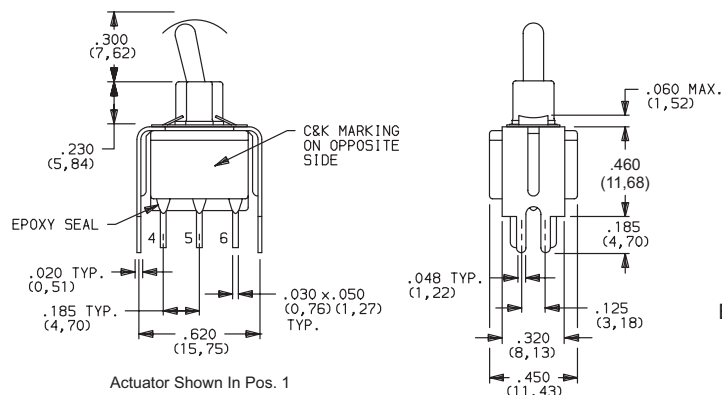
E101MD1V3BE  
SPDT

Actuator Shown In Pos. 1

PART NUMBER	NO. POLES	POS. 1	POS. 2	POS. 3
<b>E201MD1V3BE</b>	DPDT	ON	NONE	ON
<b>E203MD1V3BE</b>		ON	OFF	ON
<b>E205MD1V3BE</b>		MOM.	OFF	MOM.

MOM. = Momentary

NOTE: For PC mounting information, see page A-29.



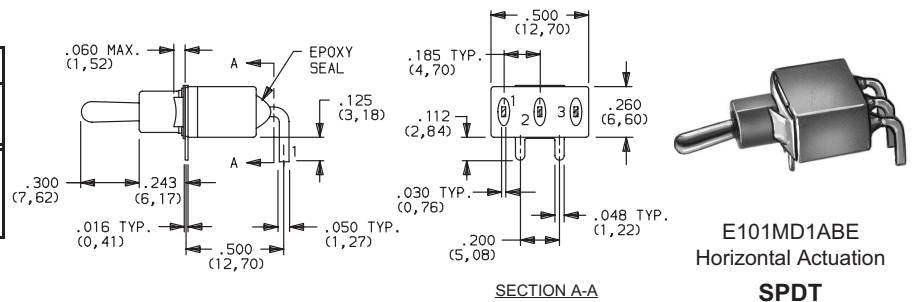
E201MD1V3BE  
DPDT

Actuator Shown In Pos. 1

PART NUMBER	NO. POLES	POS. 1	POS. 2	POS. 3
<b>E101MD1ABE</b>	SPDT	ON	NONE	ON
<b>E103MD1ABE</b>		ON	OFF	ON
<b>E105MD1ABE</b>		MOM.	OFF	MOM.

MOM. = Momentary

NOTE: For PC mounting information, see page A-24.

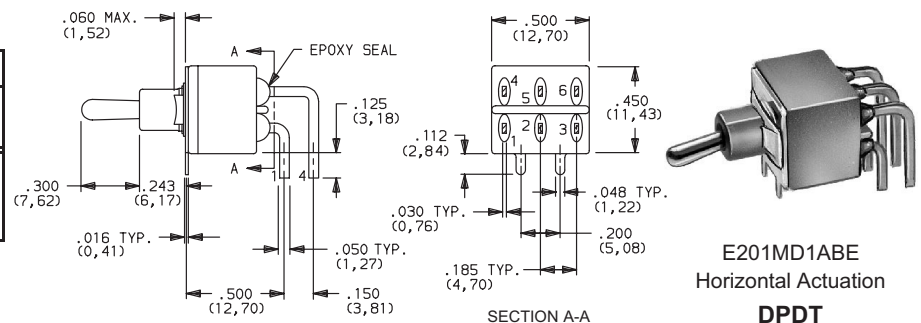


E101MD1ABE  
Horizontal Actuation  
SPDT

PART NUMBER	NO. POLES	POS. 1	POS. 2	POS. 3
<b>E201MD1ABE</b>	DPDT	ON	NONE	ON
<b>E203MD1ABE</b>		ON	OFF	ON
<b>E205MD1ABE</b>		MOM.	OFF	MOM.

MOM. = Momentary

NOTE: For PC mounting information, see page A-25.

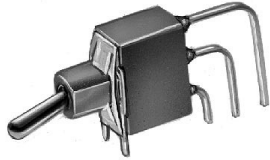


E201MD1ABE  
Horizontal Actuation  
DPDT

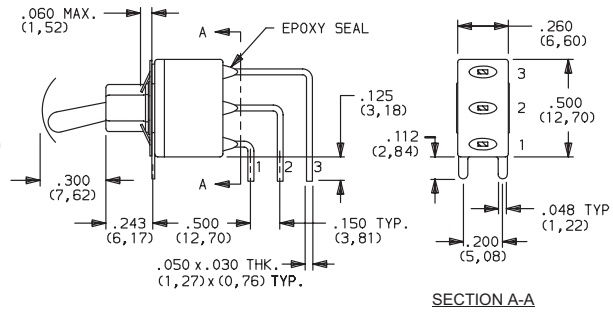
# C&K E Series Sealed Miniature Toggle Switches

## SWITCHES WITH STANDARD OPTIONS

Toggle

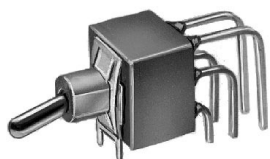


**E101MD1AV2BE**  
Vertical Actuation  
**SPDT**

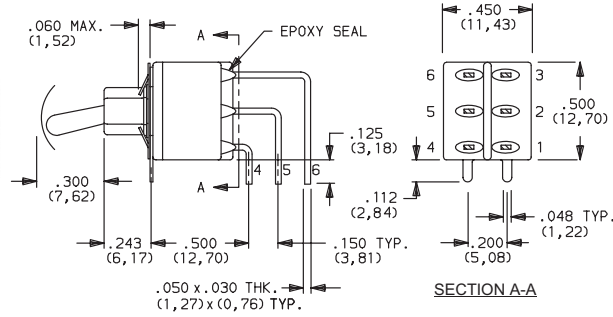


PART NUMBER	NO. POLES	POS. 1	POS. 2	POS. 3
<b>E101MD1AV2BE</b>	SPDT	ON	NONE	ON
<b>E103MD1AV2BE</b>		ON	OFF	ON
<b>E105MD1AV2BE</b>		MOM.	OFF	MOM.

MOM. = Momentary  
**NOTE:** For PC mounting information, see page A-26.



**E201MD1AV2BE**  
Vertical Actuation  
**DPDT**



PART NUMBER	NO. POLES	POS. 1	POS. 2	POS. 3
<b>E201MD1AV2BE</b>	DPDT	ON	NONE	ON
<b>E203MD1AV2BE</b>		ON	OFF	ON
<b>E205MD1AV2BE</b>		MOM.	OFF	MOM.

MOM. = Momentary  
**NOTE:** For PC mounting information, see page A-26.

## SWITCH FUNCTION

NO. POLES	MODEL NO.	SWITCH FUNCTION			CONNECTED TERMINALS			SCHEMATIC
		POS. 1	POS. 2	POS. 3	POS. 1	POS. 2	POS. 3	
SP	<b>E101 (STD.)</b>	ON	NONE	ON	2-3	OPEN	2-1	
	<b>E103 (STD.)</b>	ON	OFF	ON				
	<b>E105</b>	MOM.	OFF	MOM.				
	<b>E107</b>	ON	OFF	MOM.				
	<b>E108</b>	ON	NONE	MOM.				
DP	<b>E201 (STD.)</b>	ON	NONE	ON	2-3,5-6	OPEN	2-1,5-4	
	<b>E203 (STD.)</b>	ON	OFF	ON				
	<b>E205</b>	MOM.	OFF	MOM.				
	<b>E207</b>	ON	OFF	MOM.				
	<b>E208</b>	ON	NONE	MOM.				
	<b>E211 (STD.)**</b>	ON	ON	ON				
	<b>E213**</b>	ON	ON	MOM.				
<b>E215**</b>	MOM.	ON	MOM.					

MOM. = Momentary

\*\* Wiring for 3-way switch, see page L-29.

All models with all options when ordered with G, L, M or Q contact material.

# C&K E Series Sealed Miniature Toggle Switches

## SWITCH FUNCTION

NO. POLES	MODEL NO.	SWITCH FUNCTION			CONNECTED TERMINALS			SCHEMATIC
		POS. 1	POS. 2	POS. 3	POS. 1	POS. 2	POS. 3	
3P	<b>E301 (STD.)</b>	ON	NONE	ON	2-3,5-6,8-9	OPEN	2-1,5-4,8-7	
	<b>E303</b>	ON	OFF	ON				
	<b>E305</b>	MOM.	OFF	MOM.				
	<b>E307</b>	ON	OFF	MOM.				
	<b>E308</b>	ON	NONE	MOM.				

MOM. = Momentary

\*\* Wiring for 3-way switch, see page L-29.

All models with all options when ordered with G, L, M or Q contact material.

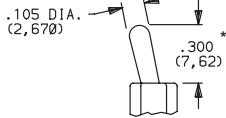
A  
Toggle

## ACTUATOR

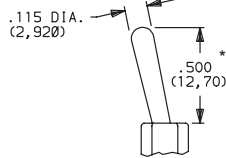
**M (STD.)** .300" HIGH

**S (STD.)** .500" HIGH

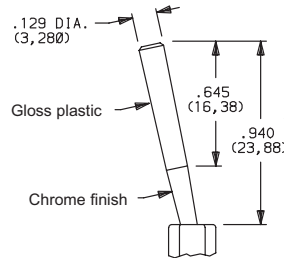
**L3** PLASTIC, .940" HIGH



Standard when ordered with A, A3, AV2, AV3, AW-AW5, R, R2, V2-V91 terminations.  
Finish: Chrome.



Standard when ordered with C, Z, Z3, W-W5 terminations.  
Finish: Chrome



OPTION CODE	L3 ACTUATOR COLOR
<b>2</b>	(STD.) BLACK
<b>1</b>	WHITE
<b>3</b>	RED

Other colors available, consult Customer Service Center. No color choice required for S & M actuators.

\* Actuators shown with standard D1 bushing. Subtract .030 (0,76) for D9 bushing. Subtract .100 (2,54) for Y bushing.

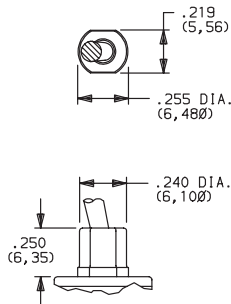
## BUSHING

**D1 (STD.)** .250" HIGH, UNTHREADED

**D9** .280" HIGH, UNTHREADED

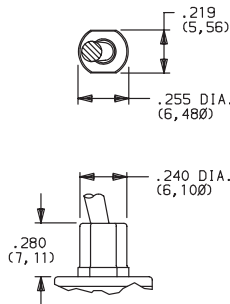
**Y** THREADED, INSULATED, .350" HIGH WITH KEYWAY

**F1 (STD.)** ESD CONDUCTIVE BUSHING, .250" HIGH, UNTHREADED



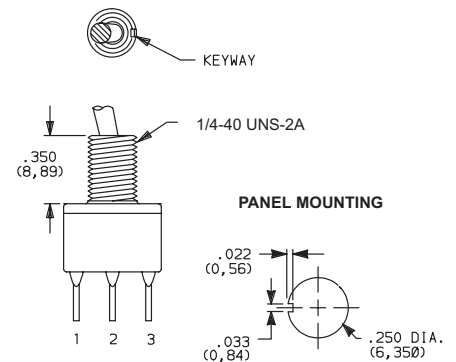
ESD protection depends on proper grounding of switch support bracket. F1 conductive bushing option is impregnated with carbon fibers; dissipates electrostatic discharge (ESD) up to 20,000 V from actuator to ground.

Available with M & S actuator options and A, A3, AW-AW5, AV2, AV3, R, R2, V2-V91 termination options.



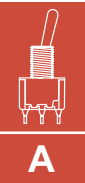
E3XX models not available with D9 bushing.

NOTE: Internal o-ring actuator seal standard for all bushing options.



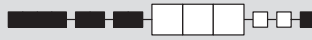
Available only with C, Z, Z3, W-W5 terminations. Hardware: One dress nut part number 780701201, one hex nut part number 540400201 and lockwasher part number 700303202 supplied standard.

# C&K E Series Sealed Miniature Toggle Switches

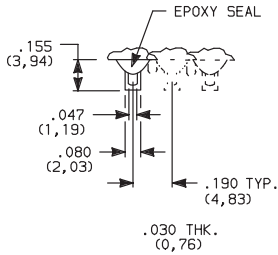


Toggle

## TERMINATIONS



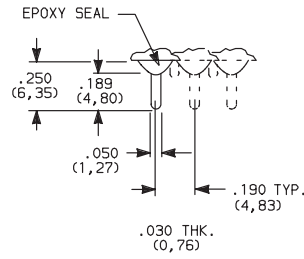
### Z (STD.) SOLDER LUG



### SPDT thru 3PDT

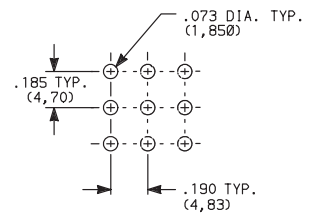
Not available with F1 conductive bushing or K, L or M contact material.

### C (STD.) PC THRU-HOLE



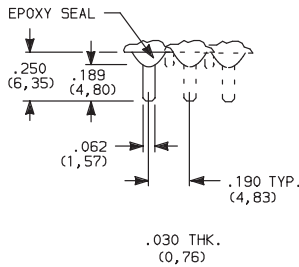
### SPDT thru 3PDT

#### PC MOUNTING



Not available with F1 conductive bushing.

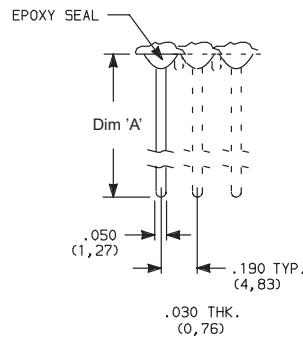
### Z3 QUICK CONNECT



### SPDT thru 3PDT

Not available with F1 conductive bushing or K, L or M contact material. Mating quick connector available, see section L, part number 530100000.

### W, W1, W3, W4, W5 WIRE WRAP



### SPDT thru 3PDT

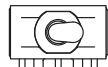
OPTION CODE	DIM 'A'
W	.750 (19,05)
W1	.964 (24,49)
W3	.425 (10,80)
W4	1.062 (26,97)
W5	1.305 (33,15)

Not available with F1 conductive bushing.

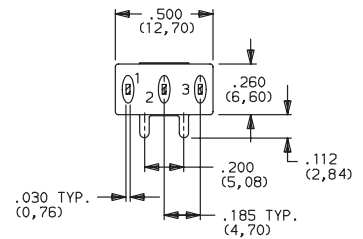
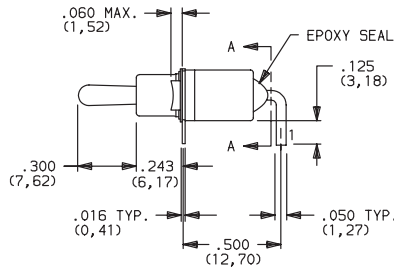
### A (STD.) RIGHT ANGLE, PC THRU-HOLE



E101MD1ABE  
Horizontal Actuation  
SPDT

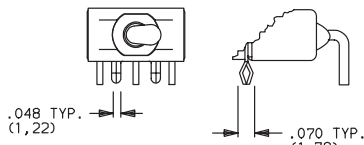


Actuator Shown In Pos. 1

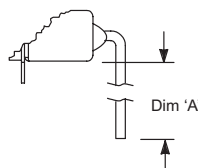


SECTION A-A  
Terminal Nos. For Reference Only

### A3 RIGHT ANGLE, SNAP-IN, PC THRU-HOLE

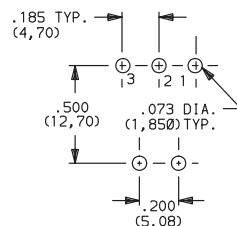


### AW, AW1, AW3, AW4 RIGHT ANGLE, EXTENDED, PC THRU-HOLE



OPTION CODE	DIM 'A'
AW	.50 (12,7)
AW1	.72 (18,3)
AW3	.20 (5,1)
AW4	.83 (21,1)

#### PC MOUNTING

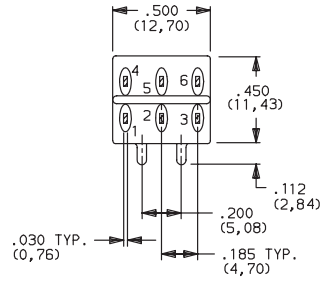
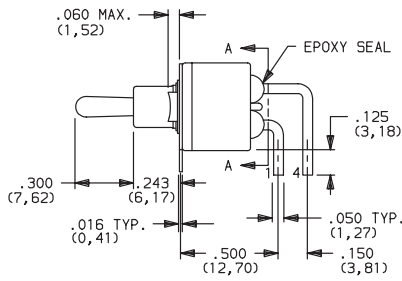
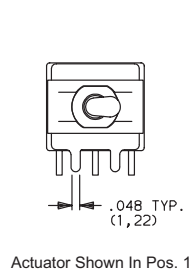


Not available with Y bushing.  
Terminal bend radii and lead-in manufacturing option.

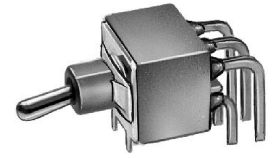
# C&K E Series Sealed Miniature Toggle Switches

## TERMINATIONS

### A (STD.) RIGHT ANGLE, PC THRU-HOLE

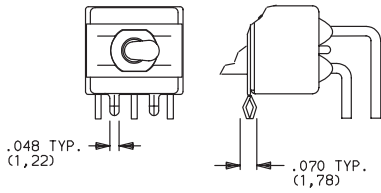


Terminal Nos. For Reference Only

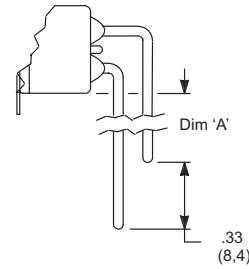


**E201MD1ABE**  
Horizontal Actuation  
**DPDT**

### A3 RIGHT ANGLE, SNAP-IN, PC THRU-HOLE

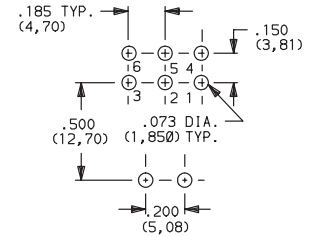


### AW, AW1, AW4 RIGHT ANGLE, EXTENDED



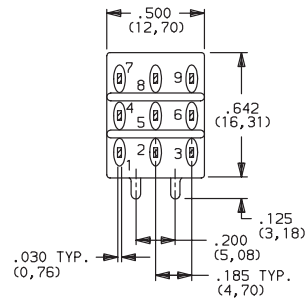
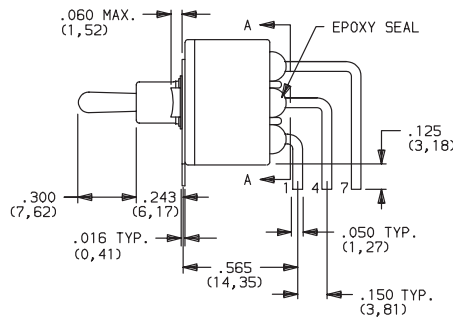
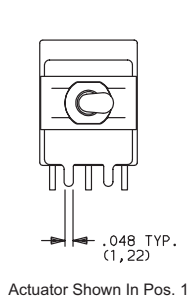
OPTION CODE	DIM 'A'
<b>AW</b>	.21 (5,3)
<b>AW1</b>	.42 (10,7)
<b>AW4</b>	.52 (13,2)

### PC MOUNTING

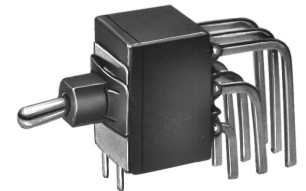


Not available with Y bushing.  
Terminal bend radii and lead-in manufacturing option.

### A (STD.) RIGHT ANGLE, PC THRU-HOLE

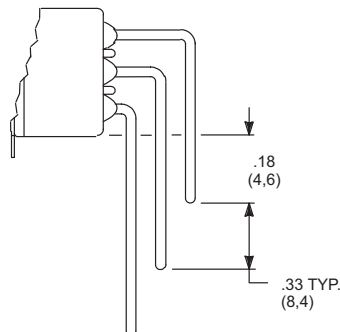


Terminal Nos. For Reference Only

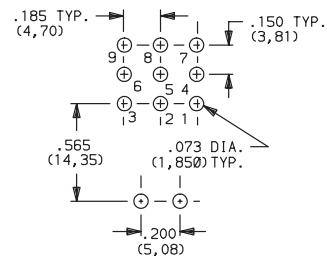


**E301MD1ABE**  
Horizontal Actuation  
**3PDT**

### AW4 RIGHT ANGLE, EXTENDED, PC THRU-HOLE



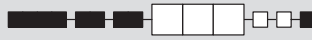
### PC MOUNTING



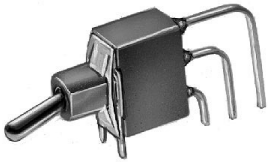
Not available with D9 & Y bushings.  
Terminal bend radii and lead-in manufacturing option.

# C&K E Series Sealed Miniature Toggle Switches

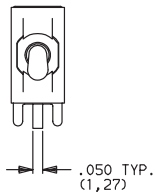
## TERMINATIONS



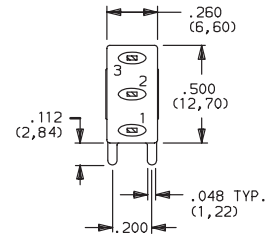
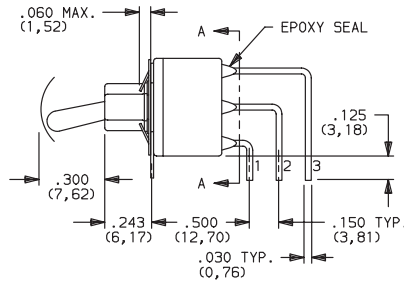
**AV2** (STD.) VERTICAL RIGHT ANGLE, PC THRU-HOLE,  
.150" PITCH



**E101MD1AV2BE**  
Vertical Actuation  
**SPDT**

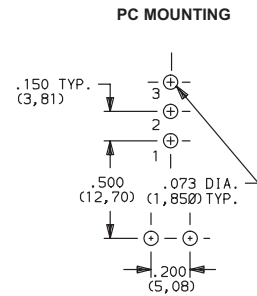
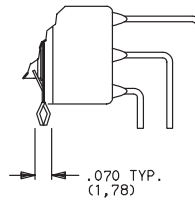
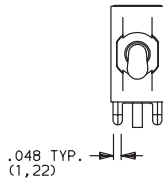


Actuator Shown In Pos. 1



SECTION A-A

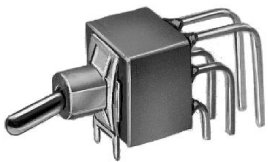
**AV3** VERTICAL RIGHT ANGLE, SNAP-IN, PC THRU-HOLE,  
.150" PITCH



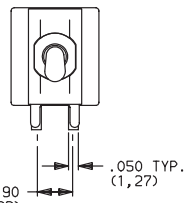
PC MOUNTING

Not available with Y bushing.  
Terminal bend radii and lead-in manufacturing option.

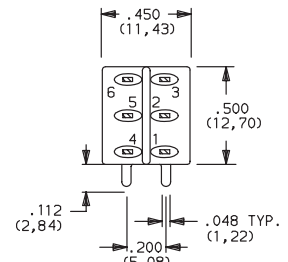
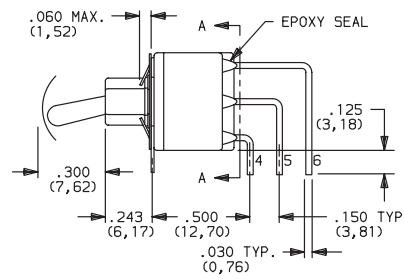
**AV2** (STD.) VERTICAL RIGHT ANGLE, PC THRU-HOLE,  
.150" PITCH



**E201MD1AV2BE**  
Vertical Actuation  
**DPDT**

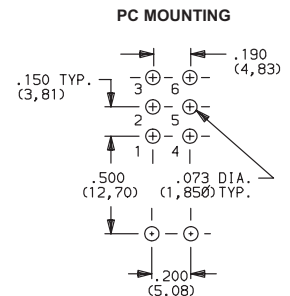
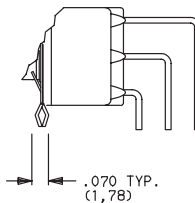
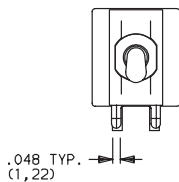


Actuator Shown In Pos. 1



SECTION A-A

**AV3** VERTICAL RIGHT ANGLE, SNAP-IN, PC THRU-HOLE,  
.150" PITCH



PC MOUNTING

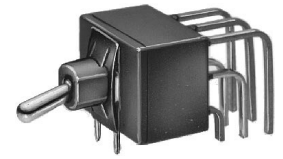
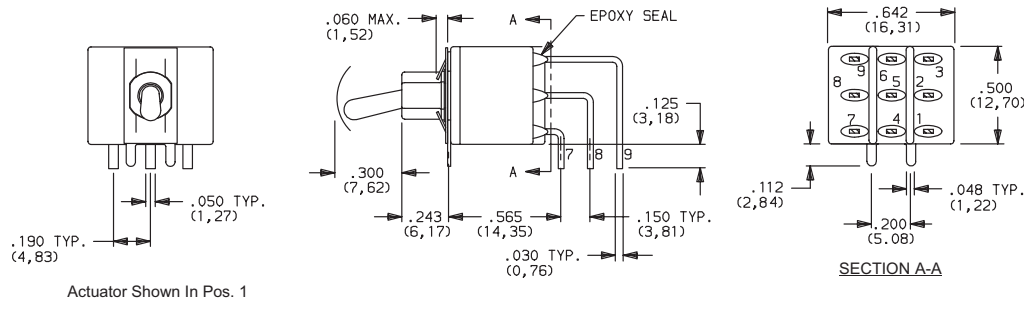
Not available with Y bushing.  
Terminal bend radii and lead-in manufacturing option.



# C&K E Series Sealed Miniature Toggle Switches

## TERMINATIONS

**AV2** (STD.) VERTICAL RIGHT ANGLE, PC THRU-HOLE,  
.150" PITCH

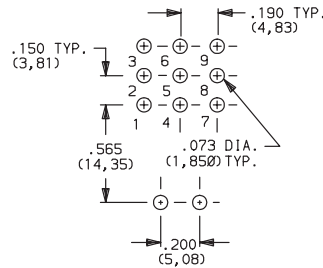


**E301MD1AV2BE**  
Vertical Actuation  
**3PDT**

**AV3** VERTICAL RIGHT ANGLE, SNAP-IN, PC THRU-HOLE,  
.150" PITCH

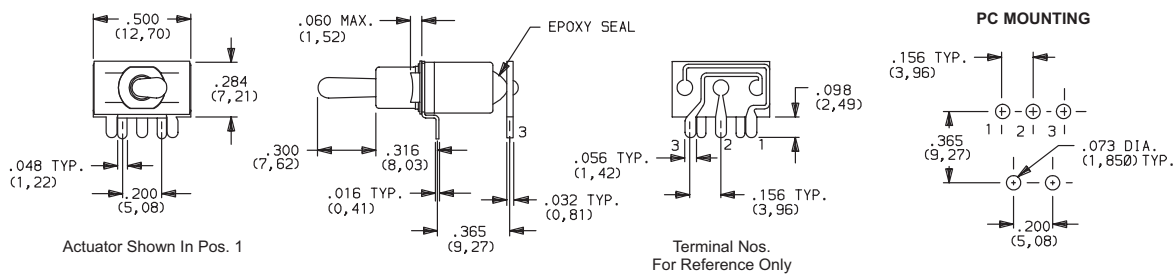


### PC MOUNTING



Not available with D9 & Y bushings.  
Terminal bend radii and lead-in manufacturing option.

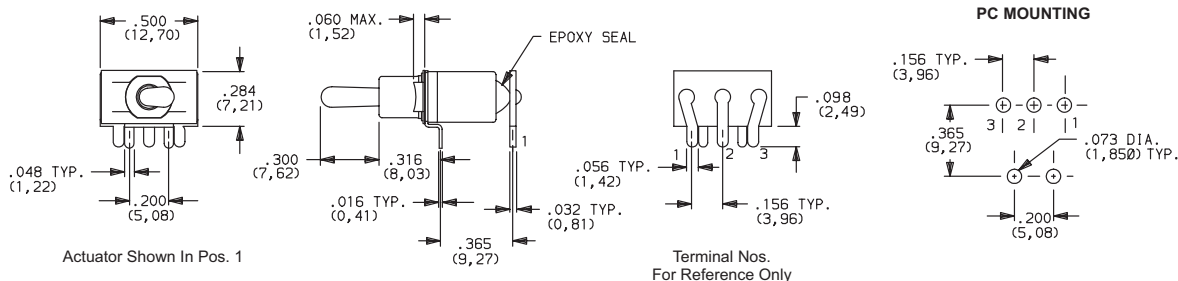
**R** RIGHT ANGLE WITH PCB



**E101MD1RBE**  
Horizontal Actuation  
**SPDT**

Not available with Y bushing. Contact makes on same side  
actuator thrown. Available with B contact material only.

**R2** RIGHT ANGLE WITH PCB



**E101MD1R2BE**  
Horizontal Actuation  
**SPDT**

Not available with Y bushing. Contact makes on opposite side  
actuator thrown. Available with B contact material only.

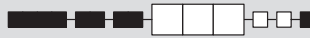


A

Toggle

# C&K E Series Sealed Miniature Toggle Switches

## TERMINATIONS

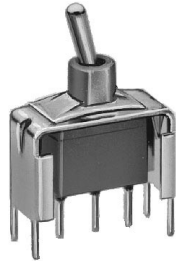


Toggle

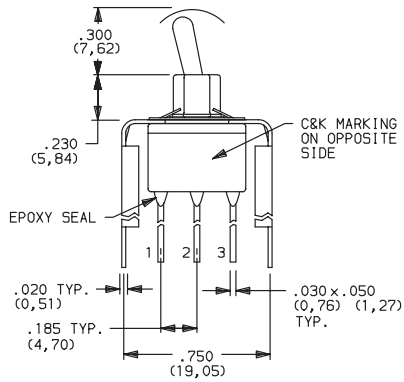
A

**V2, V6, V7, V8** VERTICAL MOUNT, V-BRACKET

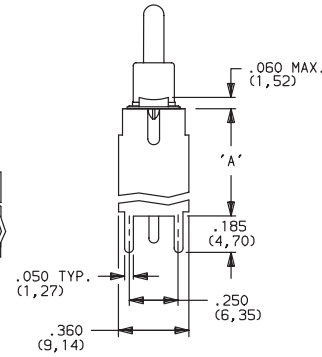
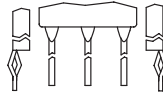
**V21, V61, V71, V81** VERTICAL MOUNT, V-BRACKET, SNAP-IN



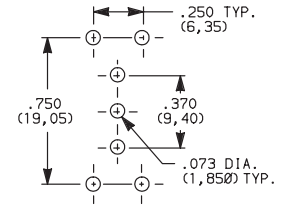
E101MD1\_BE  
SPDT



Actuator Shown In Pos. 1



### PC MOUNTING

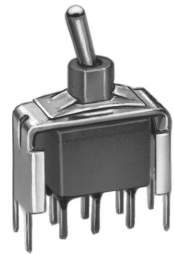


OPTION CODE	DIM 'A'
<b>V2, V21</b>	.555 (14,10)
<b>V6, V61</b>	.460 (11,68)
<b>V7, V71</b>	.630 (16,00)
<b>V8, V81</b>	.953 (24,21)

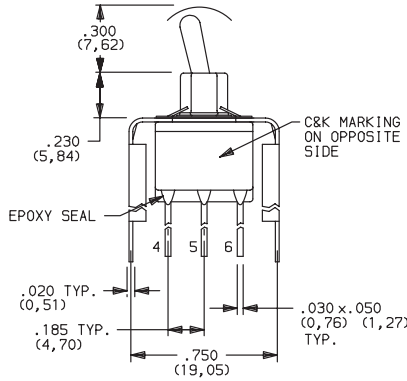
Not available with Y bushing.

**V2, V6, V7, V8** VERTICAL MOUNT, V-BRACKET

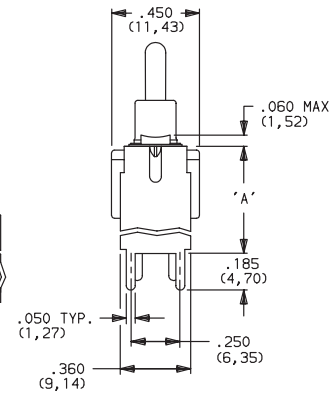
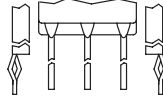
**V21, V61, V71, V81** VERTICAL MOUNT, V-BRACKET, SNAP-IN



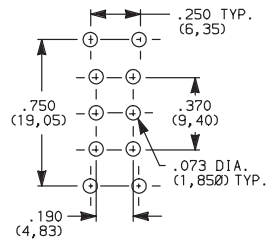
E201MD1\_BE  
DPDT



Actuator Shown In Pos. 1



### PC MOUNTING

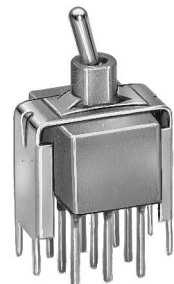


OPTION CODE	DIM 'A'
<b>V2, V21</b>	.555 (14,10)
<b>V6, V61</b>	.460 (11,68)
<b>V7, V71</b>	.630 (16,00)
<b>V8, V81</b>	.953 (24,21)

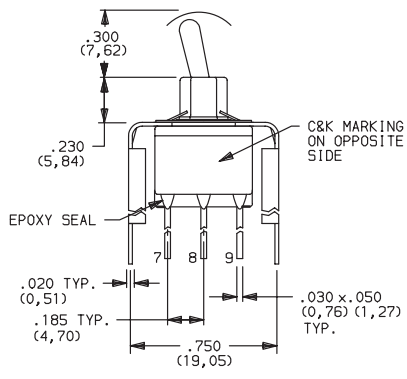
Not available with Y bushing.

**V2, V7, V8** VERTICAL MOUNT, V-BRACKET

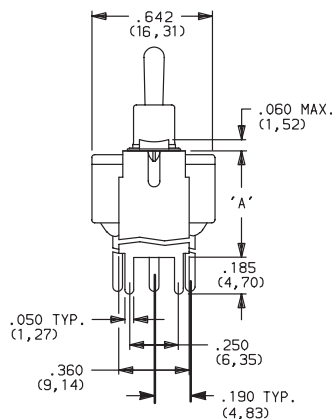
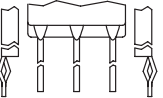
**V21, V71, V81** VERTICAL MOUNT, V-BRACKET, SNAP-IN



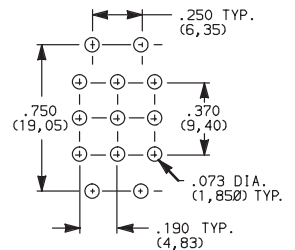
E301MD1\_BE  
3PDT



Actuator Shown In Pos. 1



### PC MOUNTING



OPTION CODE	DIM 'A'
<b>V2, V21</b>	.555 (14,10)
<b>V7, V71</b>	.630 (16,00)
<b>V8, V81</b>	.953 (24,21)

Not available with D9 & Y bushings.

## TERMINATIONS

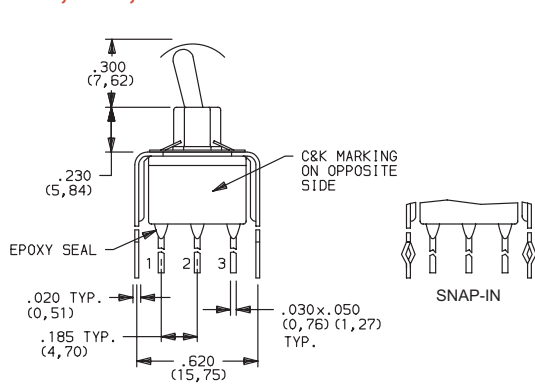


A

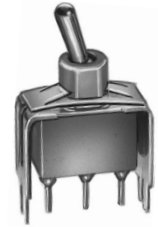
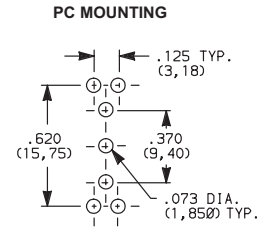
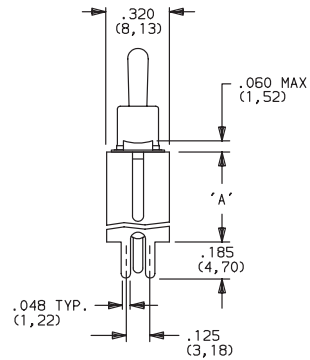
Toggle

**V3 (STD.), V4, V9** VERTICAL MOUNT, V-BRACKET

**V31, V41, V91** VERTICAL MOUNT, V-BRACKET, SNAP-IN



Actuator Shown In Pos. 1



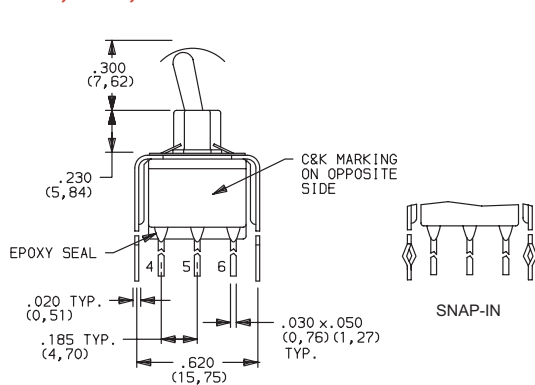
E101MD1\_BE  
SPDT

OPTION CODE	DIM 'A'
<b>V3, V31</b>	.460 (11,68)
<b>V4, V41</b>	.630 (16,00)
<b>V9, V91</b>	1.150 (29,21)

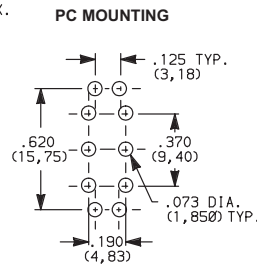
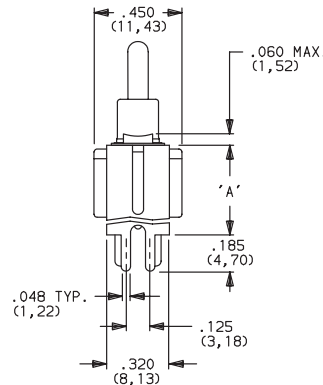
Not available with Y bushing.

**V3 (STD.), V4, V9** VERTICAL MOUNT, V-BRACKET

**V31, V41, V91** VERTICAL MOUNT, V-BRACKET, SNAP-IN



Actuator Shown In Pos. 1



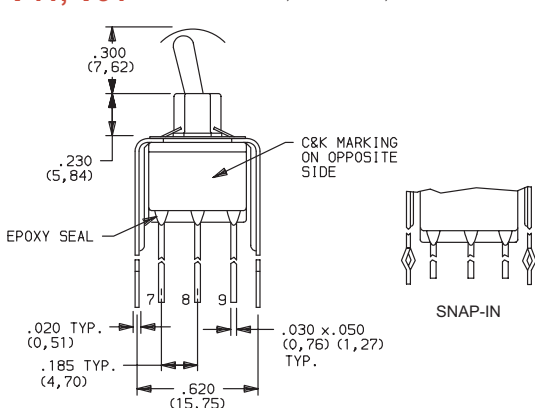
E201MD1\_BE  
DPDT

OPTION CODE	DIM 'A'
<b>V3, V31</b>	.460 (11,68)
<b>V4, V41</b>	.630 (16,00)
<b>V9, V91</b>	1.150 (29,21)

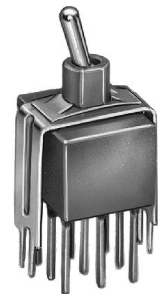
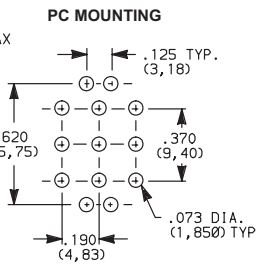
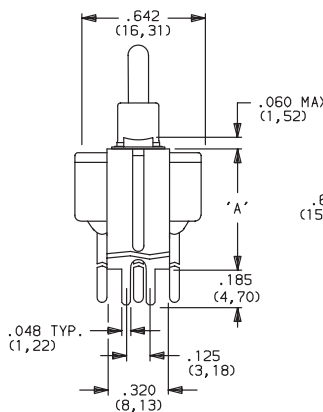
Not available with Y bushing.

**V4, V9** VERTICAL MOUNT, V-BRACKET

**V41, V91** VERTICAL MOUNT, V-BRACKET, SNAP-IN



Actuator Shown In Pos. 1



E301MD1\_BE  
3PDT

OPTION CODE	DIM 'A'
<b>V4, V41</b>	.630 (16,00)
<b>V9, V91</b>	1.150 (29,21)

Not available with D9 & Y bushings.

# C&K E Series Sealed Miniature Toggle Switches

## CONTACT MATERIAL





Toggle  
A

OPTION CODE	CONTACT MATERIAL	TERMINAL PLATING	RATINGS	
<b>B (STD.)</b>	GOLD <sup>1</sup>	GOLD <sup>1</sup>	LOW LEVEL/DRY CIRCUIT	0.4 VA MAX. @ 20 V AC OR DC MAX.
<b>K</b>		TIN-LEAD <sup>6</sup>		
<b>Q</b>	SILVER <sup>4,5</sup>	SILVER <sup>5</sup>	POWER	E1XX & E2XX MODELS: 7.5 AMPS @ 125 V AC OR 28 V DC; 3 AMPS @ 250 V AC. E3XX MODELS: 5 AMPS @ 125 V AC OR 28 V DC; 2 AMPS @ 250 V AC.
<b>M</b>		TIN-LEAD <sup>6</sup>		
<b>G</b>	GOLD OVER SILVER <sup>2,3</sup>	GOLD <sup>3</sup>	LOW LEVEL/DRY CIRCUIT OR POWER	E1XX AND E2XX MODELS: 0.4 VA MAX @ 20 V AC OR DC MAX. OR 7.5 AMPS @ 125 V AC OR 28 V DC; 3 AMPS @ 250 V AC. E3XX MODELS: 0.4 VA MAX. @ 20 V AC OR DC MAX. OR 5 AMPS @ 125 V AC OR 28 V DC; 2 AMPS @ 250 V AC.
<b>L</b>		TIN-LEAD <sup>6</sup>		

CONTACT MATERIAL/APPLICATION RECOMMENDATIONS—SEE CHART, PAGE L-31.

- <sup>1</sup> CONTACTS & TERMINALS: Copper alloy, with gold plate over nickel plate.
- <sup>2</sup> END CONTACTS: Coin silver, with gold plate over nickel plate.
- <sup>3</sup> CENTER CONTACTS & ALL TERMINALS: Copper alloy, with gold plate over nickel plate.
- <sup>4</sup> END CONTACTS: Coin silver, silver plated.
- <sup>5</sup> CENTER CONTACT & ALL TERMINALS: Copper alloy, silver plated.
- <sup>6</sup> TERMINALS: Copper alloy, with tin-lead alloy over nickel plate.

All models   with all options when ordered with G, L, M or Q contact material.

B contact material standard with all terminations.

B contact material must be ordered with R & R2 terminations.

K, L & M contact materials not available with Z & Z3 terminations.

## SEAL

### E (STD.) EPOXY SEAL

