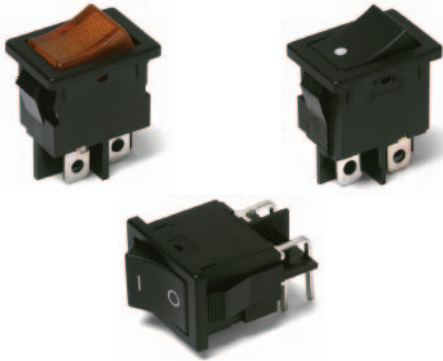


DT Series Miniature Power Rocker Switches



Features/Benefits

- Illuminated versions available
- Double pole switching in miniature package
- Snap-in mounting
- RoHS compliant

Typical Applications

- Small appliances
- Computers and peripherals
- Medical instrumentation



Specifications

CONTACT RATING:
 UL/CSA: 8 AMPS @ 125 VAC, 4 AMPS @ 250 VAC
 VDE: 10 AMPS @ 125 VAC, 6 AMPS @ 250 VAC.
 ELECTRICAL LIFE: 10,000 make and break cycles at full load.
 INSULATION RESISTANCE: $10^8 \Omega$ min.
 DIELECTRIC STRENGTH: 1,500 VRMS @ sea level.
 OPERATING TEMPERATURE: -20°C to +85°C

Materials

HOUSING AND ACTUATOR: 6/6 nylon (UL94V-2), black, matte finish.
 ILLUMINATED ACTUATOR: Polycarbonate, matte finish.
 CENTER CONTACTS: Silver plated, copper alloy.
 END CONTACTS: Silver plated AgCdO.
 ALL TERMINALS: Silver plated, copper alloy.

NOTE: Specifications and materials listed above are for switches with standard options. For information on specific and custom switches, consult Customer Service Center.

Build-A-Switch

To order, simply select desired option from each category and place in the appropriate box. Available options are shown and described on pages G-67 through G-69. For additional options not shown in catalog, consult Customer Service Center.

<p>Switch Function</p> <p>DT12 SPST On-None-Off DT22 DPST On-None-Off</p> <p>Actuator</p> <p>J1 Rocker J2 Two-tone rocker J3 Illuminated rocker</p> <p>Actuator Color</p> <p>1-5 See Chart on Page G-68 R Red, illuminated A Amber, illuminated G Green, illuminated</p> <p>Mounting Style/Color</p> <p>S2 Snap-in, black S1 Snap-in, white B2 Recessed snap-in bracket, black G2 Guard, black</p> <p>Termination</p> <p>15 .187" quick connect 02 PC Thru-hole A Right angle, PC thru-hole</p> <p>Actuator Marking</p> <p>(NONE) No marking D ON-OFF H "O I" - international ON-OFF N Large dot P "O -" international ON-OFF</p> <p>Contact Rating</p> <p>QA Silver (UL/CSA) QF Silver (VDE)*</p> <p>Lamp Rating</p> <p>(NONE) No lamp 7 125 VAC neon 8 250 VAC neon</p>	
---	--

* QF available with termination 15 only.

Rocker



G

C&K

Dimensions are shown: Inches (mm)
 Specifications and dimensions subject to change

DT Series Miniature Power Rocker Switches

SWITCH FUNCTION



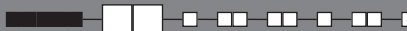
NO. POLES	MODEL NO.	SWITCH FUNCTION		CONNECTED TERMINALS		SCHEMATIC
		POS 1	POS 3	POS 1	POS 3	
		C&K marking on opposite side		C&K marking on opposite side		
SP	DT12	ON	OFF	2-1	OPEN	 For Illuminated Versions
DP	DT22	ON	OFF			 For Illuminated Versions

.591 (15,0)
.504 (12,8)
.315 (8,0)
.484 (12,3)

.827 (21,0)
.079 (2,0)
.551 (14,0)
.866 (22,0)
.098 DIA. (ø2,5)
.187 (4,75)
.197 (5,0)
.157 (4,0)
.724 (18,4)

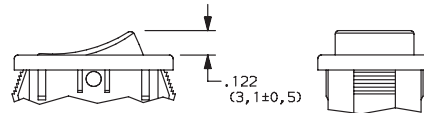
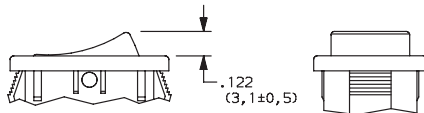
.122 (3,1±0,5)
.031 (0,8±0,05)
.197 (5,0±0,5)

ACTUATOR



- J1** ROCKER
- J3** ILLUMINATED ROCKER

- J2** TWO-TONE ROCKER



*Dimensions are shown: Inches (mm)
Specifications and dimensions subject to change*



DT Series Miniature Power Rocker Switches

ACTUATOR COLOR



	OPTION CODE	ACTUATOR COLOR
For J1 only	2	BLACK
	1	WHITE
	3	RED
For J3 only	R	RED, ILLUMINATED
	A	AMBER, ILLUMINATED
	G	GREEN, ILLUMINATED

OPTION CODE	ACTUATOR COLOR	
	TOP	BOTTOM
1	WHITE	RED
2	WHITE	BLACK
3	RED	WHITE
4	BLACK	WHITE
5	BLACK	RED

J2 actuator only

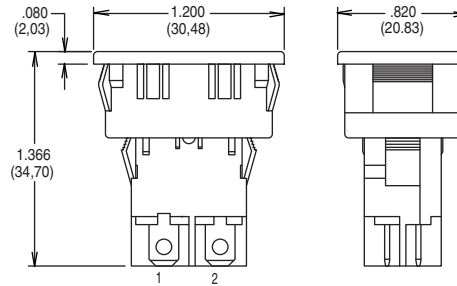
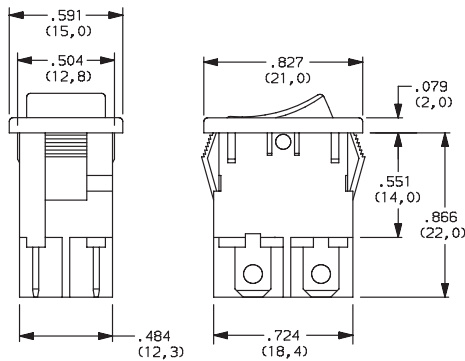
MOUNTING STYLE/COLOR



S2 SNAP-IN, BLACK

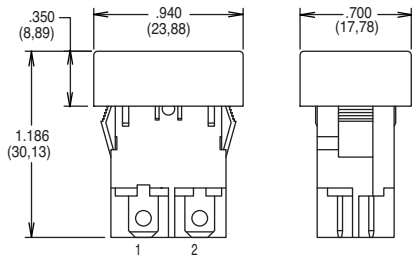
S1 SNAP-IN, WHITE

B2 RECESSED SNAP-IN BRACKET, BLACK

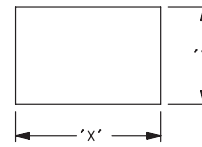


NOTE: Available with DT102 switch functions only.

G2 GUARD, BLACK



PANEL MOUNTING



PANEL THICKNESS	"X"	"Y"
0.030-0.049 (0,75-1,25)	0.756-.004 (19,2-0,1)	0.512+.004 (13,0+0,1)
0.049-0.079 (1,25-2,0)	0.764-.004 (19,4-0,1)	0.512+.004 (13,0+0,1)
0.079-0.118 (2,0-3,0)	0.780-.004 (19,8-0,1)	0.512+.004 (13,0+0,1)

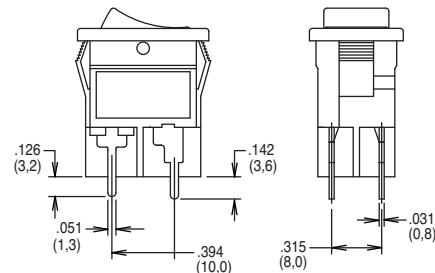
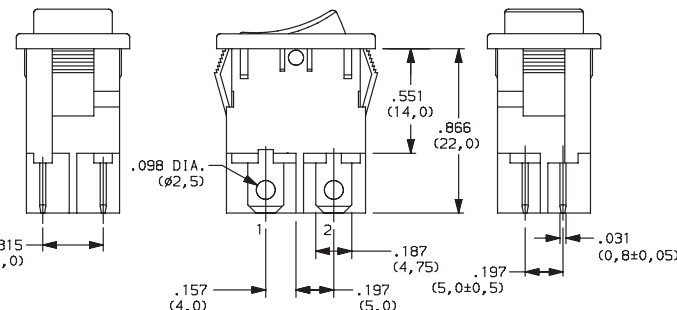
TERMINATION



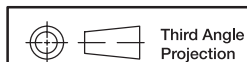
15 .187" QUICK CONNECT

02 PC THRU-HOLE

Rocker



NOTE: No VDE approval of this option.



Third Angle Projection

Dimensions are shown: Inches (mm)

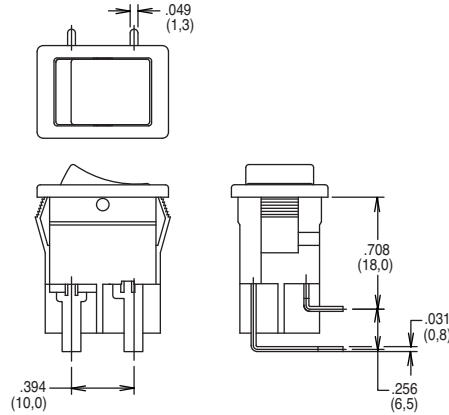
Specifications and dimensions subject to change



DT Series Miniature Power Rocker Switches

TERMINATION

A RIGHT ANGLE, PC THRU-HOLE



NOTE: No VDE approval of this option.

ACTUATOR MARKING

NONE NO MARKING



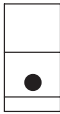
D ON-OFF



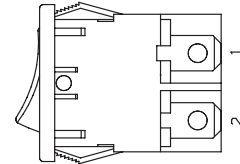
H O-I



N LARGE DOT



P O-



NOTE: Orientation of actuator marking and terminals.

CONTACT MATERIAL

OPTION CODE	CONTACT AND TERMINAL MATERIAL	RATINGS	
		QA	SILVER
QF	SILVER	POWER	10 AMPS @ 125 VAC; 6 AMPS @ 250 VAC (VDE)

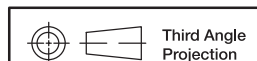
*1 QF available with termination 15 only.

LAMP RATING

(NONE) NO LAMP

7 125 VAC 33kΩ NEON

8 250 VAC 150kΩ NEON



Third Angle Projection

Dimensions are shown: Inches (mm)
Specifications and dimensions subject to change

www.ck-components.com

