

ZMA Series Subminiature Snap-acting Switches



Features/Benefits

- *Reliable snap-acting mechanism*
- *Long electrical and mechanical life*
- *Compact size—Ideal when space is limited*
- *Various PCB terminals and actuators*
- *RoHS compatible & compliant*

Typical Applications

- *PCB detection switch*
- *Communication devices*
- *Testing equipment*
- *Security/Alarm systems*
- *Consumer electronics*



Specifications

CONTACT RATING: 3A @ 125 V AC / 0.1A @ 30 V DC.
 ELECTRICAL LIFE: 300,000 cycles @ 0.1A / 10,000 cycles @ 3A.
 INSULATION RESISTANCE: 100 M ohm min.
 DIELECTRIC STRENGTH: 500 Vrms.
 STORAGE TEMPERATURE: -40°C to 85°C for 00A rating; -30°C to 85°C for 03A rating
 OPERATING FORCE: 80 or 150 grams.

* Low Level=conditions where no arcing occurs during switching, i.e., 0.4 VA max. @ 20 V AC or DC max.

Materials

CASE/COVER: PBT
 ACTUATOR: Nylon 6/6
 MOVABLE CONTACTS: Silver or gold plated.
 STATIONARY CONTACTS: Silver or gold plated.
 TERMINALS: Brass, tin plated.

NOTE: Specifications and materials listed above are for switches with standard options. For information on specific and custom switches, consult Customer Service Center.

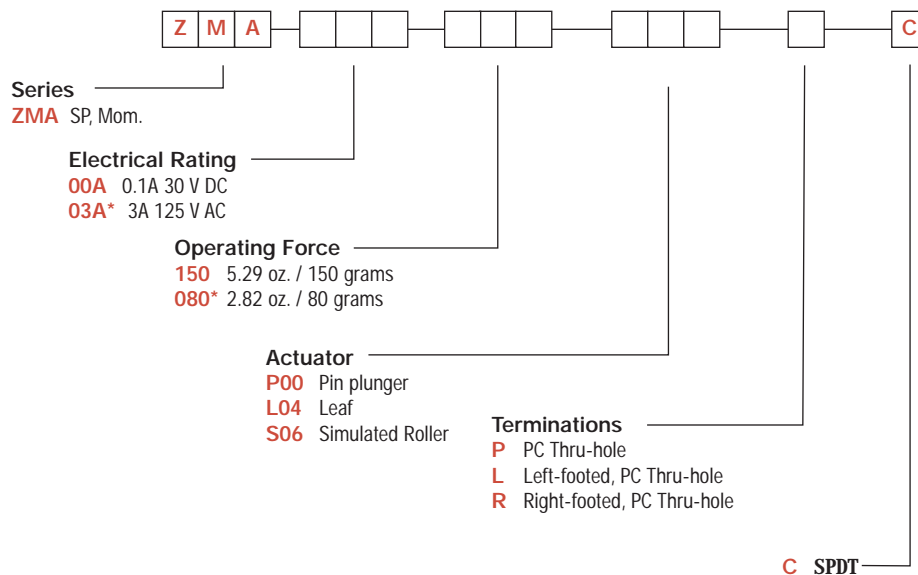


K

Snap-acting

Build-A-Switch

To order, simply select desired option from each category and place in the appropriate box. Available options are shown and described on pages K-37 and K-38. For additional options not shown in catalog, consult Customer Service Center.



*Electrical rating 03A is not available with Operating Force rating of 080.

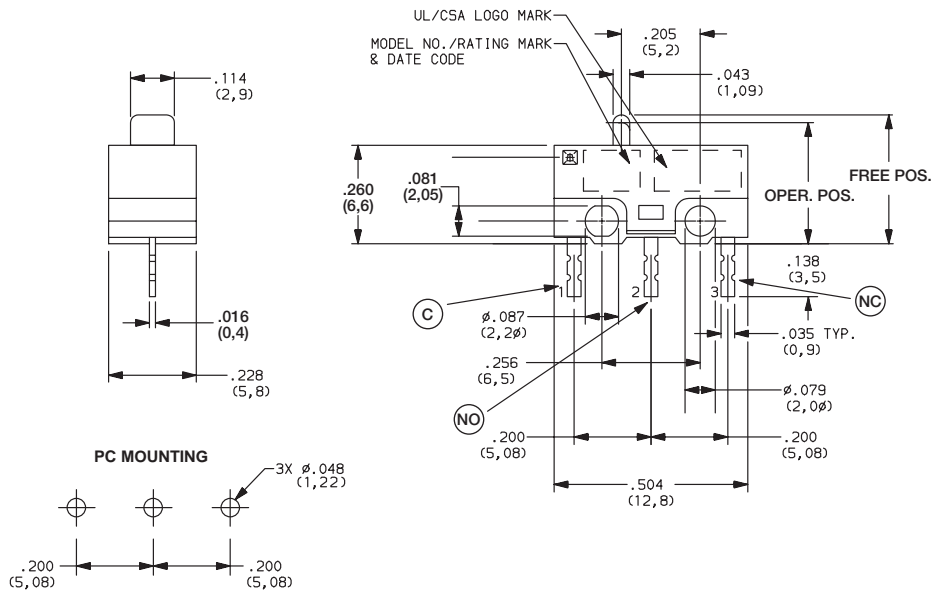


Dimensions are shown: Inch (mm)
 Specifications and dimensions subject to change

ZMA Series Subminiature Snap-acting Switches

SERIES **Z M** ■ ■ ■ ■ ■ ■ ■ ■

ZMA SUBMINIATURE SNAP-ACTING SWITCHES – SP MOMENTARY



ZMA03A150L04PC
SPDT



K

Snap-acting

ELECTRICAL RATING ■ ■ ■ ■ ■ ■ ■ ■

OPTION CODE	CONTACT MATERIAL		ELECTRICAL RATING
	MOVABLE CONTACT	STATIONARY CONTACT	
00A	Gold over fine silver	Gold over fine silver	0.1 AMP @ 30 V DC
03A*	Fine Silver	Fine silver	3 AMPS @ 125 V AC

* Note: See Technical Data in section N of this catalog for RoHS compliant and compatible definition and specifications.

All models with all options.

Consult Customer Service center for availability and delivery of nonstandard ratings.

*Electrical rating 03A is not available with Operating Force rating of 080.

OPERATING FORCE ■ ■ ■ ■ ■ ■ ■ ■

OPTION CODE	BASIC SWITCH OPERATING FORCE (OZ./GRAMS)
150	5.29 150
080*	2.82 80

*Electrical rating 03A is not available with Operating Force rating of 080.



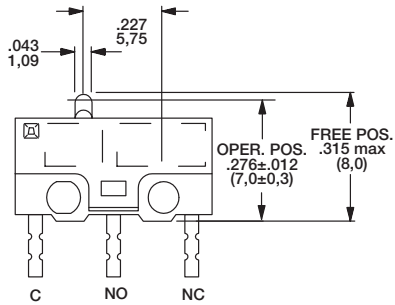
Third Angle Projection

Dimensions are shown: inch (mm)
Specifications and dimensions subject to change

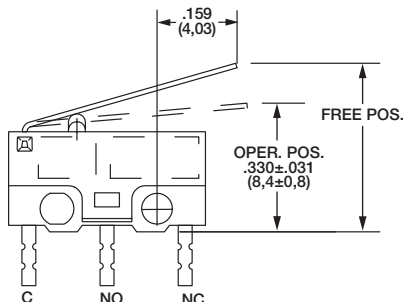
ZMA Series Subminiature Snap-acting Switches

ACTUATOR

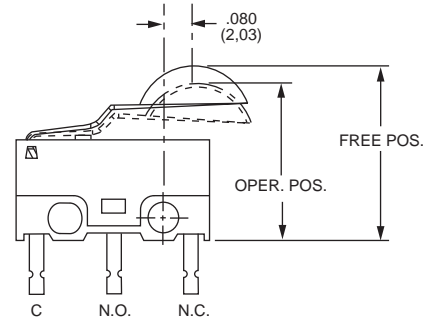
P00 PIN PLUNGER



L04 LEAF



S06 SIMULATOR ROLLER

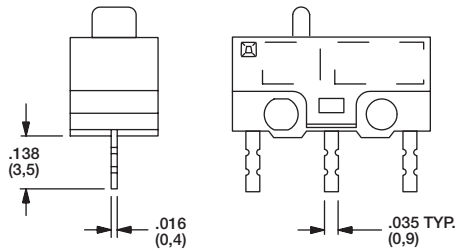


SWITCH CHARACTERISTICS

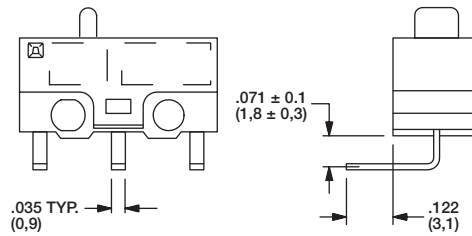
Option Code	Maximum Operate Force (oz. / grams)		Minimum Release Force (oz./grams)		Free Position Max	Maximum Pre-travel	Operate Position	Maximum Differential	Minimum Overtravel
	080	150	080	150	All	All	All	All	All
P00	2.82 80	5.29 150	0.35 10	0.71 20	0.289 (7,35)	0.024 (0,62)	0.217 +/- 0.015 (5,5 +/- 0,38)	0.005 (0,12)	0.008 (0,2)
L04	1.06 30	1.76 50	0.18 5	0.28 8	0.398 (10,1)	0.031 (3,0)	0.252 +/- 0.031 (6,4 +/- 0,8)	0.031 (0,8)	0.024 (0,6)
S05	2.05 50	5.10 144	0.20 5.66	0.38 1.077	0.450 max. (11,42)	0.031 3.0	0.406 +/- 0.031 (10,31 +/- 0,8)	0.031 (0,8)	0.024 0.6

TERMINATIONS

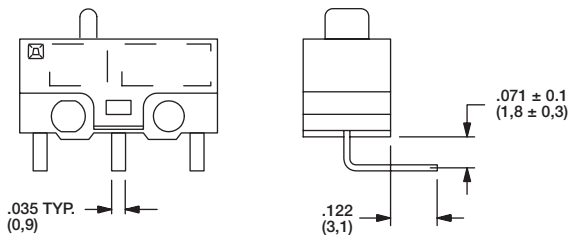
P PC THRU-HOLE



L LEFT FOOTED, PC THRU-HOLE



R RIGHT FOOTED, PC THRU-HOLE



Dimensions are shown: Inch (mm)
Specifications and dimensions subject to change

www.ck-components.com

