

# TPC Series Tri-direction Scan Switch

## Features/Benefits

- One touch, 3 way switching
- Superior tactile feel
- Rotation of actuator closes two individual contacts
- Ultra-low profile housing
- Normally open contacts
- Custom actuator by request
- RoHS compliant and compatible

## Typical Applications

- Mobile phones, pagers
- PDA
- Handheld electronic devices
- Digital cameras, camcorders
- Communication equipment



TPC 1133G



TPC 2133G

## Construction

FUNCTION: Multi-directional momentary action  
CONTACT ARRANGEMENT: Make contact = SP, N.O.  
TERMINALS: Gullwing type for SMT

## Mechanical

MAXIMUM ACTUATION FORCE: 20 N (select), 10 N (left & right).  
OPERATING FORCE/TRAVEL:

Direction	Actuation Force	Travel
Left	0.8 ± 0.5 N	16' ± 4'
Right	0.8 ± 0.5 N	16' ± 4'
Select	1.8 ± 0.6 N	0.75 +/-0.15 mm

Operating life = 150 K cumulated operations (50 K ops in both scanning directions then 50 K ops in select direction)

## Packaging

Tape and reels in reels of 2,000 pieces.  
External diameter 330mm ± 2mm.

## Electrical

MAXIMUM POWER: 1.0 VA  
MAXIMUM VOLTAGE: 32 V  
MAXIMUM CURRENT DC: 50 mA  
MINIMUM CURRENT DC: 1 mA  
LOW LEVEL USE: 20mV-1mA  
DIELECTRIC STRENGTH: 250 Vrms  
CONTACT RESISTANCE: ≤ 300 mΩ (select) ≤ 1Ω (left & right)  
INSULATION RESISTANCE (100 VDC): 10<sup>9</sup> Ω  
BOUNCE TIME: < 10 ms

## Environmental

	SILVER	GOLD
OPERATING TEMPERATURE:	-40°C to 85°C	-40°C to 125°C
STORAGE TEMPERATURE:	-55°C to 85°C	-55°C to 125°C

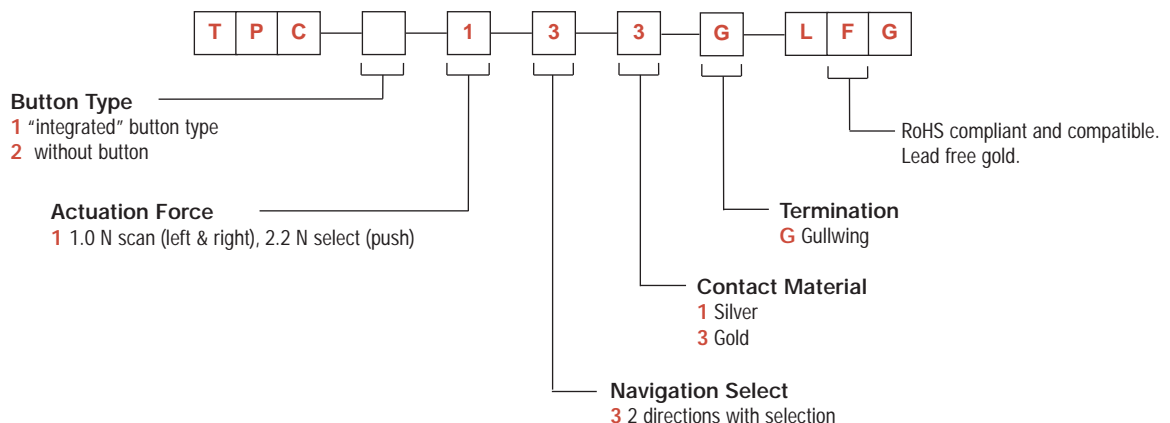
## Process

Infrared reflow soldering in accordance with IEC 61760-1

Note: Specifications listed above are for switches with standard options.

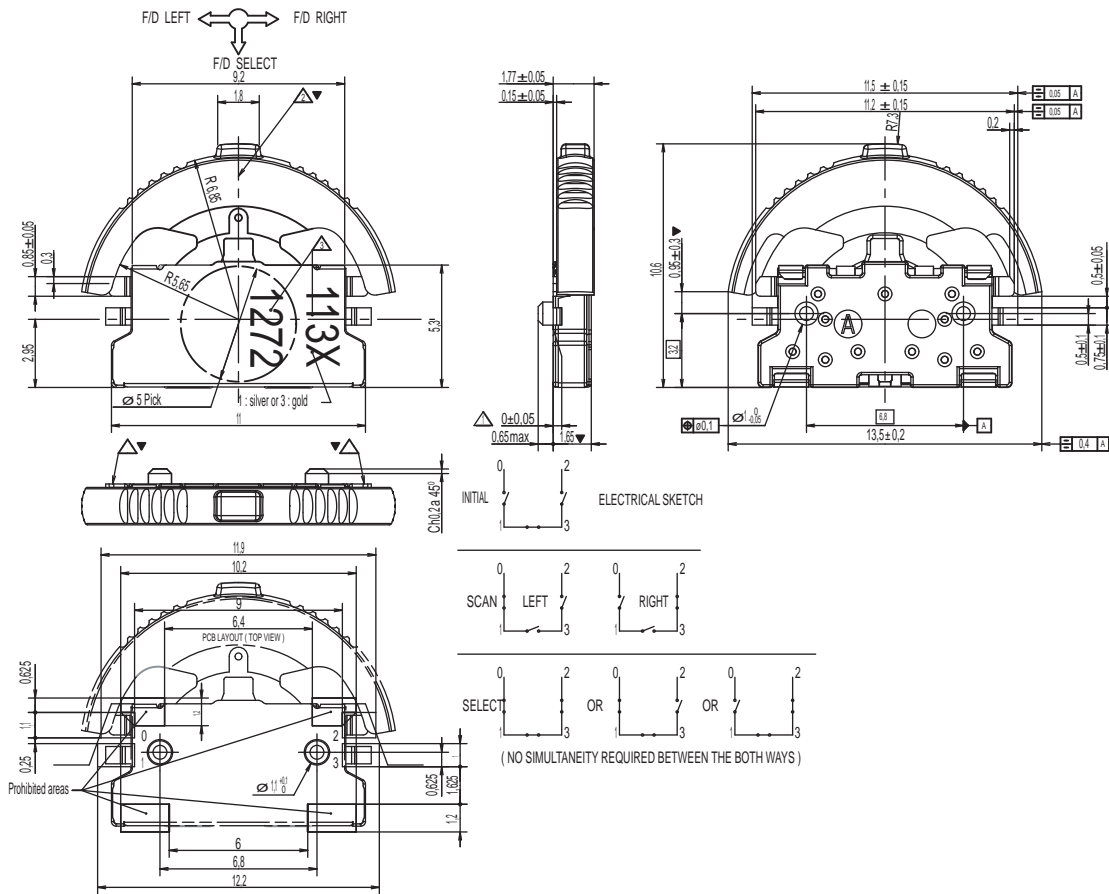
## How To Order

Our easy build-a-switch concept allows you to mix and match options to create the switch you need. To order, select desired option from each category and place it in the appropriate box.

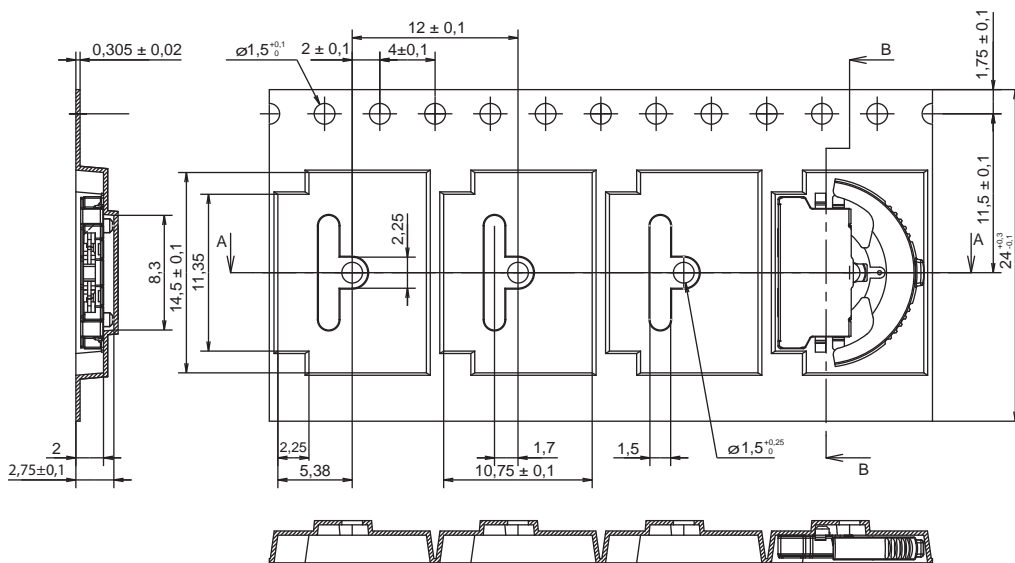


# TPC Series Tri-direction Scan Switch

## TPC 1133G



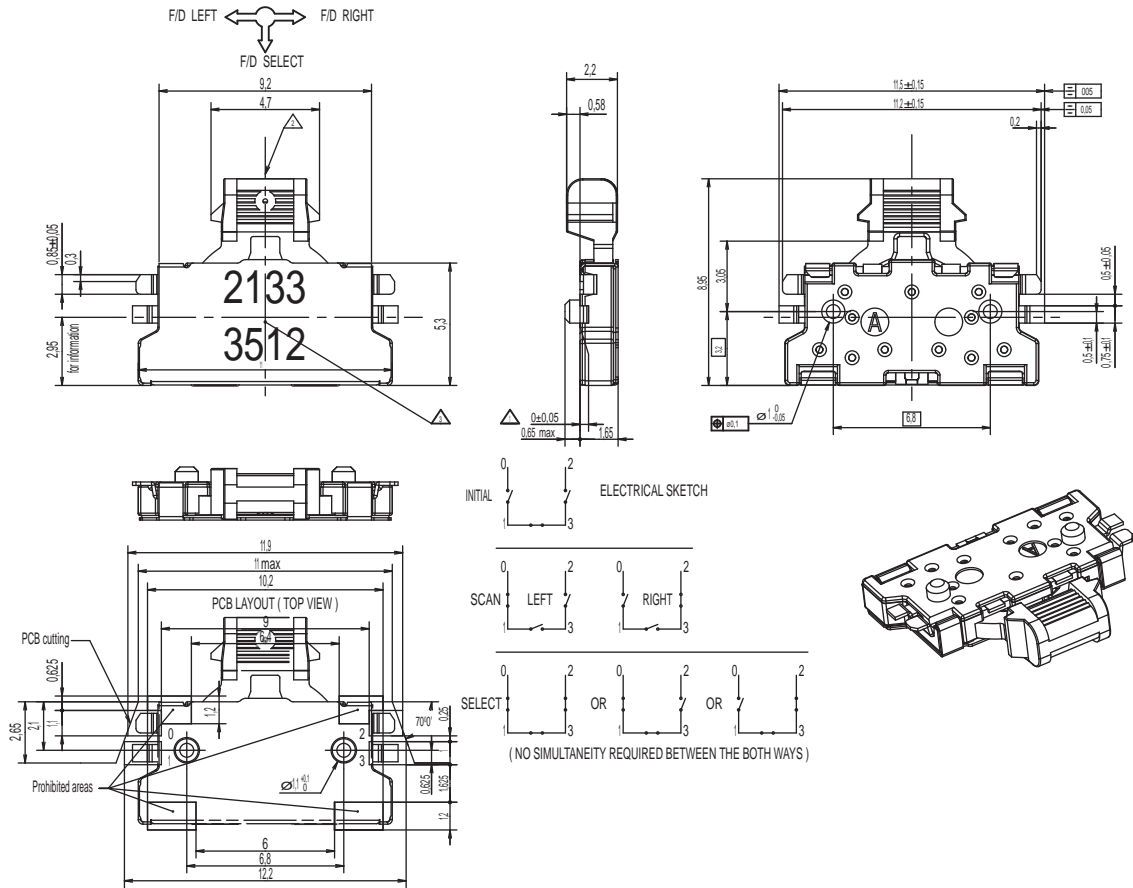
## TAPE & REEL



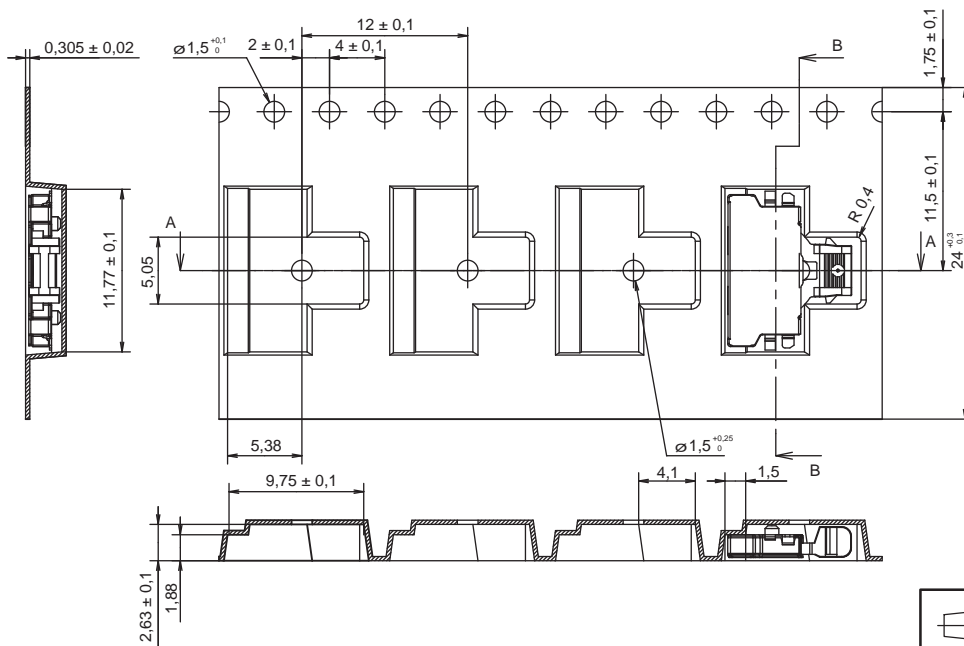
First Angle  
Projection

Dimensions are shown: mm (inch)  
Specifications and dimensions subject to change

## TPC2133G



## TAPE & REEL



Dimensions are shown: mm (inch)  
Specifications and dimensions subject to change