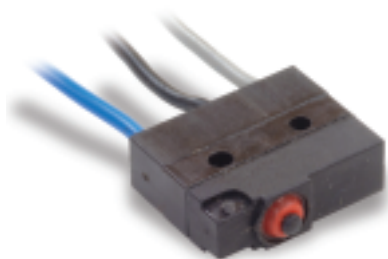


# LCS Series Subminiature Sealed Snap-acting Switches



## Features/Benefits

- Compact design
- Long life and high electrical capacity
- Quick connect, solder terminals, PC terminals, wire leads
- Wide variety of actuator styles
- RoHS compatible

## Typical Applications

- Motorized equipment
- Sump pump
- Thermostatic controls



## Specifications

CONTACT RATING: 3(1)A 250 VAC T85  
6A 125 VAC

ELECTRICAL LIFE: 6,000 cycles at 6 AMPS @ 125 V AC UL  
10,000 cycles at 3(1) Amp 250 V AC ENEC

INSULATION RESISTANCE: 100 M ohm min.

DIELECTRIC STRENGTH: 1,500 Vrms min. @ sea level.

OPERATING TEMPERATURE: -40°C to +105°C

OPERATING FORCE: 60 grams and 150 grams at actuator button  
MAX. Forces are less at free end of lever actuators;  
(see ACTUATOR'S option sections).

MOUNTING: 2-56 screws, torque 2.3 in/lbs max.

## Materials

SWITCH HOUSING: Thermoplastic polyester or high temperature thermoplastic (PTS) (UL 94V-0).

ACTUATOR BUTTON: Thermoplastic polyester.

SPRING: Copper alloy.

PIVOT: Copper alloy.

MOVABLE CONTACTS: Silver nickel

STATIONARY CONTACTS: Silver nickel on copper alloy.

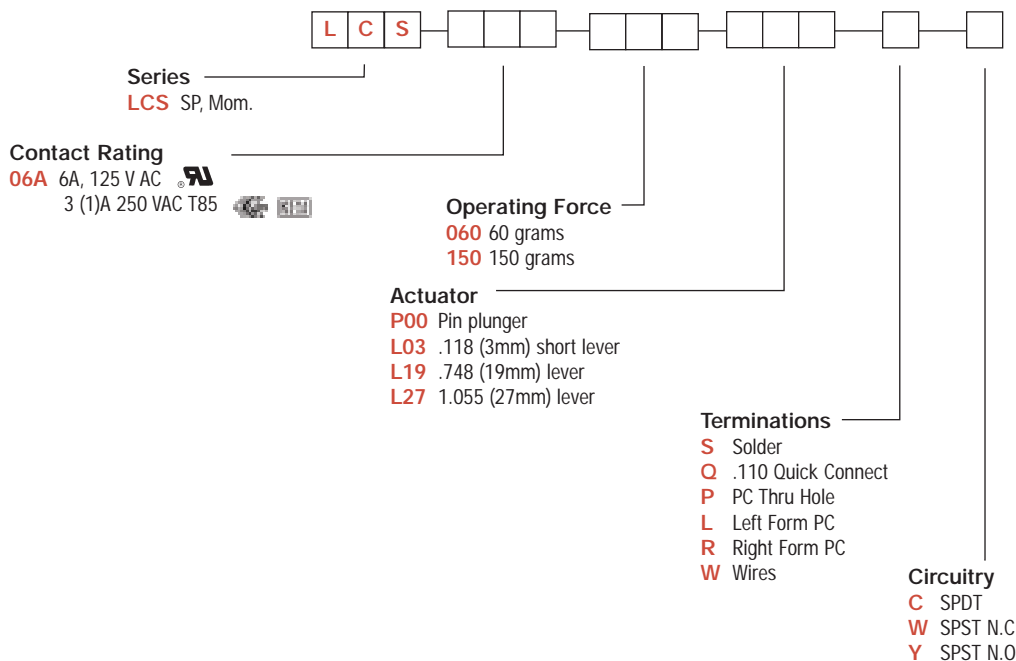
TERMINALS: Copper alloy.

ACTUATOR LEVEL: Stainless steel.

NOTE: Specifications and materials listed above are for switches with standard options.  
For information on specific and custom switches, consult Customer Service center.

## Build-A-Switch

To order, simply select desired option from each category and place in the appropriate box. Available options are shown and described on pages K-27 thru K-29. For additional options not shown in catalog, consult Customer Service Center.



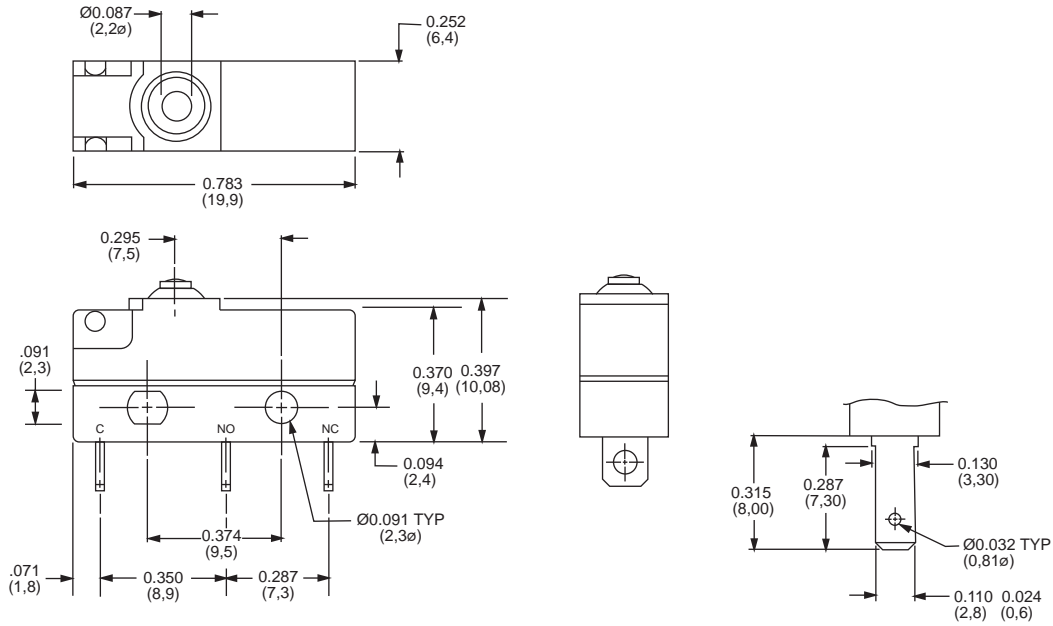
Dimensions are shown: Inch (mm)  
Specifications and dimensions subject to change



# LCS Series Subminiature Sealed Snap-acting Switches

## SERIES

LCS



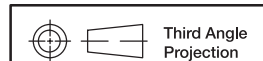
## ELECTRICAL RATING

RoHS COMPLIANT *	RoHS COMPATIBLE *	OPTION CODE	ELECTRICAL RATING	
YES	YES	<b>06A</b>	3(1)A 250 V AC T85 6A 125 VAC	

\* Note: See Technical Data section of this catalog for RoHS compliant and compatible definition and specifications.  
\*\* For electrical rating below .1 Amp, contact customer service.

## OPERATING FORCE

OPTION CODE	OPERATING FORCES (grams)
<b>060</b>	60 grams max.
<b>150</b>	150 grams max



Dimensions are shown: Inch (mm)  
Specifications and dimensions subject to change

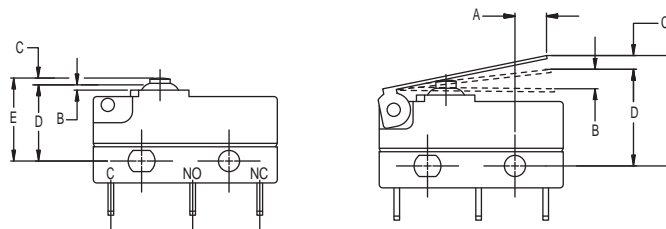
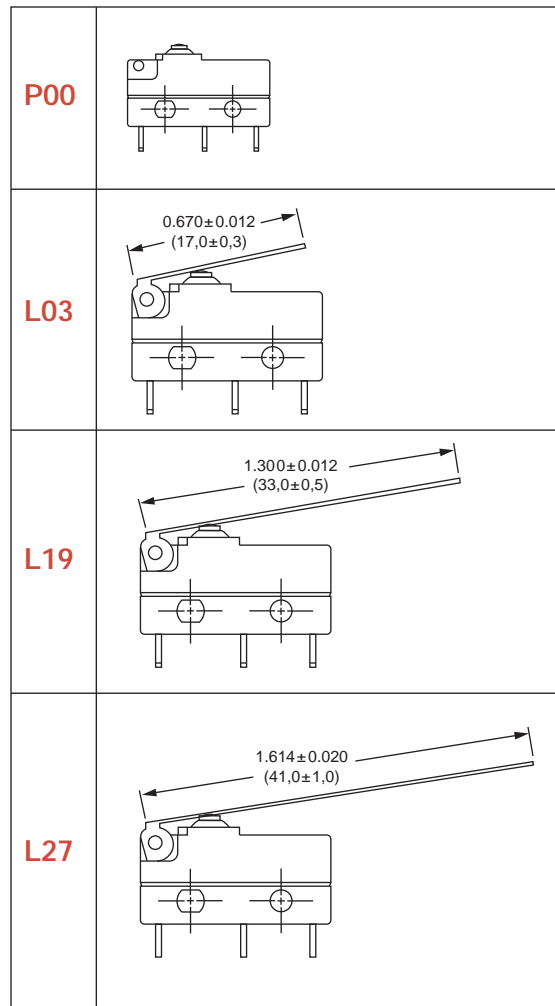


# LCS Series Subminiature Sealed Snap-acting Switches

ACTUATOR 



Snap-acting



ACTUATOR OPTION CODE	A	B	C	D	E	FORCE (GRAMS)	
	LENGTH OF LEVER	OVER TRAVEL (MIN)	PRE TRAVEL (MAX)	OPERATING POSITION	FREE POSITION (MAX)	060	150
P00	N/A	0.24 (0,60)	0.039 (1,0)	0.335±.016 (8,5±0,4)	0.374 (9,5)	60±20	150±45
L03	0.110±.039 (2,8±1,0)	0.047 (1,20)	0.142 (3,6)	0.370±.039 (9,4±1,0)	0.476 (12,1)	20±10	50±20
L19	0.728±.059 (18,5±1,5)	0.079 (2,0)	0.284 (7,2)	0.406±.059 (10,3±1,5)	0.610 (15,5)	10±8	24±20
L27	1.039±.059 (26,4±1,5)	0.095 (2,4)	0.354 (9,0)	0.421±.059 (10,7±1,5)	0.689 (17,5)	8±6	20±15



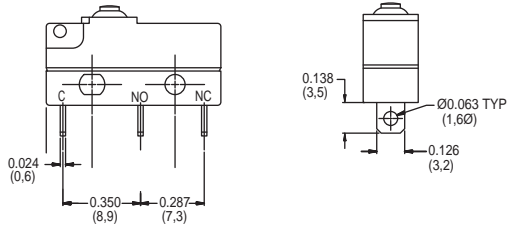
Dimensions are shown: Inch (mm)  
Specifications and dimensions subject to change



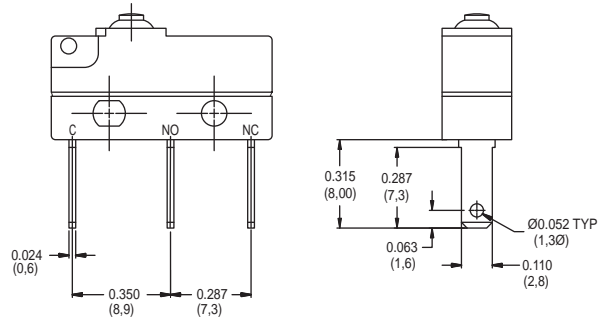
# LCS Series Subminiature Sealed Snap-acting Switches

## TERMINATIONS

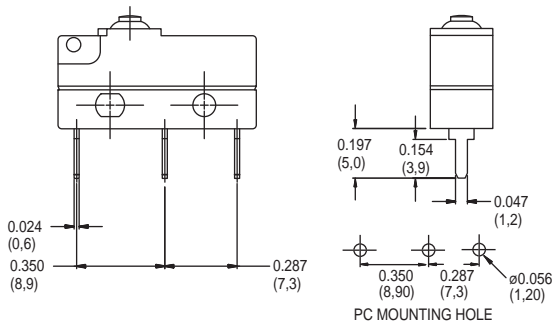
**S** SOLDER



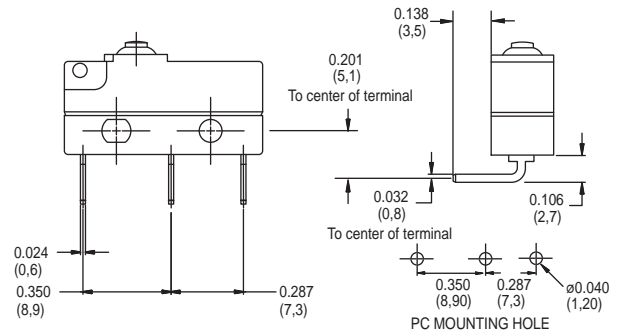
**Q** QUICK CONNECT



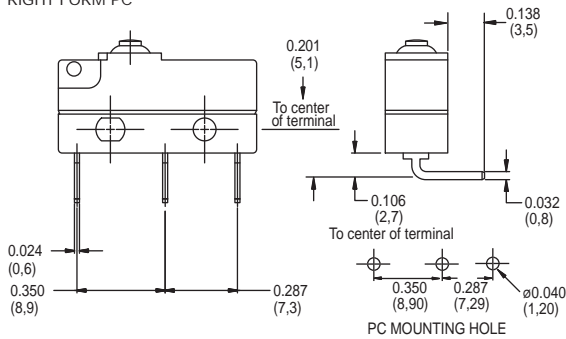
**P** PC THRU HOLE



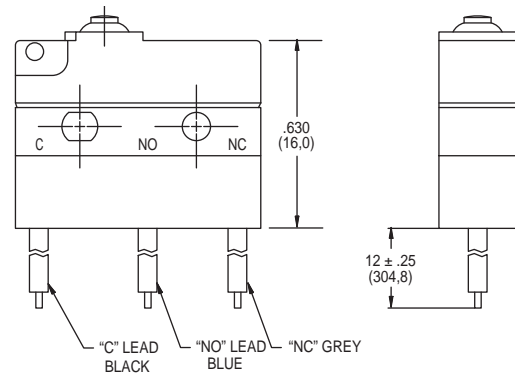
**L** LEFT FORM PC



**R** RIGHT FORM PC



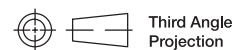
**W** WIRES



**K**  
Snap-acting

## CIRCUITRY

- C** SPDT (Single Pole, Double Throw)
- W** SPST N.C. (Single Pole, Single Throw, Normally Closed)
- Y** SPST N.O. (Single Pole, Single Throw, Normally Open)



Third Angle  
Projection



Dimensions are shown: Inch (mm)  
Specifications and dimensions subject to change