

# KST Series Long Travel Tact Switch for SMT

## Features/Benefits

- Rubber actuator
- Silver contact material
- J or G terminals
- Compatible with pick and place machines
- IP 40 sealed
- RoHS compliant and compatible

## Typical Applications

- Front panel
- Car dashboards
- Telephone set
- Instrumentation



B

Tactile Switches

## Specification

FUNCTION: Momentary  
CONTACT ARRANGEMENT: 1 make contact = SPST N.O.  
TERMINALS: J Bend or Gullwing type for SMT

## Mechanical

MAXIMUM APPLIED FORCE: 40 N (400 grams)

Type	Operating force Fa N (grams)±30%	Operating life (operations)	Travel to make
KST221G / J	1,6-3,2	100,000	1,3+0,3/-0.2
KST241G / J	2,45-4,55	100,000	1,3+0,3/-0.2

## Packaging

Switches are delivered on continuous tape and reels of 1,000 pieces, 330 (12.992) external diameter. Other dimensions according to EIA-RS-481 standard.

## Electrical

	Silver	Gold
SWITCHING POWER MAX.:	1.0 VA	0.50 VA
MAXIMUM POWER:	0.2 VA	0.2 VA
MAXIMUM VOLTAGE:	32 VDC	32 VDC
MINIMUM VOLTAGE:	20 mV	20 mV
MAXIMUM CURRENT:	10 mA	10 mA
MINIMUM CURRENT:	1 mA	1 mA
DIELECTRIC STRENGTH (50 Hz, 1 min.):	> 250 V	
CONTACT RESISTANCE:	<100m Ω	
INSULATION RESISTANCE:	<10 <sup>9</sup> Ω	
BOUNCE TIME:	< 1 ms	

## Environmental

OPERATING TEMPERATURE: -40°C to +85°C  
STORAGE TEMPERATURE: -40°C to +85°C

## Process

Compatible with the lead free soldering profile.

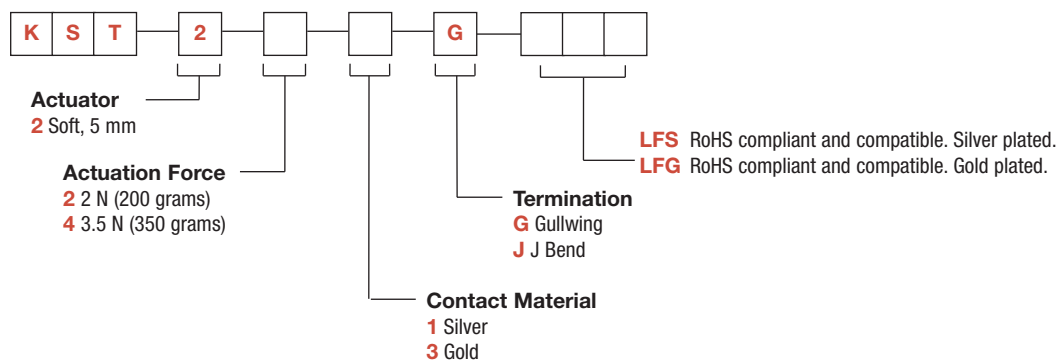
**NOTE:** Specifications listed above are for switches with standard options.  
For information on specific and custom switches, consult Customer Service Center.

## How To Order

Our easy build-a-switch concept allows you to mix and match options to create the switch you need. To order, select desired option from each category and place it in the appropriate box.

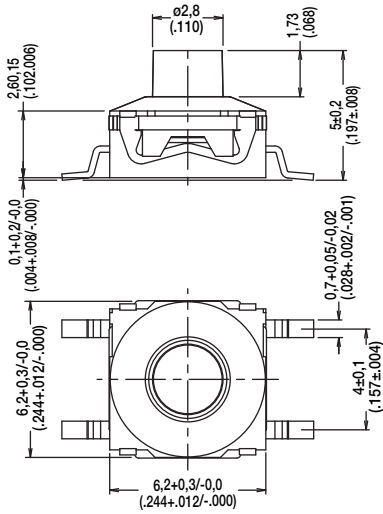
**However, please note that all the combinations of these options are not feasible.**

**For any part number different from those listed above, please consult your local representative.**

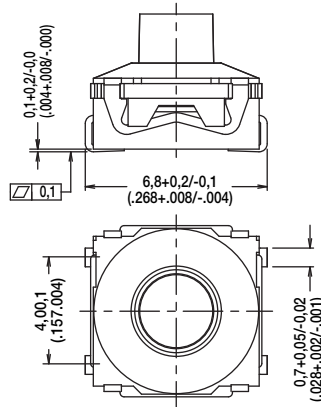


# KST Series Long Travel Tact Switch for SMT

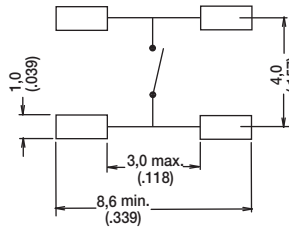
**KST**



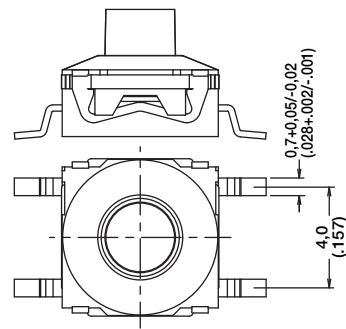
**J J BEND**



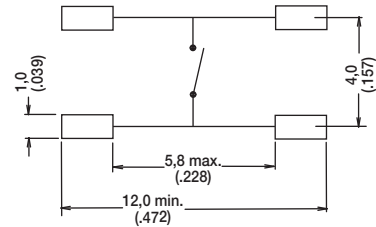
**PAD LAYOUT**



**G GULLWING**

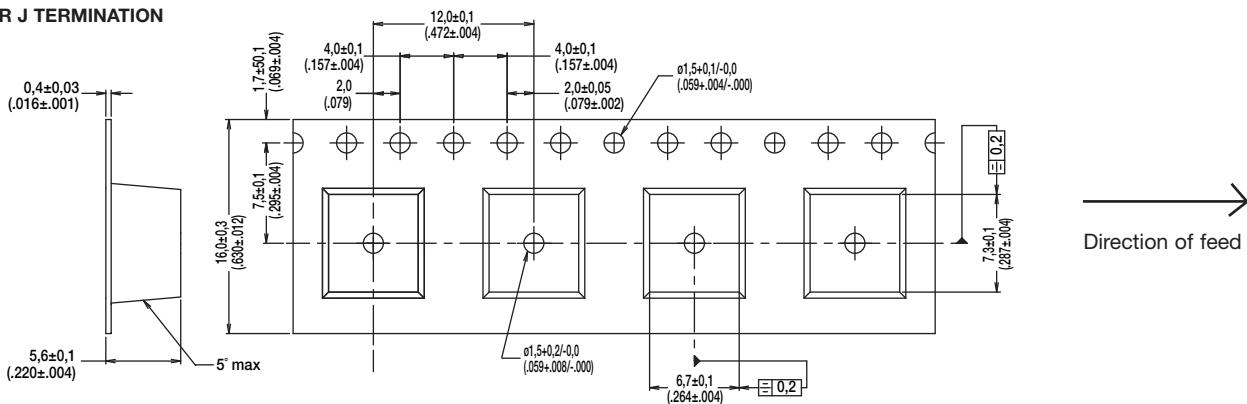


**PAD LAYOUT**

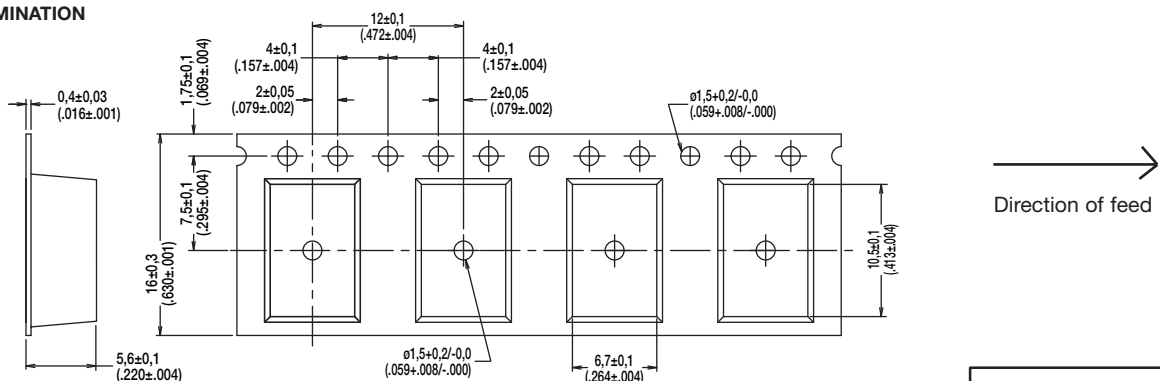


## TAPE & REEL

**FOR J TERMINATION**



**FOR G TERMINATION**



Dimensions shown in: mm (inch)  
Specifications and dimensions subject to change

www.ck-components.com



Tactile Switches