

KSJ Series Spherical Actuator Tact Switches

Features/Benefits

- Spherical actuator allows actuation force off center $\pm 30^\circ$ with regard to vertical
- Total travel 1.2 mm
- Sealed against flux
- RoHS compliant and compatible

Typical Applications

- Automotive
- Cranes, off road, railway
- Factory automation
- Security systems



Specification

FUNCTION: Momentary action
 CONTACT ARRANGEMENT: 1 make contact = SPST, N.O.
 DISTANCE BETWEEN BUTTON CENTERS (min.): 7.62 (0.300)
 TERMINALS: PC pins

Environmental

	Silver	Gold
OPERATING TEMPERATURE:	-40°C to 90°C	-40°C to 125°C
STORAGE TEMPERATURE:	-40°C to 90°C	-55°C to 125°C

Packaging

Delivered in boxes of 500 pieces.

Mechanical

Type	Actuation force N (grams)	Operating life (operations) axial	Operating life (operations) radial	Travel to make
KSJ0M21160SH	1,5 - 2,5	100,000	30,000	0,7 \pm 0,25
KSJ0M41180SH	2,25 - 3,75	100,000	30,000	0,55 \pm 0,25

Electrical

	Silver	Gold
MAXIMUM POWER:	1 VA	0.2 VA
MAXIMUM VOLTAGE:	32 VDC	32 VDC
MINIMUM VOLTAGE:	20 mV	20 mV
MAXIMUM CURRENT:	50 mA	50 mA
MINIMUM CURRENT:	1 mA	1 mA

DIELECTRIC STRENGTH (50 Hz, 1 min.): ≥ 300 Vrms
 CONTACT RESISTANCE: ≤ 100 mOhms
 INSULATION RESISTANCE (100V): $> 10^9$ ohms
 BOUNCE TIME: < 1 ms

Process

Wave soldering, compatible with lead free soldering profile.

NOTE: Specifications listed above are for switches with standard options.
 For information on specific and custom switches, consult Customer Service Center.

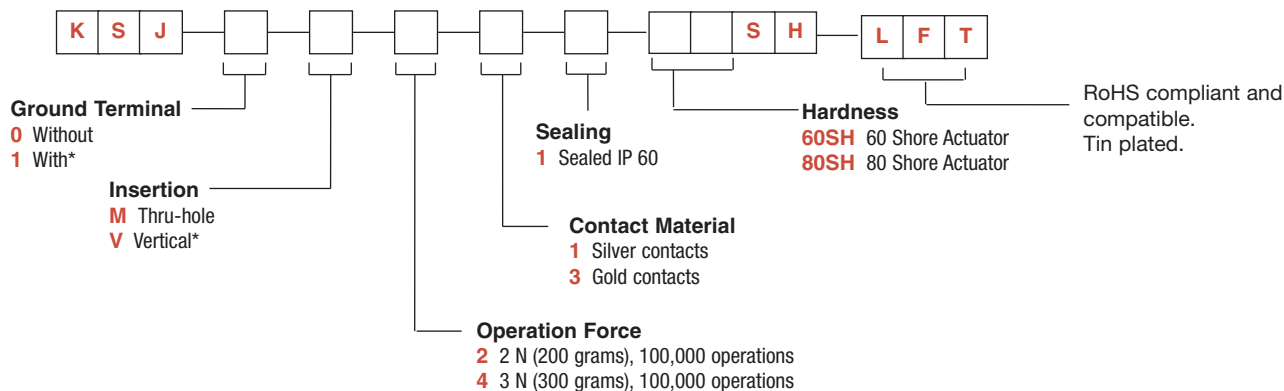
* Please contact your C&K representative for any question regarding the product integration.

How To Order

Our easy build-a-switch concept allows you to mix and match options to create the switch you need. To order, select desired option from each category and place it in the appropriate box.

However, please note that all the combinations of these options are not feasible.

For any part number different from those listed in the table above, please consult your local representative.

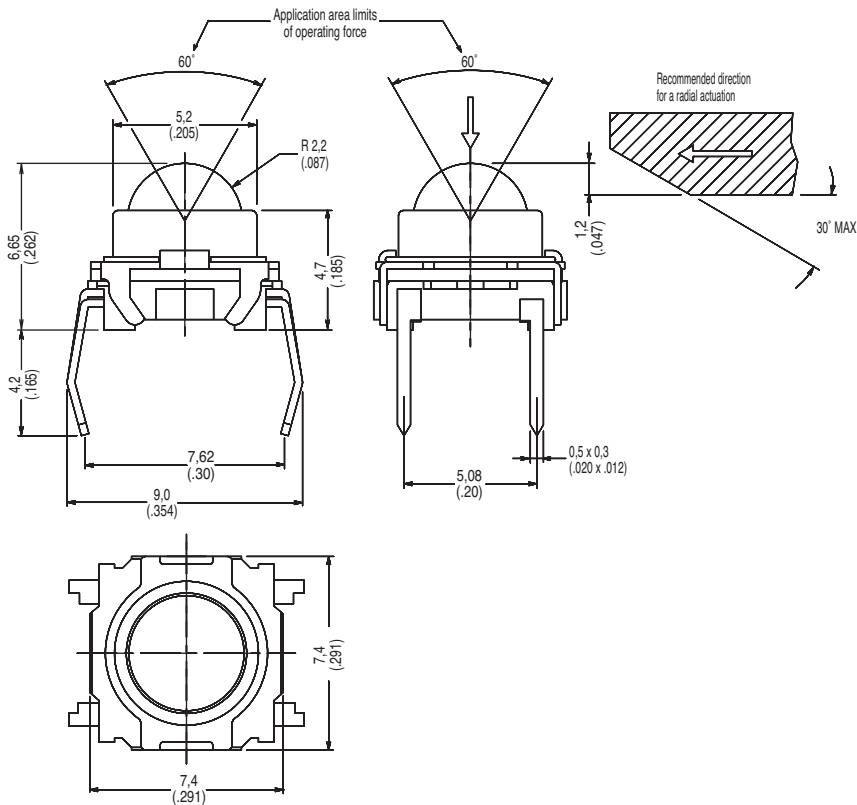


*Note: "1" ground terminal option not available with "V" version.
 The bracket for the "V" version plays this role.



KSJ Series Spherical Actuator Tact Switches

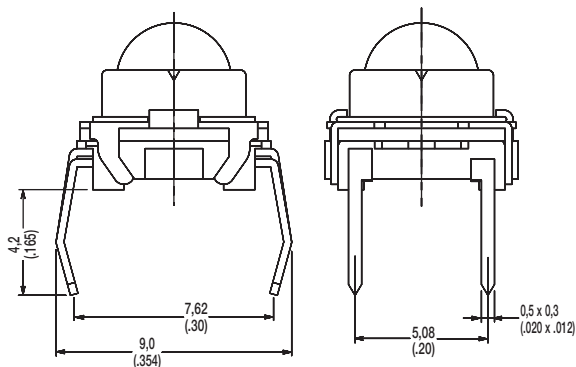
KSJ



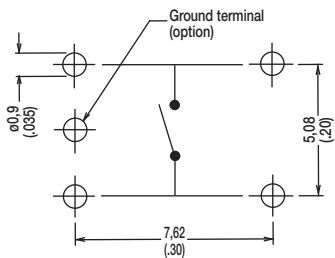
KSJ0M211

INSERTION

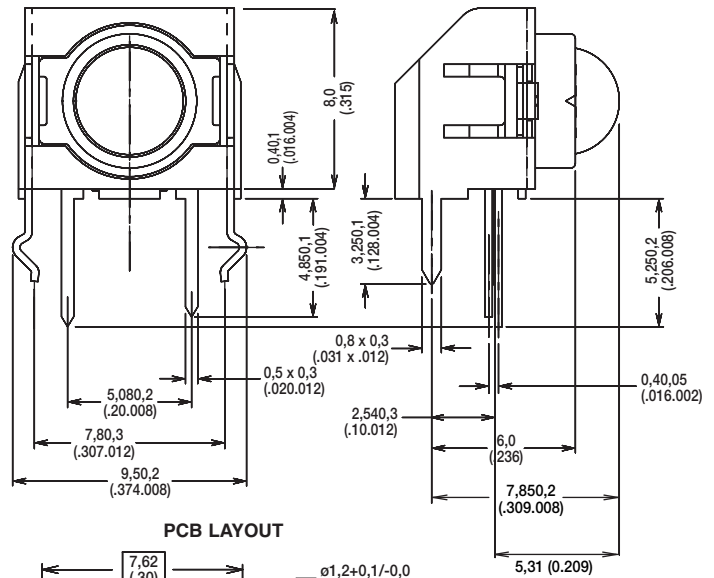
M THRU-HOLE



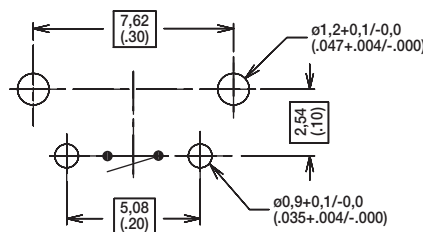
PCB LAYOUT



V VERTICAL



PCB LAYOUT



Dimensions shown in: mm (inch)
Specifications and dimensions subject to change

www.ck-components.com