

# C&K DF Series Power Rocker Switches



## Features/Benefits

- Power switching up to 16 AMPS
- Sub-panel and panel mounting
- PC and quick connect terminals
- Multi-position and multi-pole function
- Available in UL94V-0 grade materials

## Typical Applications

- Computers
- Power supplies
- Appliances
- Fitness equipment



## Specifications

CONTACT RATING: 16 AMPS @ 125, 250 V AC; 1/4 HP @ 125 V AC; 1/2 HP @ 250 V AC; 6 AMPS @ 48 V DC (UL/CSA); 16 (2) AMPS @ 250 V AC, T100 (VDE).  
DF52 & DF62: 6 AMPS @ 48 V DC (VDE).

ELECTRICAL LIFE: 10,000 make-and-break cycles at full load.

INSULATION RESISTANCE:  $10^9 \Omega$  min.

DIELECTRIC STRENGTH: 1,000 Vrms min. @ sea level.

## Materials

HOUSING & ACTUATOR: 6/6 nylon (UL 94V-2), black, finish: matte.

CONTACTS: Fine silver, silver plated.

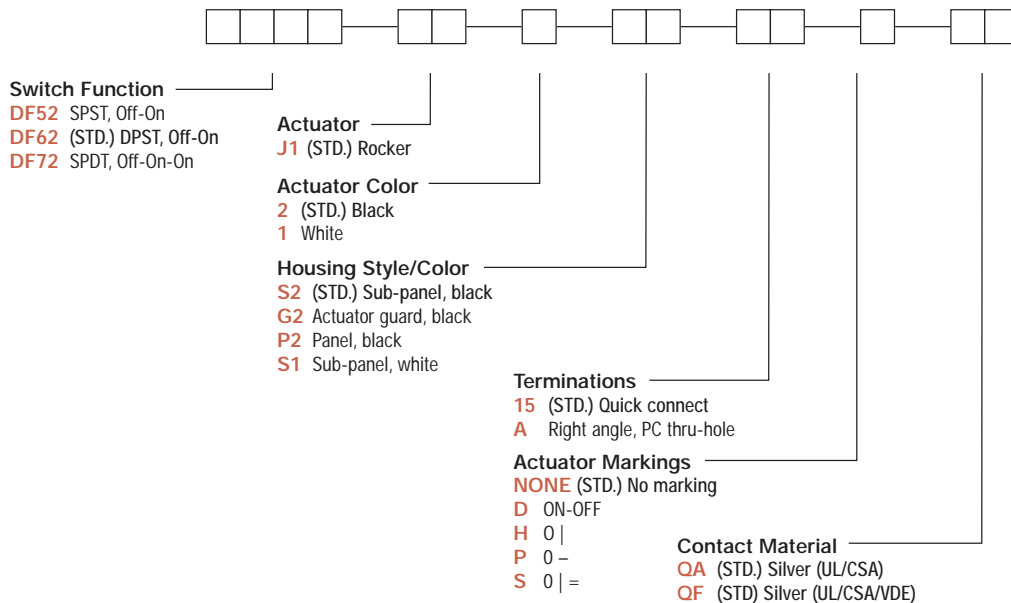
TERMINALS: Copper, silver plated.

CONTACT SPRING: Music wire or stainless steel.

**NOTE:** Specifications and materials listed above are for standard switches. For information on specific and custom switches, consult Customer Service Center.

## Build-A-Switch

To order, simply select desired option from each category and place in the appropriate box. Available options are shown and described on pages G-65 thru G-67. For additional options not shown in catalog, consult Customer Service Center.



Rocker



# C&K DF Series Power Rocker Switches

## SWITCH FUNCTION

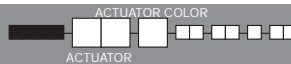


NO. POLES	MODEL NO.	SWITCH FUNCTION		CONNECTED TERMINALS		SCHEMATIC
		POS. 1	POS. 2	POS. 1	POS. 2	
SP	<b>DF52</b>	OFF	ON	OPEN	1-1A	SPST 
DP	<b>DF62 (STD.)</b>	OFF	ON	OPEN	1-1A, 2-2A	DPST 

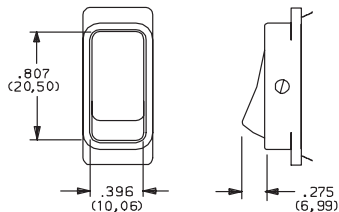
NO. POLES	MODEL NO.	POS. 1	POS. 2	POS. 3	POS. 1	POS. 2	POS. 3	SCHEMATIC
SP	<b>DF72</b>	OFF	ON	ON	OPEN	1 / 2-2A	1 / 2-1A 1 / 2-2A	SP3T 
DPST								
Part number shown: DF62J12S215QA		Actuator shown in Pos. 1			Terminal Nos. Molded On Housing			

All models with all options. Some models available with , see page G-67.

## ACTUATOR



**J1** (STD.) ROCKER



OPTION CODE	ACTUATOR COLOR
<b>2</b>	(STD.) BLACK
<b>1</b>	WHITE

**NOTE:** Actuator finish: matte. Other colors available, consult Customer Service Center.

Rocker

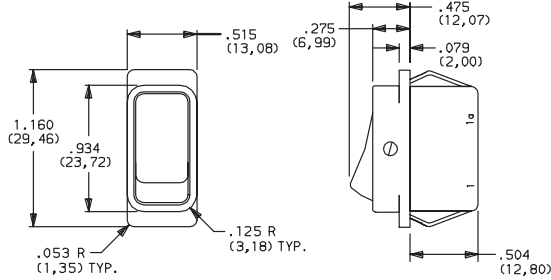
**G**

# C&K DF Series Power Rocker Switches

## HOUSING STYLE/COLOR

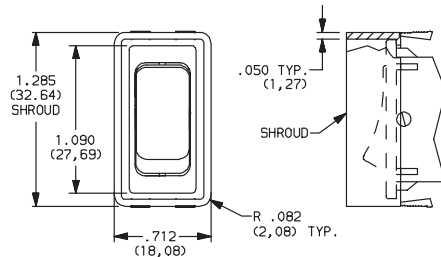


### S (STD.) SUB-PANEL



NOTE: DF52 & DF62 models only.

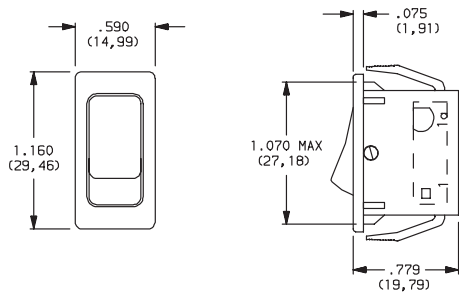
### G2 ACTUATOR GUARD



NOTE: Not available with 'A' termination. Available in black only.

*New!*

### P PANEL



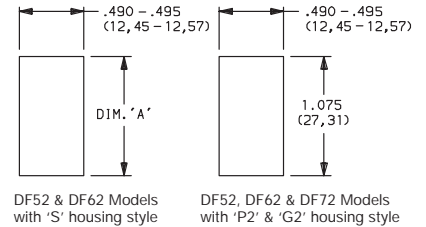
NOTE: Not available with 'A' termination. Available in black only.

OPTION CODE	HOUSING COLOR
2	(STD.) BLACK
1	WHITE

NOTE: Housing finish: matte. Other colors available, consult Customer Service Center.

### PANEL MOUNTING

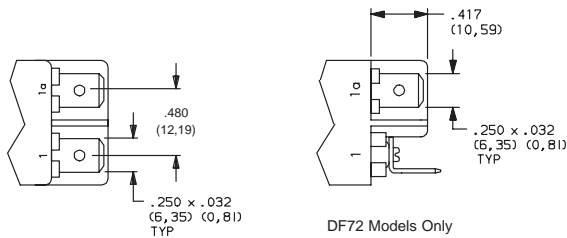
PANEL THICKNESS	DIM 'A'
.029-.048 (0,74) (1,22)	1.021 (25,93)
.048-.078 (1,22) (1,98)	1.029 (26,14)
.078-.117 (1,98) (2,97)	1.045 (26,54)
.075-.140 (1,91) (3,56)	1.075 (27,31)



## TERMINATIONS

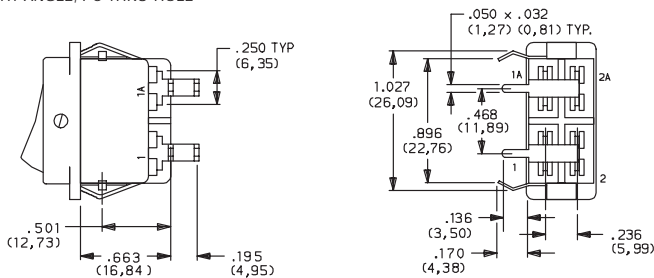


### 15 (STD.) QUICK CONNECT



DF72 Models Only

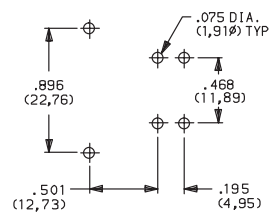
### A RIGHT ANGLE, PC THRU-HOLE



Actuator shown in Pos. 1

NOTE: DF52 and DF62 Models Only (Not VDE approved)

### PC MOUNTING



Third Angle Projection  
Dimensions are shown: IN (mm)  
Dimensions subject to change



# C&K DF Series Power Rocker Switches

## ACTUATOR MARKINGS

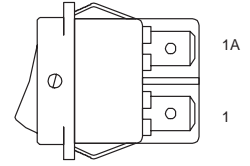
**NONE** (STD.) NO MARKING

**D** ON-OFF

**H** O |

**P** O -

**S** O | =



**NOTE:** Orientation of actuator markings and terminals.

'D, H, & P' marking options: marking color white, standard for all actuator colors except white.  
Marking color black, standard for white actuators. Consult Customer Service Center for other available marking colors.

## CONTACT MATERIAL

OPTION CODE	CONTACT AND TERMINAL MATERIAL	RATINGS	
<b>QA</b> (STD.)	SILVER <sup>1,2</sup>	POWER	16 AMPS @ 125, 250 V AC; 1/4 HP @ 125 V AC; 1/2 HP @ 250 V AC; 6 AMPS @ 48 V DC (UL/CSA).
<b>QF</b> (STD.)			16 AMPS @ 125, 250 V AC; 1/4 HP @ 125 V AC; 1/2 HP @ 250 V AC (UL/CSA). 16(2) AMPS @ 250 V AC, T100 (VDE); DF52 & DF62: 6 AMPS @ 48 V DC (VDE).

CONTACT MATERIAL/APPLICATION RECOMMENDATIONS – SEE SECTION N.

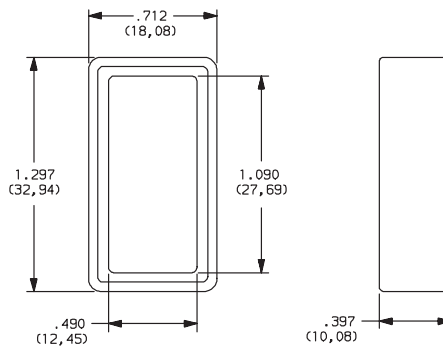
<sup>1</sup> CONTACTS: Fine silver, silver plated.

All models with all options, models with '15' termination and 'QF' contact material also .

<sup>2</sup> TERMINALS: Copper, silver plated.

## AVAILABLE HARDWARE

Actuator Guard



PART NO.

**285B02000**

Material: Nylon 6/6  
Finish: Matte

Rocker



G