

Keycaps, plastic, 2-module, opaque, with pressure pad

5.55.103.077/1013

Laser-printed on request, condition as supplied: Assembled.



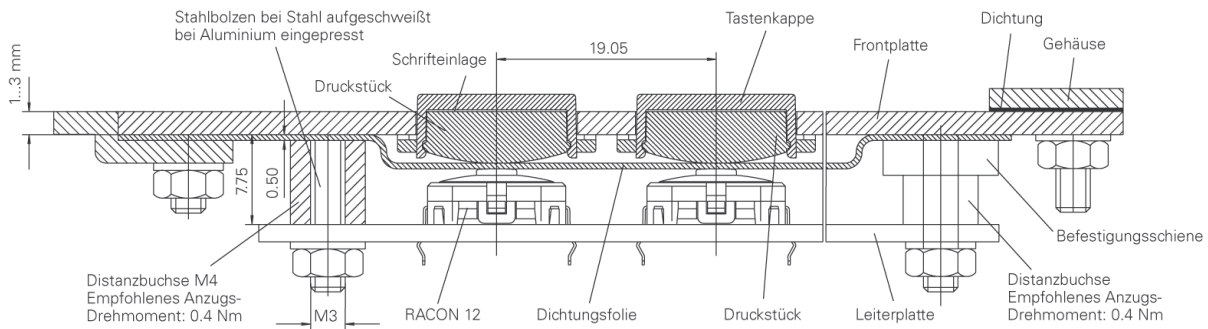
General information

Illuminability	no
Colour of lens	opaque light grey
Size	2-module
Degree of protection (with silicon seal)	IP65

Dimensions

Dimension (a) keycap behind front panel	17.20 x 31.20 mm
Dimension (b) keycap in front of front panel	13.85 x 27.85 mm
Dimension (c) hole patterns final size	14.00 x 28.00 mm
Dimension hole patterns punched size	14.20 x 28.20 mm

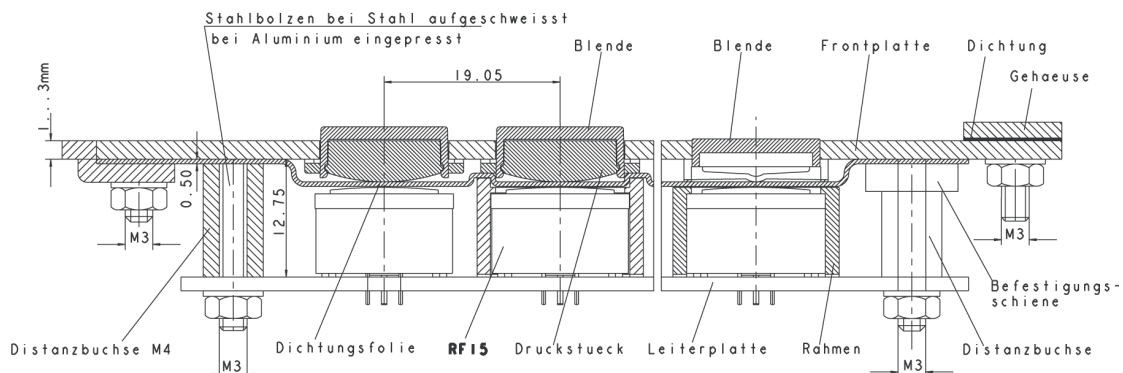
Else



System drawing 1

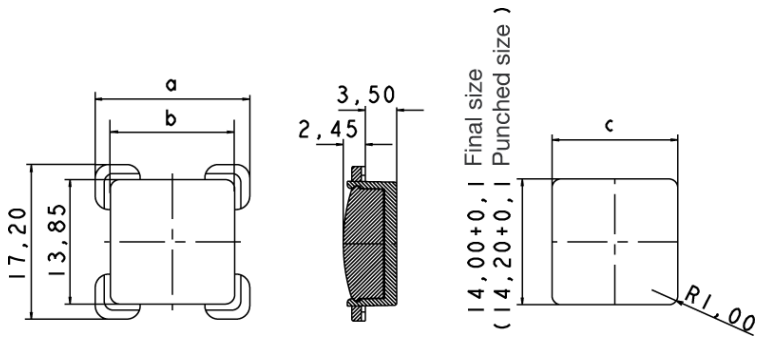
Einbau von vorne

Einbau von hinten



16.07.2008

MASS



MASS

