

## Keycaps, plastic, opaque, with pressure pad

### 5.55.103.030/1013

Laser-printed on request, condition as supplied: Assembled.



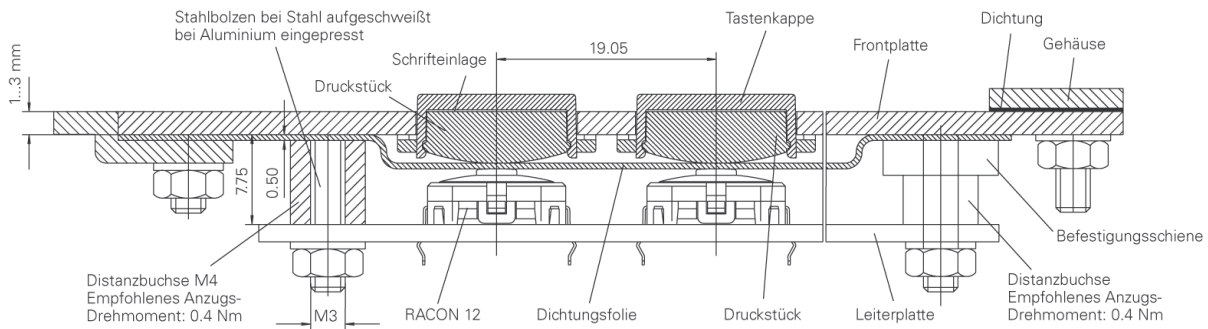
#### General information

Illuminability	yes
Colour of lens	opaque light grey
Size	1-module
Degree of protection (with silicon seal)	IP65

#### Dimensions

Dimension (a) keycap behind front panel	17.20 x 17.20 mm
Dimension (b) keycap in front of front panel	13.85 x 13.85 mm
Dimension (c) hole patterns final size	14.00 x 14.00 mm
Dimension hole patterns punched size	14.20 x 14.20 mm

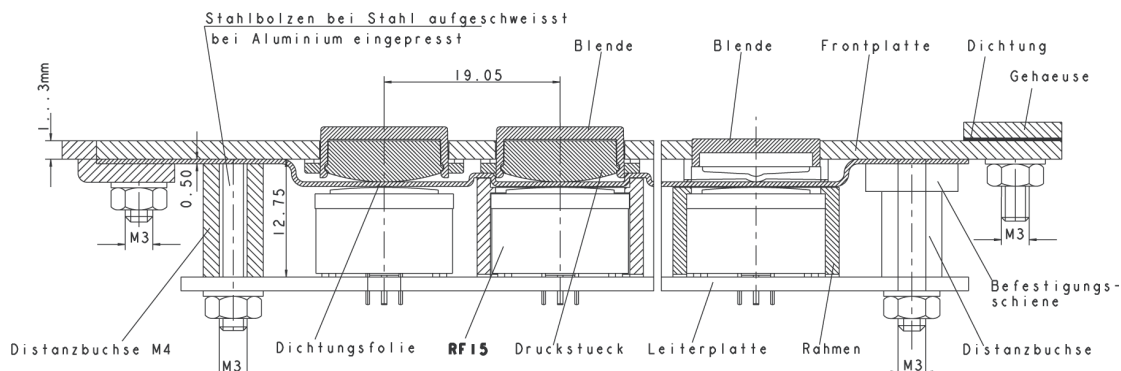
Else



#### System drawing 1

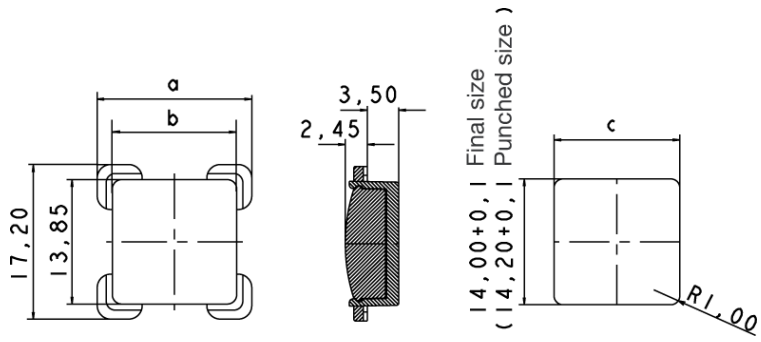
#### Einbau von vorne

#### Einbau von hinten



16.07.2008

MASS



MASS

