

General data

Keycaps for RACON, RF 15 / RF 19 and KN 19 short-travel keyswitches

- You can insert a legend insert between the lens and the plunger into the transparent keycaps.

Content

Keycaps, plastic, 9 x 9 mm

- Keycaps, plastic, 9 x 9 mm, opaque, with pressure pad
- Keycaps, plastic, 9 x 9 mm, transparent, with pressure pad

4 - 82
4 - 82
4 - 83

Keycaps, plastic, 14 mm

- Keycaps, plastic, 1-module, opaque, with pressure pad
- Keycaps, plastic, 1,5-module, opaque, with pressure pad
- Keycaps, plastic, 2-module, opaque, with pressure pad
- Keycaps, plastic, 1-module, transparent, with pressure pad
- Keycaps, plastic, 1,5-module, transparent, with pressure pad
- Keycaps, plastic, 2-module, transparent, with pressure pad

4 - 84
4 - 84
4 - 85
4 - 85
4 - 86
4 - 86
4 - 87

Keycaps, aluminum, 14 x 14 mm

- Keycaps, aluminum, 1-module
- Keycaps, aluminum, 1,5-module
- Keycaps, aluminum, 2-module

4 - 88
4 - 88
4 - 89
4 - 89

RK 90 special accessories

- Blocking frame for RF 15, 1-module
- Covers (blocking frame and lens) for RF 15, 1-module
- Fin, to avoid inadvertent operation
- Spacer M 4
- Fixing rail 10 x 3 x 490 mm, for RF 15, RF 15 N, RACON 8/12
- Silicone foil 600 x 590 x 0.45 mm, for RF 15, RF 15N, RACON 8/12
- Legend insert for RK 90

4 - 90
4 - 90
4 - 91
4 - 91
4 - 92
4 - 92
4 - 93
4 - 93

RK 90 keycaps

Design

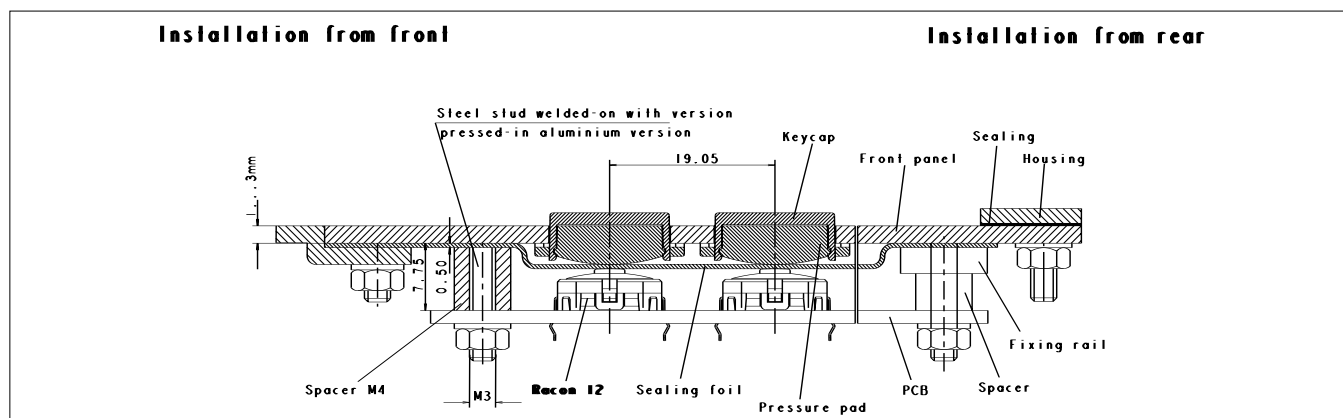
Example with RF 15 keyswitches. Instead of RF 15 following keyswitches can be used:

- RACON 8/12
- RF 15 keyswitches and signal indicators
- RF 19 keyswitches and signal indicators
- Short-travel main switch KN 19

The RK 90 system was granted the prize of the Design Forum of the Hannover Fair for good industrial design.

Degree of protection: IP65 according to DIN in front of the panel, with silicone sealing.

Installation methods



Mounting from front

Sealing foil between RK 90 keyboard and customer's front panel.

Mounting from rear

Sealing foil is screwed to RK 90 panel with fixing rails; sealing between keyboard and customer's front panel has to be provided.

Legending

- **Laser printing:** This labelling method is possible for opaque keycaps. The symbols are engraved in the keycaps with laser.
- **Legend inserts:** Legends can be written on a legend insert foil which is then inserted into the transparent.

keycaps. As the inserts are protected by the lens, they are friction-proof. The legend inserts can be replaced from front.

- **Engraving:** With this method the keycaps are engraved with the required symbol and then inlaid with ink.

Recommendations

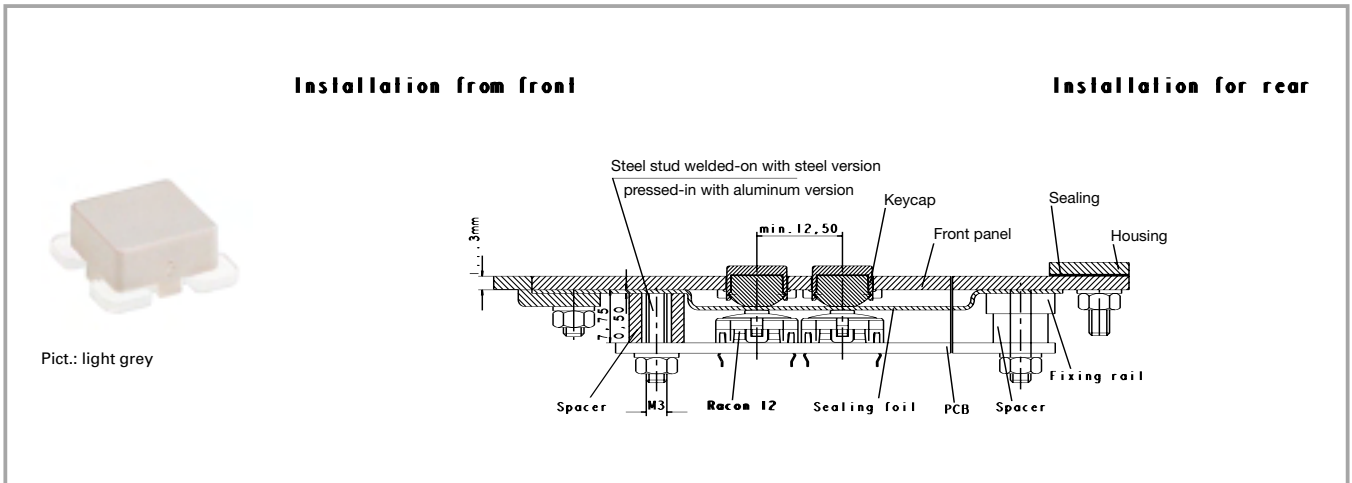
- **Front panel thickness:**
 - **Aluminum:** 2 mm (1.5 mm min, 3 mm max.) (Fixing with M 3 pressed-in studs)
 - **Steel:** 2 mm (3 mm max.): V2A: 1.25 mm (Fixing with M 3 welded-on studs)

The keytop surface is flush with the keyboard at a panel thickness of 3.5 mm.

- **Silicone sealing:**
 - Material: Silicone transparent
 - Type: A-SY 40-79
 - Hardness: 30° shore +/- 5°
 - Thickness: 0.45 +/- 0.05 mm

- **Installation:** Ensure that the keyboard slopes slightly so that any liquid can drain away between front panel and silicone sealing; if necessary, provide additional drain holes in the front panel.

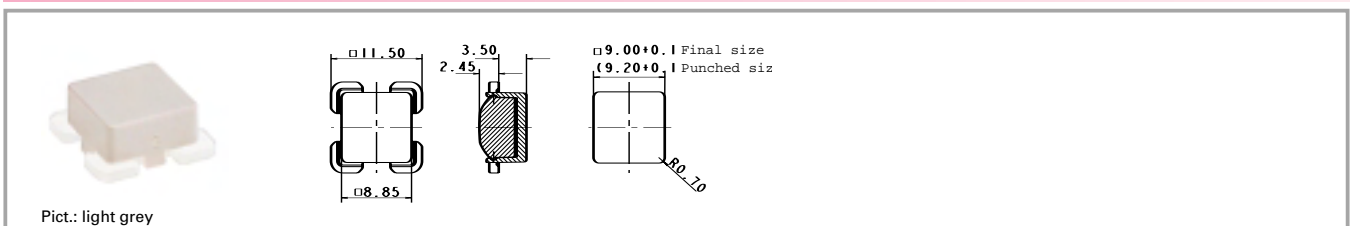
Keycaps, plastic, 9 x 9 mm



General data

You can design especially small input fields with the small keycap 9 x 9 mm. For example, controls for measurement and laboratory equipment which do not offer much space for input fields because of their small size. You can use RK 90 keycaps 9 x 9 mm and RACON short-travel keyswitches to implement key grids of only 12.5 mm. The keycaps can be legended by laser-printing, engraving or standard printing. Legend inserts can be used with the transparent version. This keycap is our first choice in a combination with the illuminated RACON 12 i short-travel keyswitch.

Keycaps, plastic, 9 x 9 mm, opaque, with pressure pad

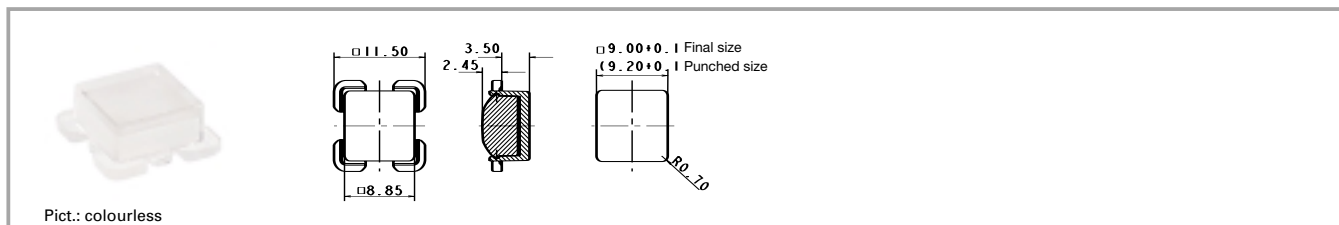


Size	Illuminability	Colour of lens	Dimension keycap behind front panel	Dimension keycap in front of front panel	Dimension (c) hole patterns final size	Order no. complete
1-module	no	opaque light grey	11.5 x 11.5 mm	8.85 x 8.85 mm	9.00 x 9.00 mm	5.04.668.015/0700
1-module	no	opaque red	11.5 x 11.5 mm	8.85 x 8.85 mm	9.00 x 9.00 mm	5.04.668.015/0300
1-module	no	opaque green	11.5 x 11.5 mm	8.85 x 8.85 mm	9.00 x 9.00 mm	5.04.668.015/0500
1-module	no	opaque yellow	11.5 x 11.5 mm	8.85 x 8.85 mm	9.00 x 9.00 mm	5.04.668.015/0400
1-module	no	opaque blue	11.5 x 11.5 mm	8.85 x 8.85 mm	9.00 x 9.00 mm	5.04.668.015/0600

Laser-printed on request, condition as supplied: Assembled.
Keycap sets available on request.

RK 90 keycaps

Keycaps, plastic, 9 x 9 mm, transparent, with pressure pad



Pict.: colourless

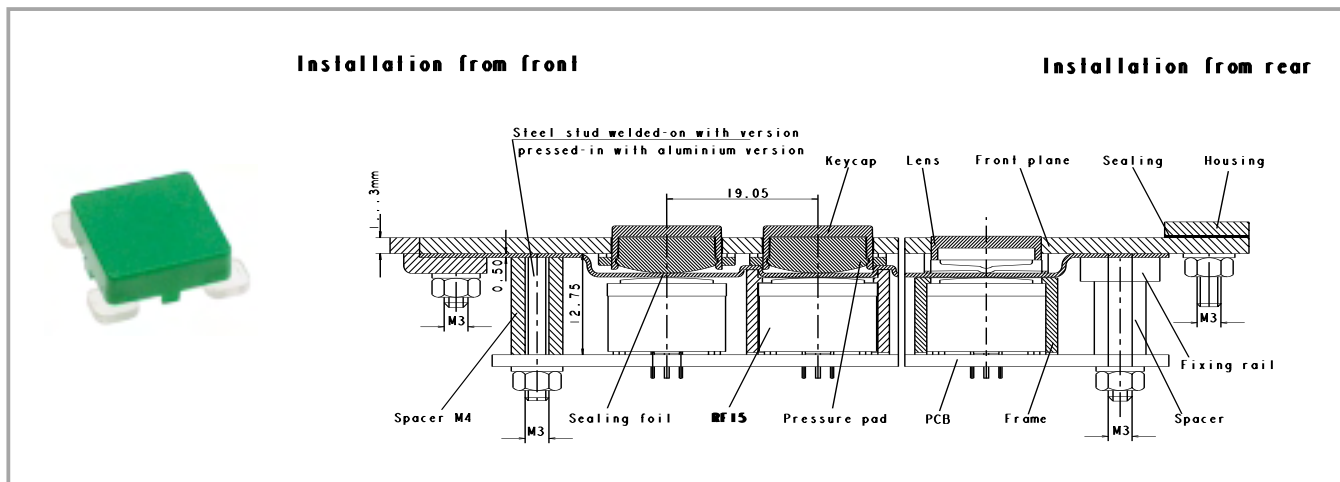
Size	Illuminability	Colour of lens	Dimension keycap behind front panel	Dimension keycap in front of front panel	Dimension (c) hole patterns final size	Order no. complete
1-module	yes	transparent colourless	11.5 x 11.5 mm	8.85 x 8.85 mm	9.00 x 9.00 mm	5.04.668.016/1000
1-module	yes	transparent red	11.5 x 11.5 mm	8.85 x 8.85 mm	9.00 x 9.00 mm	5.04.668.016/1300
1-module	yes	transparent green	11.5 x 11.5 mm	8.85 x 8.85 mm	9.00 x 9.00 mm	5.04.668.016/1510
1-module	yes	transparent yellow	11.5 x 11.5 mm	8.85 x 8.85 mm	9.00 x 9.00 mm	5.04.668.016/1400

Accessories:

Legend inserts for RK 90, 9 x 9, 1-module: **5.70.644.000/2000**

Supplied as single parts, please order legend insert separately (legending on request).

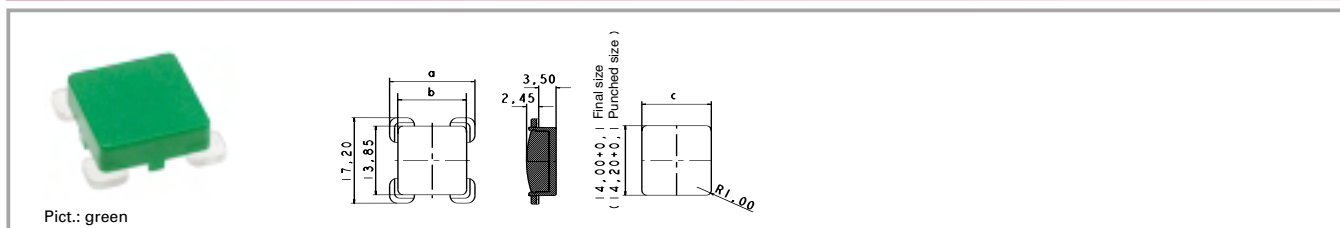
Keycaps, plastic, 14 mm



General data

Keycap system for 19.05 mm grid. The keycaps can be legended by laser-printing, engraving or standard printing. Legend inserts can be used for the transparent versions. Keycaps / sets with legends and other keycap shapes / colours available on request.

Keycaps, plastic, 1-module, opaque, with pressure pad

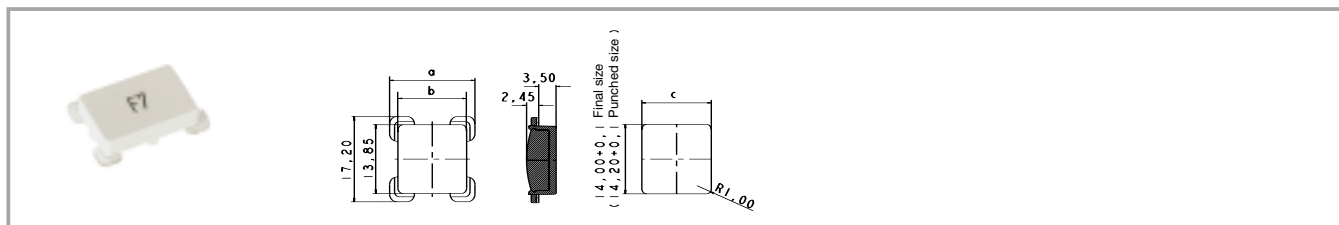


Size	Illuminability	Colour of lens	Dimension (a) keycap behind front panel	Dimension (b) keycap in front of front panel	Dimension (c) hole patterns final size	Order no. complete
1-module	no	opaque light grey	17.20 x 17.20 mm	13,85 x 13,85 mm	14.00 x 14.00 mm	5.04.668.001/0700
1-module	no	opaque red	17.20 x 17.20 mm	13,85 x 13,85 mm	14.00 x 14.00 mm	5.04.668.001/0309
1-module	no	opaque green	17.20 x 17.20 mm	13,85 x 13,85 mm	14.00 x 14.00 mm	5.04.668.001/0514
1-module	no	opaque yellow	17.20 x 17.20 mm	13,85 x 13,85 mm	14.00 x 14.00 mm	5.04.668.001/0409
1-module	no	opaque blue	17.20 x 17.20 mm	13,85 x 13,85 mm	14.00 x 14.00 mm	5.04.668.001/0611

Laser-printed on request, condition as supplied: Assembled.

RK 90 keycaps

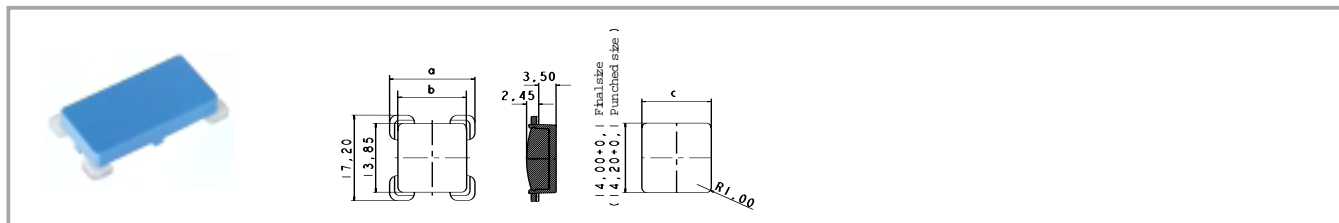
Keycaps, plastic, 1,5-module, opaque, with pressure pad



Size	Illuminability	Colour of lens	Dimension (a) keycap behind front panel	Dimension (b) keycap in front of front panel	Dimension (c) hole patterns final size	Order no. complete
1,5-module	no	opaque light grey	17.20 x 24.20 mm	13.85 x 20.85 mm	14.00 x 21.00 mm	5.04.668.003/0700
1,5-module	no	opaque red	17.20 x 24.20 mm	13.85 x 20.85 mm	14.00 x 21.00 mm	5.04.668.003/0309
1,5-module	no	opaque green	17.20 x 24.20 mm	13.85 x 20.85 mm	14.00 x 21.00 mm	5.04.668.003/0514
1,5-module	no	opaque yellow	17.20 x 24.20 mm	13.85 x 20.85 mm	14.00 x 21.00 mm	5.04.668.003/0409
1,5-module	no	opaque blue	17.20 x 24.20 mm	13.85 x 20.85 mm	14.00 x 21.00 mm	5.04.668.003/0611

Laser-printed on request, condition as supplied: Assembled.

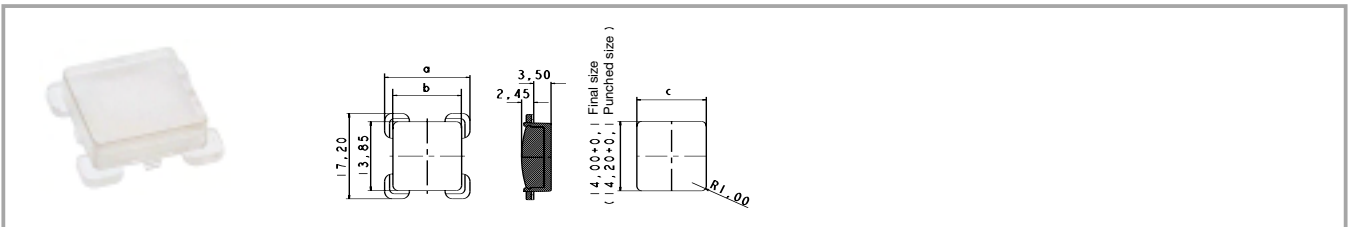
Keycaps, plastic, 2-module, opaque, with pressure pad



Size	Illuminability	Colour of lens	Dimension (a) keycap behind front panel	Dimension (b) keycap in front of front panel	Dimension (c) hole patterns final size	Order no. complete
2-module	no	opaque light grey	17.20 x 31.20 mm	13.85 x 27.85 mm	14.00 x 28.00 mm	5.04.668.004/0700
2-module	no	opaque red	17.20 x 31.20 mm	13.85 x 27.85 mm	14.00 x 28.00 mm	5.04.668.004/0309
2-module	no	opaque green	17.20 x 31.20 mm	13.85 x 27.85 mm	14.00 x 28.00 mm	5.04.668.004/0514
2-module	no	opaque yellow	17.20 x 31.20 mm	13.85 x 27.85 mm	14.00 x 28.00 mm	5.04.668.004/0409
2-module	no	opaque blue	17.20 x 31.20 mm	13.85 x 27.85 mm	14.00 x 28.00 mm	5.04.668.004/0611

Laser-printed on request, condition as supplied: Assembled.

Keycaps, plastic, 1-module, transparent, with pressure pad



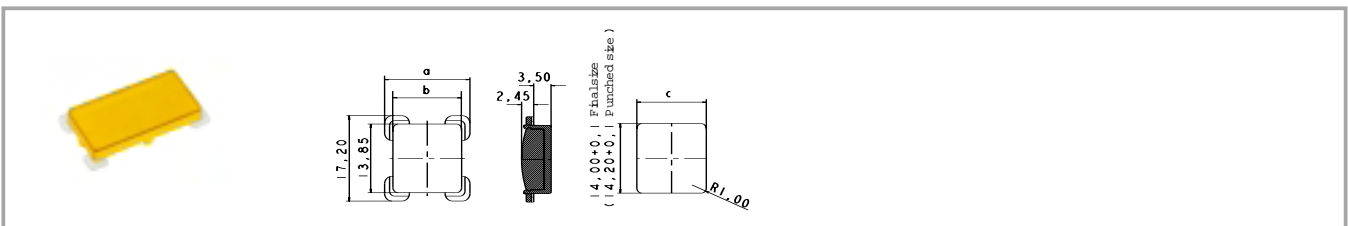
Size	Illuminability	Colour of lens	Dimension (a) keycap behind front panel	Dimension (b) keycap in front of front panel	Dimension (c) hole patterns final size	Order no. complete
1-module	yes	transparent colourless	17.20 x 17.20 mm	13,85 x 13,85 mm	14.00 x 14.00 mm	5.04.668.005/1002
1-module	yes	transparent red	17.20 x 17.20 mm	13,85 x 13,85 mm	14.00 x 14.00 mm	5.04.668.005/1307
1-module	yes	transparent green	17.20 x 17.20 mm	13,85 x 13,85 mm	14.00 x 14.00 mm	5.04.668.005/1510
1-module	yes	transparent yellow	17.20 x 17.20 mm	13,85 x 13,85 mm	14.00 x 14.00 mm	5.04.668.005/1403

Accessories:

Legend inserts for RK 90, 12 x 12, 1-module: **5.70.640.000/2000**

Supplied as single parts, please order legend insert separately (legending on request).

Keycaps, plastic, 1,5-module, transparent, with pressure pad



Size	Illuminability	Colour of lens	Dimension (a) keycap behind front panel	Dimension (b) keycap in front of front panel	Dimension (c) hole patterns final size	Order no. complete
1,5-module	yes	transparent colourless	17.20 x 24.20 mm	13,85 x 20,85 mm	14.00 x 21.00 mm	5.04.668.007/1002
1,5-module	yes	transparent red	17.20 x 24.20 mm	13,85 x 20,85 mm	14.00 x 21.00 mm	5.04.668.007/1307
1,5-module	yes	transparent green	17.20 x 24.20 mm	13,85 x 20,85 mm	14.00 x 21.00 mm	5.04.668.007/1510
1,5-module	yes	transparent yellow	17.20 x 24.20 mm	13,85 x 20,85 mm	14.00 x 21.00 mm	5.04.668.007/1403

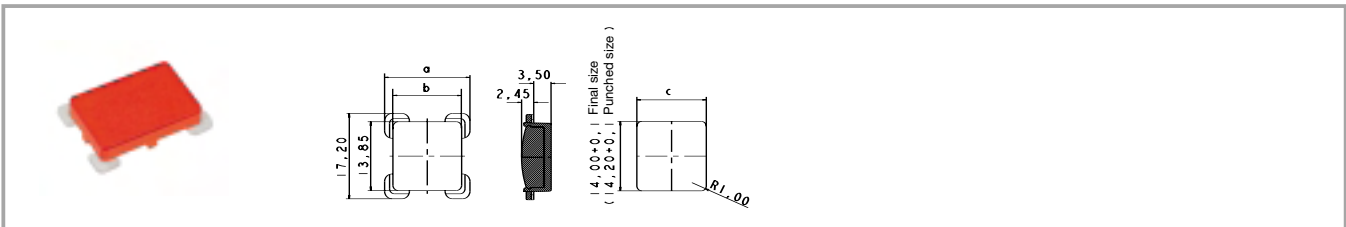
Accessories:

Legend inserts for RK 90, 12 x 12, 1,5-module: **5.70.642.000/2000**

Supplied as single parts, please order legend insert separately (legending on request).

RK 90 keycaps

Keycaps, plastic, 2-module, transparent, with pressure pad



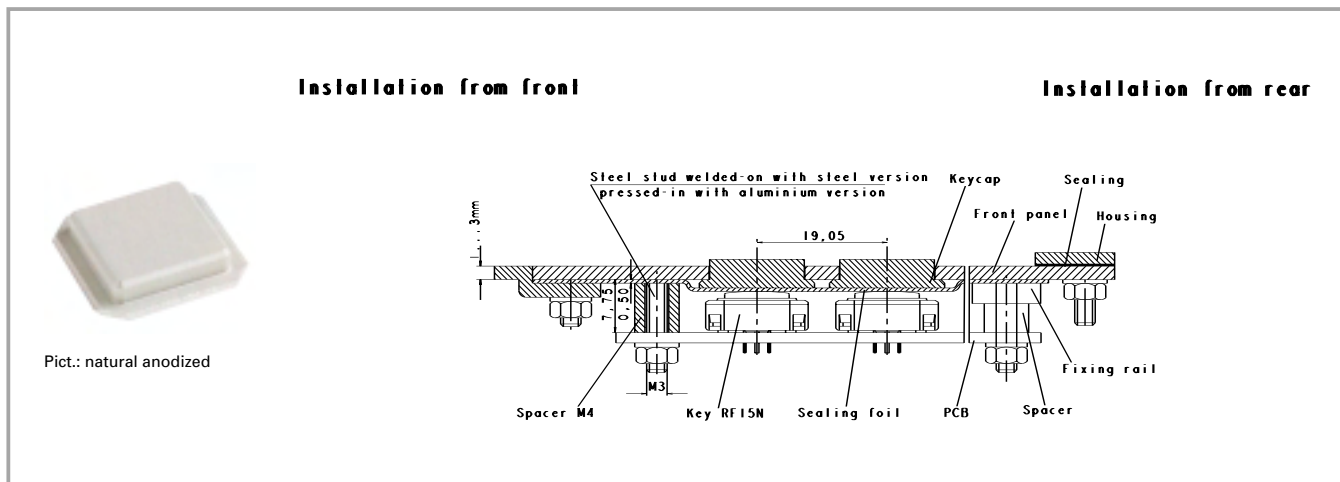
Size	Illuminability	Colour of lens	Dimension (a) keycap behind front panel	Dimension (b) keycap in front of front panel	Dimension (c) hole patterns final size	Order no. complete
2-module	yes	transparent colourless	17.20 x 31.20 mm	13.85 x 27.85 mm	14.00 x 28.00 mm	5.04.668.008/1002
2-module	yes	transparent red	17.20 x 31.20 mm	13.85 x 27.85 mm	14.00 x 28.00 mm	5.04.668.008/1307
2-module	yes	transparent green	17.20 x 31.20 mm	13.85 x 27.85 mm	14.00 x 28.00 mm	5.04.668.008/1510
2-module	yes	transparent yellow	17.20 x 31.20 mm	13.85 x 27.85 mm	14.00 x 28.00 mm	5.04.668.008/1403

Accessories:

Legend inserts for RK 90, 12 x 12, 2-module: **5.70.643.000/2000**

Supplied as single parts, please order legend insert separately (legending on request). We recommend the fully illuminated RF 19 key/signal indicator for illumination.

Keycaps, aluminum, 14 x 14 mm

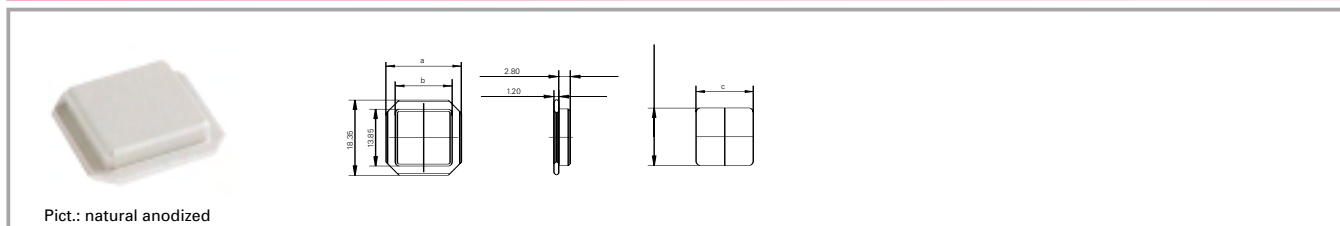


General data

The RK 90 system design with metal keycaps is fairly safe against mechanical, thermal or chemical effects. Combined with a metal front panel, this data entry system offers maximum protection against vandalism. Tried and tested RF 15/19 or RACON PCB keyswitches are employed underneath the metal keycaps.

The keycaps can be provided with engraved, coloured anodized or laser-printed legends. This means that the legend is durable and cannot be removed by mechanical or chemical means.

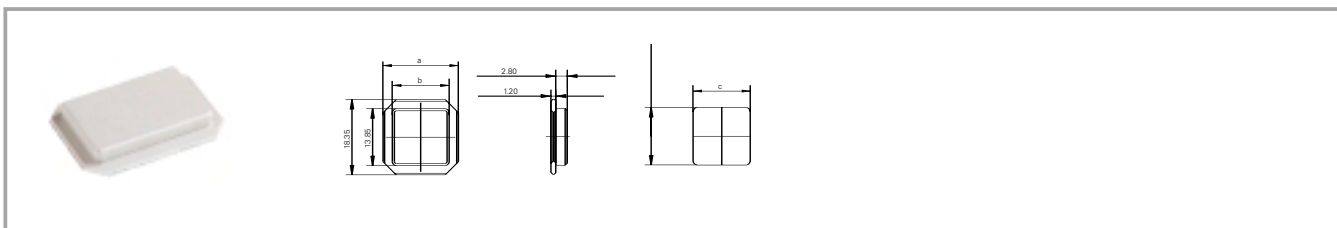
Keycaps, aluminum, 1-module



Size	Colour of lens	Dimension (a) keycap behind front panel	Dimension (b) keycap in front of front panel	Dimension (c) hole patterns final size	Order no. complete
1-module	aluminum colourless	18.35 x 18.35 mm	13,85 x 13,85 mm	14.00 x 14.00 mm	5.46.500.001/4010

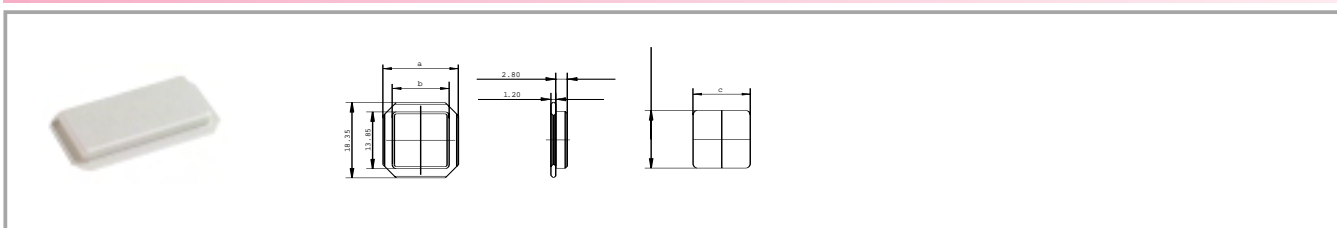
RK 90 keycaps

Keycaps, aluminum, 1,5-module



Size	Colour of lens	Dimension (a) keycap behind front panel	Dimension (b) keycap in front of front panel	Dimension (c) hole patterns final size	Order no. complete
1,5-module	aluminum colourless	18.35 x 25.35 mm	13.85 x 20.85 mm	14.00 x 21.00 mm	5.46.500.003/4010

Keycaps, aluminum, 2-module



Size	Colour of lens	Dimension (a) keycap behind front panel	Dimension (b) keycap in front of front panel	Dimension (c) hole patterns final size	Order no. complete
2-module	aluminum colourless	18.35 x 32.35 mm	13.85 x 27.85 mm	14.00 x 28.00 mm	5.46.500.004/4010

RK 90 special accessories



Blocking frame for RF 15, 1-module



Short text	Feature 1	Feature 2	Order no.
Blocking frame for RF 15	transparent		5.55.103.133/0214

Blocking frames can be used for blocking fitted RF 15 keys! The RK 90 keycaps cover the keyswitch in such a way that the blocked key cannot be visually distinguished from the functional keys.

RK 90 keycaps

Covers (blocking frame and lens) for RF 15, 1-module

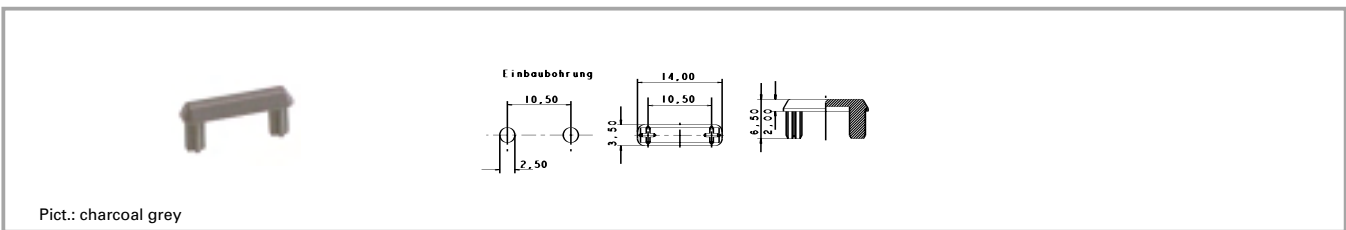


Pict.: light grey

Short text	Feature 1	Feature 2	Order no.
Cover for RF 15, 1.7 mm high, 1-module, opaque light grey	opaque light grey	1-module	5.00.350.802/0700

Covers consist of blocking frames and lenses. The blocking frame is used for blocking fitted RF 15 keys. The blocked key is fitted with lenses that are flush with the front panel.

Fin, to avoid inadvertent operation



Pict.: charcoal grey

Short text	Feature 1	Feature 2	Order no.
Fin, to avoid inadvertent operation, light grey			5.55.103.079/0700
Fin, to avoid inadvertent operation, charcoal grey			5.55.103.079/0152

4

RK 90

Spacer M 4



Short text	Feature 1	Feature 2	Order no.
Spacer M 4 for RK 90 with RF 15 keys, height 12.50 mm, mounting from front (1 pc. per stud)		12.5 mm for RF 15	5.30.764.040/0000
Spacer M 4 for RK 90 with RF 15 keys, height 9.25 mm, mounting from rear (1 pc. per stud)		9.25 mm for RF 15	5.30.764.027/0000
Spacer M 4, height 9.00 mm, for RF 15 N		9.00 mm for RF15N	5.30.759.046/0000
Spacer M 4 for RK 90 with RF 15 N keys, height 5.50 mm, mounting from rear (1 pc. per stud)		5.5 mm for RF15N	5.30.764.010/0000
Spacer M 4 for RK 90 with RACON 8/12 keys, height 7.50 mm, mounting from front (1 pc. per stud)		7.5 mm for RACON 8/12	5.30.764.018/0000
Spacer M 4 for RK 90 with RACON 8/12 keys, height 4.25 mm, mounting from rear (1 pc. per stud)		4.25 mm for RACON 8/12	5.30.764.005/0000

Fixing rail 10 x 3 x 490 mm, for RF 15, RF 15 N, RACON 8/12



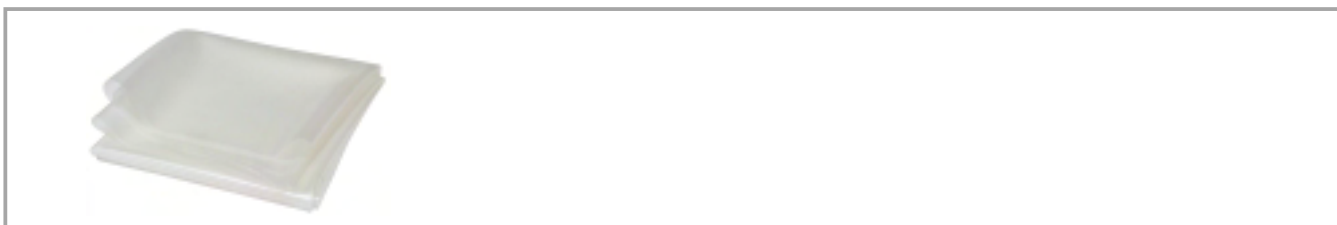
Short text	Feature 1	Feature 2	Order no.
Fixing rail 10 x 3 x 490 mm, for RK 90 with RF 15, RF 15 N, RACON 8/12 keys, mounting from rear		10 x 3 x 490 mm	5.41.082.016/6000

4

RK 90

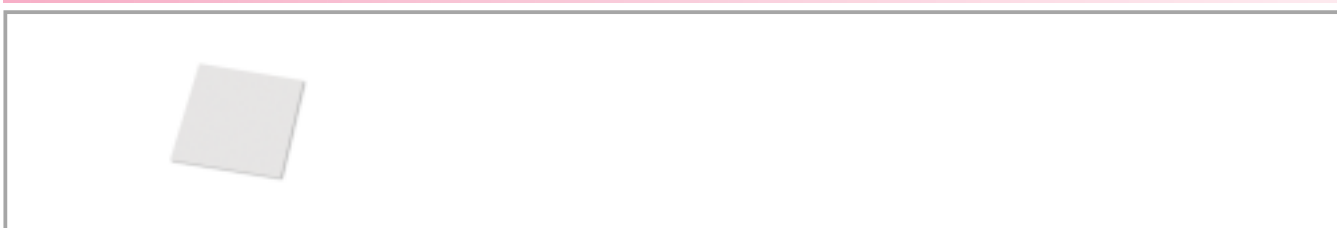
RK 90 keycaps

Silicone foil 600 x 590 x 0.45 mm, for RF 15, RF 15N, RACON 8/12



Short text	Feature 1	Feature 2	Order no.
Silicone foil 600 x 590x 0.45 mm, for RK 90 with RF 15, RF 15 N or RACON 8/12 keys	transparent	600 x 590 x 0.45 mm	7.16.102.006/0000

Legend insert for RK 90



Short text	Feature 1	Feature 2	Order no.
Legend insert for RK 90, 12 x 12, 1-module			5.70.640.000/2000
Legend insert for RK 90, 12 x 12, 1,5-module			5.70.642.000/2000
Legend insert for RK 90, 12 x 12, 2-module			5.70.643.000/2000
Legend insert for RK 90, 9 x 9, 1-module			5.70.644.000/2000

4

RK
90