

RF 15 short-travel keyswitch, non-illuminated, silver contacts
3.14.100.006/0000

For keycaps, refer to RK 90 system design.


General information

Colour of lens	transparent
Recommended key grid	19.05 mm

Dimensions

Overall height	9.7 mm
Width	15 mm
Length	15 mm

Electrical characteristics

Contact resistance acc. to life max.	3 Ω
Contact resistance when new max.	100 m Ω
ESD strength (underneath overlay)	15 kV
Insulation resistance	10 ⁹ Ω
Bouncing time max.	5 ms
Rated power max. (ohmic load)	12.5 W
Rated voltage max.	50 V
Rated voltage min.	3 V
Rated current max.	250 mA
Rated current min.	0.1 mA

Mechanical characteristics

Robustness min.	with through-plated PCB 100 N
Operating force max.	2 ... 3 N
Operating travel	0,5 ^{+0,2} mm
Switching travel	0,5 ^{+0,2} mm

Mechanical design

Terminals	Ag: spring contact tin-plated, fix contact AG-plated
Mounting	soldering in PCB
Illumination	not illuminated
Contact arrangement	1 NO
Contact system	snap-action contact
Contact materials	Ag
LED colour	---
LED type	---

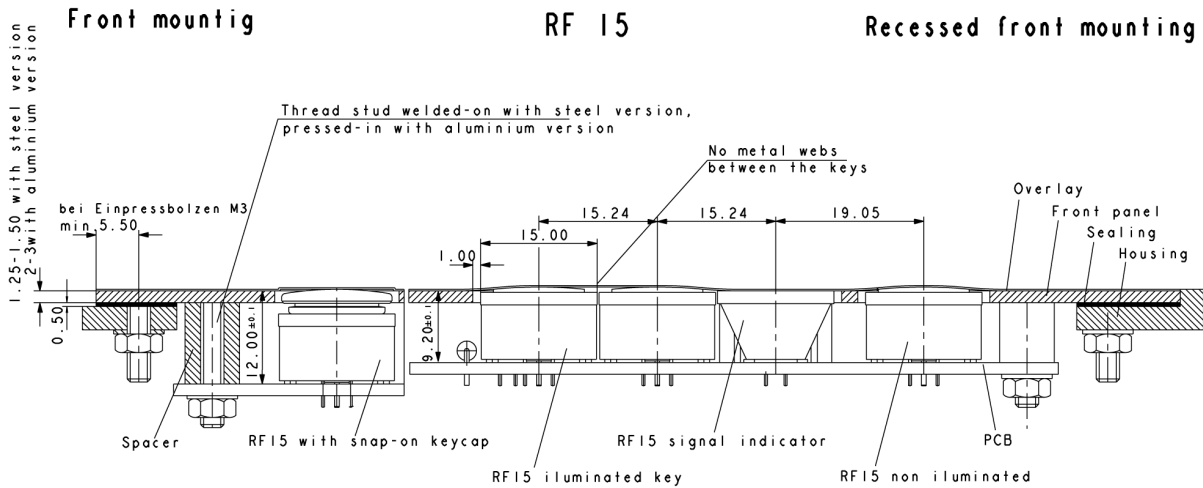
Other specifications

Ambient temp. operating max.	+70 °C
Ambient temp. operating min.	-25 °C
Flammability of materials	UL 94 HB
Manual soldering	350 °C / 5 sec. max.
Resistance to constant environment	according to IEC 600 68-2-3 and 2-30
Storage temperature max. (product)	+80 °C

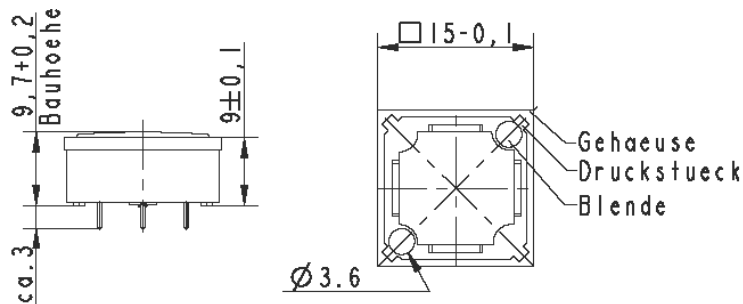
16.07.2008

Storage temperature max. (in tube)	+50 °C
Storage temperature min.	-40 °C
Operating life min.	1000000
Solderability	according to E DIN IEC 600 28-2-20
Resistance at variable environment	according to IEC 600 68-2-14 and 2-33
Wave soldering	260 °C max.

System drawing 1



MASS



PCB

