

RS 76 M keyswitch, illuminated, momentary

3.13.002.102/0000

For accessories, refer to RS 76 special accessories.



For keycaps, see keycaps for RS 76.

General information

Recommended key grid	---
----------------------	-----

Electrical characteristics

Contact resistance acc. to life max.	3 Ω
Contact resistance when new max.	200 m Ω
ESD strength max.	8 kV
Insulation resistance	10 ⁹ Ω
Bouncing time max.	10 ms
Rated power max.	1 W
Rated voltage max.	42 V
Rated voltage min.	2 V
Rated current max.	100 mA
Rated current min.	---

Mechanical characteristics

Robustness min.	100 N
Operating force max.	1 N
Operating travel	4 mm
Switching travel	---

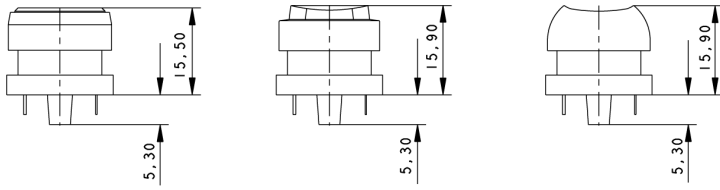
Mechanical design

Terminals	solder terminals, tin-plated
Mounting	soldering
Illumination	Punktausleuchtung mit 3 mm LED möglich
Contact arrangement	1 NO
Contact function	momentary
Contact system	bridge contact
Contact materials	Au alloy

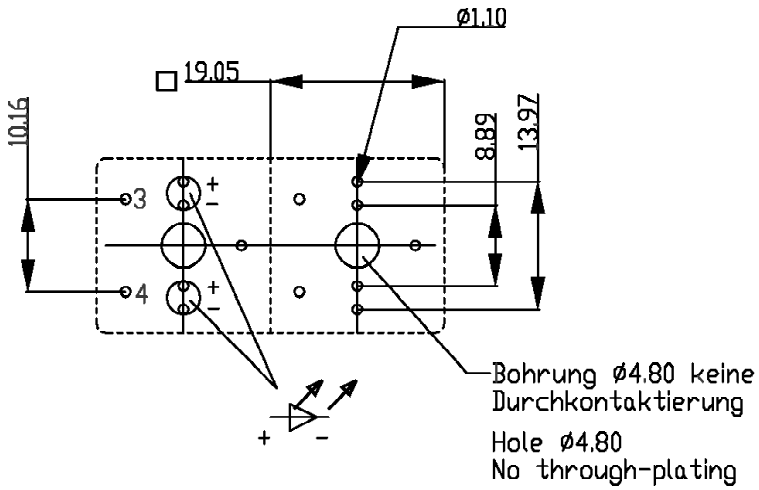
Other specifications

Ambient temp. operating max.	+70 °C
Ambient temp. operating min.	-25 °C
Flammability of materials	UL 94 HB
Resistance to constant environment	according to IEC 600 68-2-3 and 2-30
Storage temperature max. (product)	+80 °C
Storage temperature max. (rail)	+50 °C
Storage temperature min.	-40 °C
Operating life min.	10 ⁷
Degree of protection	IP40
Resistance at variable environment	according to IEC 600 68-2-14 and 2-33

MASS



Frontpanel cut-out



System drawing 1

