

TL Series Door Interlock Switches

Features/Benefits

- Push/pull motion
- Multiple mounting configurations
- Wide variety of termination options
- Ratings up to 15 AMPS

Typical Applications

- Computer enclosures
- Panel builders
- Industrial enclosures



Specifications

CONTACT RATING: 15 AMPS @ 125 & 250 V AC; 0.25 AMP @ 250 V DC; 0.5 AMP @ 125 V DC; 1/2 HP @ 125 & 250 V AC; 3 AMPS @ 125 V AC "L".

ELECTRICAL LIFE: 150,000 cycles at 15 AMPS @ 250 V AC.

INSULATION RESISTANCE: 1,000 M ohm min.

DIELECTRIC STRENGTH: 1,000 Vrms min. @ sea level.

OPERATING TEMPERATURE: -67°F to 302°F (-55°C to 150°C).

NOTE: Specifications and materials listed above are for switches with standard options. For information on specific and custom switches, consult Customer Service Center.

Materials

SWITCH HOUSING: Thermoplastic or general purpose phenolic (UL 94V-0).

MOUNTING BRACKET: Stainless steel.

PLUNGER: Stainless steel.

ACTUATOR BUTTON: Thermoplastic (UL 94V-0).

SPRING: Copper alloy.

PIVOT: Brass alloy.

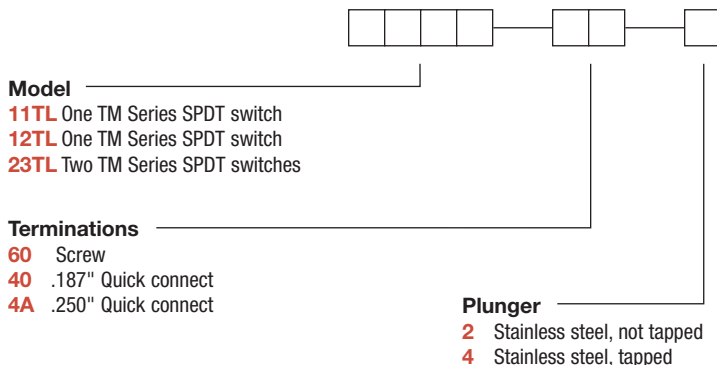
MOVABLE CONTACT: Fine silver.

STATIONARY CONTACTS: Fine silver.

TERMINALS: Copper alloy.

Build-A-Switch

To order, simply select desired option from each category and place in the appropriate box. Available options are shown and described on pages K-60 and K-61. For additional options not shown in catalog, consult Customer Service Center.



K

Snap-acting

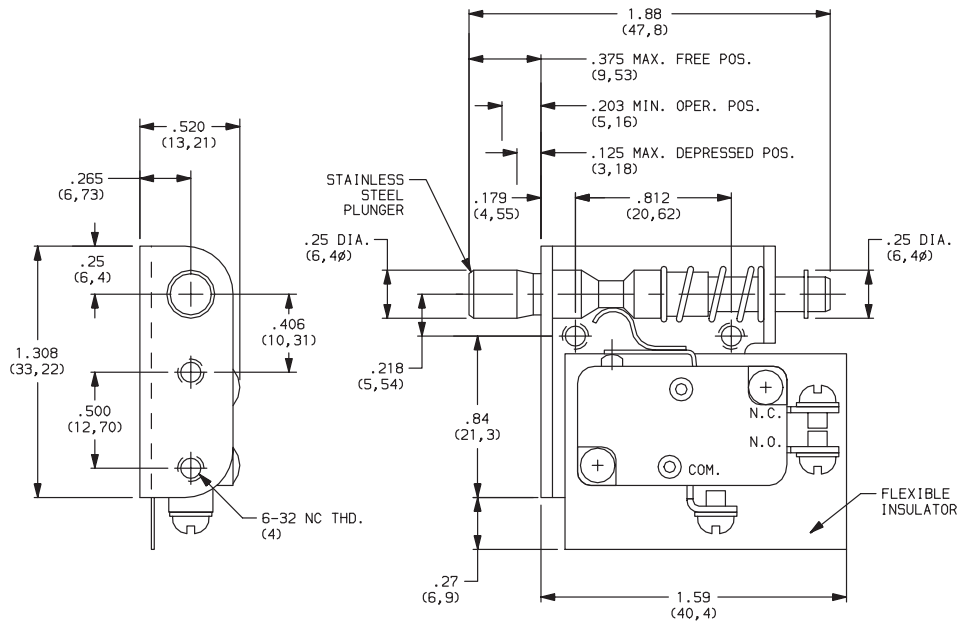
TL Series Door Interlock Switches

MODEL

11TL WITH SMALL BRACKET



11TL602
SPDT



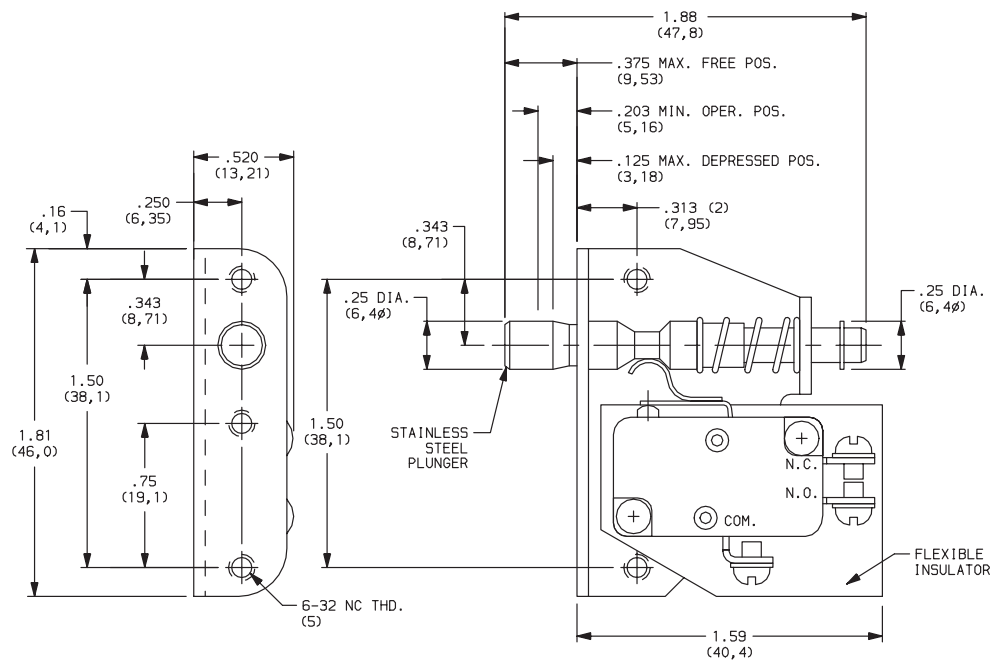
Snap-acting

K

12TL WITH LARGE BRACKET



12TL602
SPDT



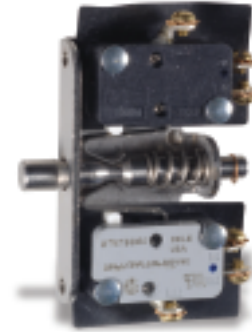
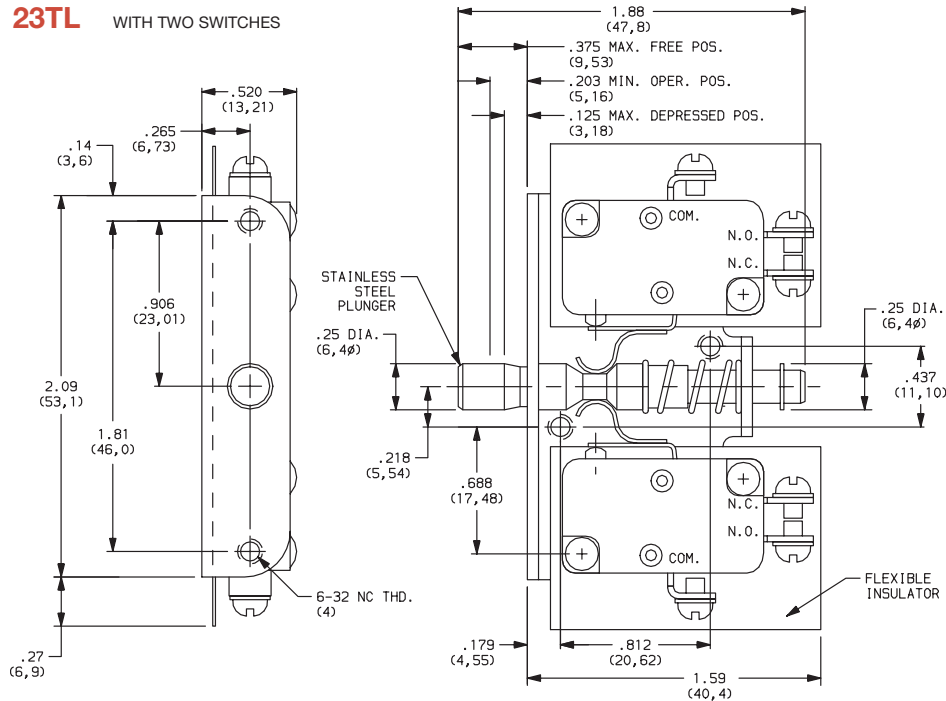
Dimensions are shown: Inch (mm)
Specifications and dimensions subject to change



TL Series Door Interlock Switches

MODEL

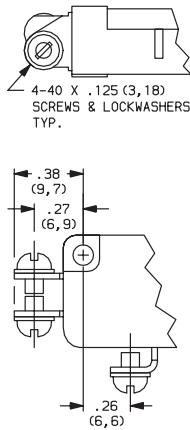
23TL WITH TWO SWITCHES



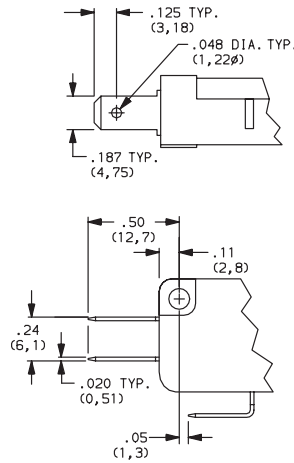
23TL602
SPDT

TERMINATIONS

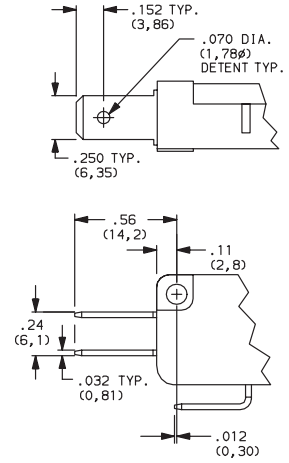
60 SCREW TERMINALS



40 .187" QUICK CONNECT



4A .250" QUICK CONNECT



PLUNGERS

2 STAINLESS STEEL, NOT TAPPED

4 STAINLESS STEEL, TAPPED 4-40 x .375 (9,52) min. depth



Snap-acting



Third Angle Projection
Dimensions are shown: Inch (mm)
Specifications and dimensions subject to change