

## RAFIX 22 FS selector switch, illuminated, round collar

### 1.30.252.202/2200

Other handle marking colours available on request.



#### General information

Actuator	handle
Form of collar	round
Marking of handle	translucent white
Colour of front ring	metallized

#### Dimensions

Overall height	22.24 mm
Width of collar	---
Diameter of collar	29.8 mm
Length of collar	---
Mounting depth	9.2 mm
Mounting hole	22.3 mm
Key grid	30 x 30 mm

#### Mechanical characteristics

Torque max.	1.5 Nm
-------------	--------

#### Mechanical design

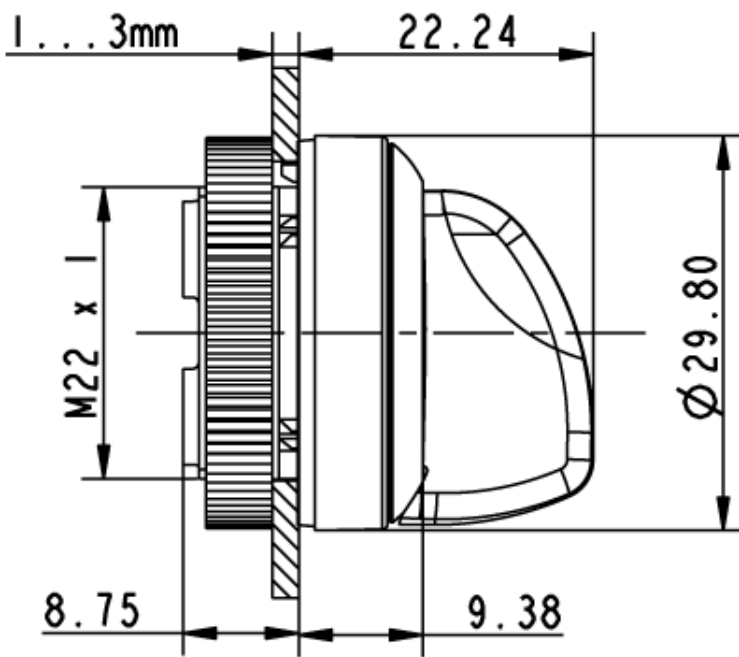
Mounting	ring nut
Illuminability	yes
Rotating angle	1 x 90°, form V
Contact function	latching

#### Other specifications

Ambient temp. operating max.	+70 °C
Ambient temp. operating min.	-25 °C
Resistance to constant environment	IEC 600 68-2-3 and 2-30
Storage temperature max.	+80 °C
Storage temperature min.	-40 °C
Operating life	0.5 million momentary /0.5 million latching
Salt spray	IEC 600 68-2-11
Degree of protection from front side	IP65
Resistance at variable environment	IEC 600 68-2-14 and 2-33

16.07.2008

MASS



Schaltw

