

RAFIX 22 FS pushbutton, non-illuminated, flush lens, round collar, metal front ring, momentary
1.30.250.121/0300


General information

Colour of lens	opaque red
Form of lens	flat lens
Form of collar	round
Colour of front ring	metallized

Dimensions

Overall height	9.85 mm
Width of collar	---
Diameter of collar	29.8 mm
Length of collar	---
Mounting depth	9.2 mm
Mounting hole	22.3 mm
Key grid	30 x 30 mm

Mechanical characteristics

Robustness min.	100 N
Operating travel	4 mm

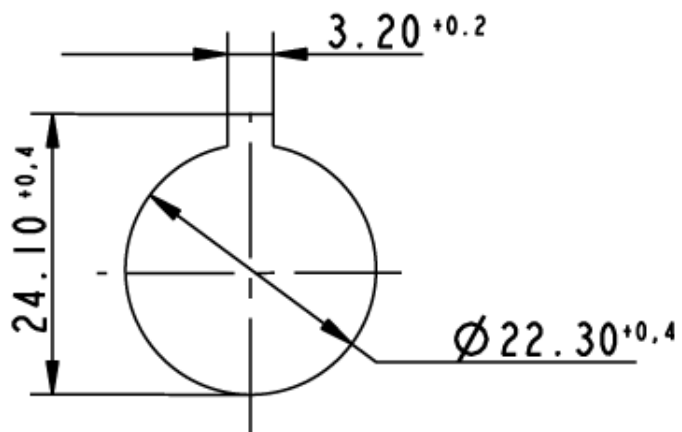
Mechanical design

Mounting	ring nut
Illuminability	no
Contact function	momentary

Other specifications

Ambient temp. operating max.	+70 °C
Ambient temp. operating min.	-25 °C
Resistance to constant environment	IEC 600 68-2-3 and 2-30
Storage temperature max.	+80 °C
Storage temperature min.	-40 °C
Operating life	1 million momentary/0.5 million latching
Salt spray	IEC 600 68-2-11
Degree of protection from front side	IP65
Resistance at variable environment	IEC 600 68-2-14 and 2-33

Frontpanel cut-out



MASS

