

RAFIX 22 QR mushroom-headed pushbutton 40 mm, round collar, momentary
1.30.246.502/0300


General information

Actuator	mushroom
Form of collar	round
Colour of front ring	metal
Colour of mushroom	opaque red

Dimensions

Overall height	20.10 mm
Width of collar	---
Diameter of collar	29.8 mm
Length of collar	---
Mounting depth	56.4 mm
Mounting hole	22.3 mm
Key grid	50 x 30 mm

Electrical characteristics

Protection class	II
------------------	----

Mechanical characteristics

Robustness min.	100 N
Operating force max.	approx. 5 N for 1 switching element

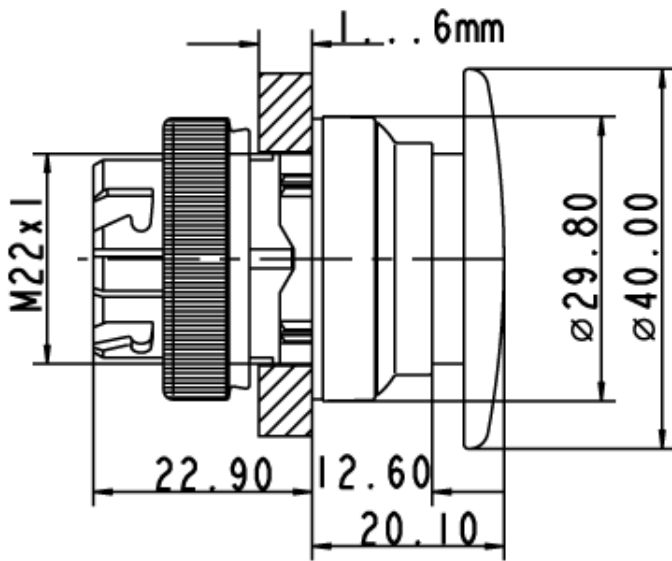
Mechanical design

Mounting	ring nut
Illuminability	no
Contact function	momentary

Other specifications

Resistance to constant environment	according to IEC 600 68-2-3 and 2-30
Storage temperature max.	+80 °C
Storage temperature min.	-40 °C
Operating life	1000000
Degree of protection from front side	IP65
Resistance at variable environment	according to IEC 600 68-2-14 and 2-33

MASS



Frontpanel cut-out

