

RAFIX 22 QR keylock switch, round collar

1.30.245.222/0000

Included: Ring nut with claw.



General information

Form of lens	---
Form of collar	round
Colout of front ring	metallized

Dimensions

Overall height	30.6 mm
Width of collar	---
Diameter of collar	29.8 mm
Length of collar	---
Mounting depth with contact block without cable	56.4 mm
Mounting hole	22.3 mm
Key grid	50 x 30 mm

Electrical characteristics

Protection class	II
------------------	----

Mechanical characteristics

Operating force max.	approx. 5 N for 1 switching element
Torque max.	2 Nm

Mechanical design

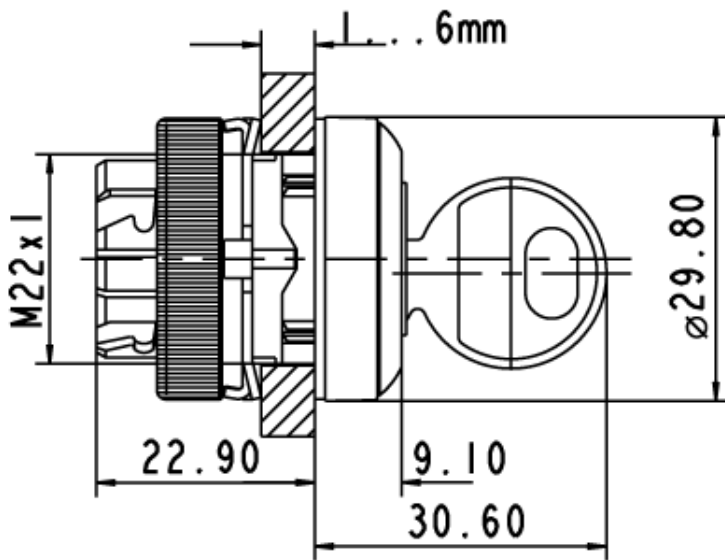
Key removal position	0+1
Mounting	ring nut
Illuminability	no
Rotating angle	1 x 90°, form L
Main key	no
Contact function	latching
Lock type	455
Lock	Ronis
Symmetric key	no
Wafers	4

Other specifications

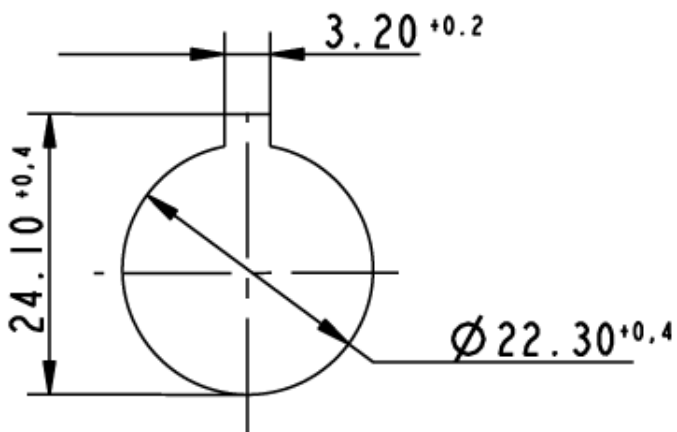
Ambient temp. operating max.	+70 ° C
Ambient temp. operating min.	-25 ° C
Resistance to constant environment	according to IEC 600 68-2-3 and 2-30
Storage temperature max.	+80 ° C
Storage temperature min.	-40 ° C
Operating life	0.3 million momentary / 50000 latching
Degree of protection from front side	IP65
Resistance at variable environment	according to IEC 600 68-2-14 and 2-33

16.07.2008

MASS



Frontpanel cut-out



Schaltw

