

## RAFIX 22 QR emergency stop pushbutton, dupe-proof to EN 418

**1.30.243.501/0300**

Included: Ring nut with claw.



Switching position indication: In the non-operated condition, a green ring is visible on the side.

### General information

Actuator	mushroom
Form of collar	round
Colour of mushroom	opaque red

### Dimensions

Overall height	---
Diameter of collar	---
Mounting depth with contact block without cable	---
Mounting hole	---
Key grid	50 x 30 mm

### Mechanical characteristics

Robustness min.	100 N
Operating force max.	approx. 5 N for 1 switching element
Robustness	acc. IEC 60947-5-5

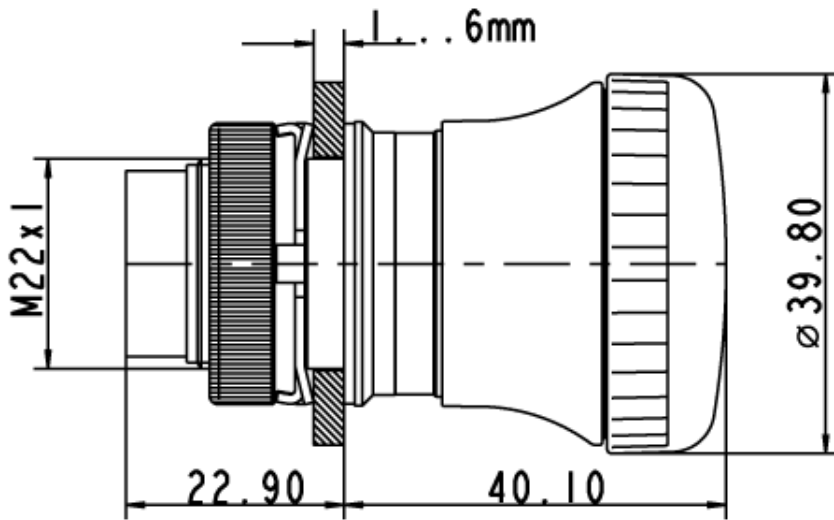
### Mechanical design

Mounting	ring nut
Illuminability	no
Reset	by clockwise rotation
Contact function	latching

### Other specifications

Ambient temp. operating max.	+70 °C
Ambient temp. operating min.	-25 °C
Resistance to constant environment	according to IEC 600 68-2-3 and 2-30
Storage temperature max.	+80 °C
Storage temperature min.	-40 °C
Operating life	100000
Degree of protection from front side	IP65
Resistance at variable environment	according to IEC 600 68-2-14 and 2-33

MASS



Frontpanel cut-out

