

**RAFIX 22 QR selector switch, illuminated, round collar, short handle**
**1.30.242.002/2200**

Included: Ring nut with claw.



Other handle marking colours available on request.

**General information**

Actuator	handle short
Form of collar	round
Marking of handle	white
Colout of front ring	metallized

**Dimensions**

Overall height	22.2 mm
Width of collar	---
Diameter of collar	29.8 mm
Length of collar	---
Mounting depth with contact block without cable	56.4 mm
Mounting hole	22.3 mm
Key grid	50 x 30 mm

**Electrical characteristics**

Protection class	II
------------------	----

**Mechanical characteristics**

Operating force max.	approx. 5 N for 1 switching element
Torque max.	2 Nm

**Mechanical design**

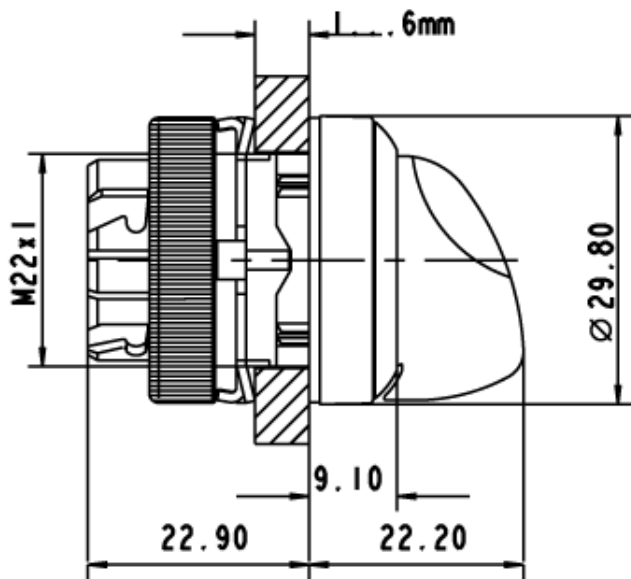
Mounting	ring nut
Illuminability	yes
Rotating angle	1 x 40°
Contact function	momentary

**Other specifications**

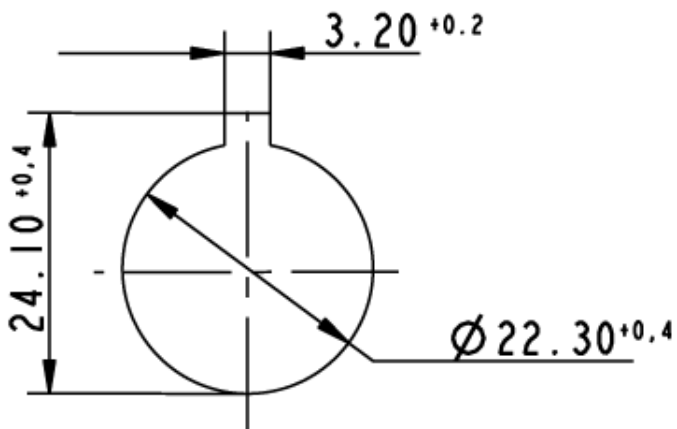
Ambient temp. operating max.	+70 °C
Ambient temp. operating min.	-25 °C
Resistance to constant environment	according to IEC 600 68-2-3 and 2-30
Storage temperature max.	+80 °C
Storage temperature min.	-40 °C
Operating life	0.5 million
Degree of protection from front side	IP65
Resistance at variable environment	according to IEC 600 68-2-14 and 2-33

16.07.2008

MASS



Frontpanel cut-out



Schaltw

