

RAFIX 22 QR pushbutton, illuminated, protruding lens, round collar, metal front ring, momentary
1.30.240.221/1300


General information

Colour of lens	transparent red
Form of lens	protruding lens
Form of collar	round
Colour of front ring	metallized

Dimensions

Overall height	12.45 mm
Width of collar	---
Diameter of collar	29.8 mm
Length of collar	---
Mounting depth with contact block without cable	56.4 mm
Mounting hole	22.3 mm
Key grid	50 x 30 mm

Mechanical characteristics

Robustness min.	100 N
Operating force max.	approx. 5 N for 1 switching element
Operating travel	4 mm

Mechanical design

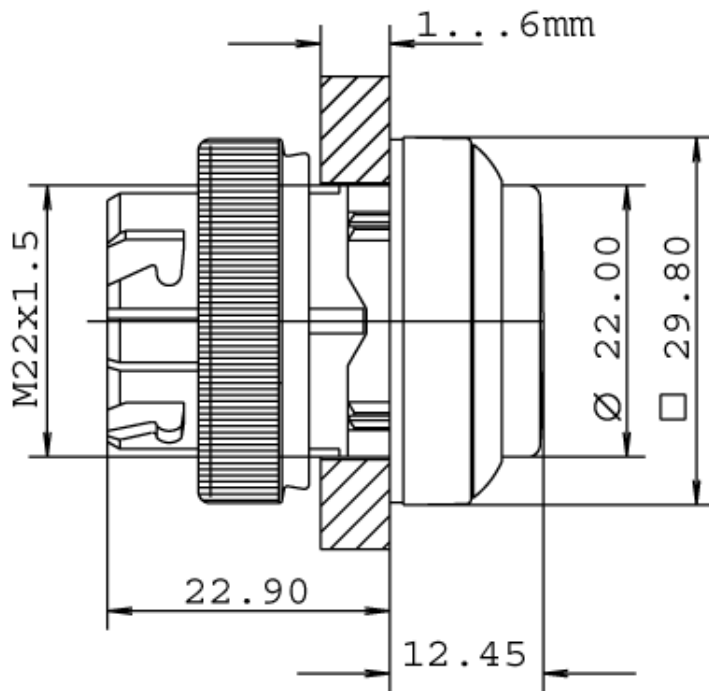
Mounting	ring nut
Illuminability	yes
Contact function	momentary

Other specifications

Ambient temp. operating max.	+70 °C
Ambient temp. operating min.	-25 °C
Resistance to constant environment	according to IEC 600 68-2-3 and 2-30
Storage temperature max.	+80 °C
Storage temperature min.	-40 °C
Operating life (operations)	1 million momentary/0.5 million latching
Degree of protection from front side	IP65
Resistance at variable environment	according to IEC 600 68-2-14 and 2-33

16.07.2008

PCB



Frontpanel cut-out

