

## RAFIX 16 emergency stop pushbutton, square collar, dupe-proof

**1.30.074.101/0301**

Only use universal contact blocks with momentary function.



The positively driven mechanical arrangement is dupe-proof to EN 418.

### General information

Actuator	mushroom
Form of collar	square
Colour of mushroom	opaque red

### Dimensions

Overall height	24.6 mm
Width of collar	25 mm
Diameter of collar	---
Length of collar	25 mm
Mounting depth	44.7 mm
Mounting hole	16.2 mm
Key grid	25 x 25 mm

### Mechanical characteristics

Robustness min.	100 N
Robustness	acc. IEC 60947-5-5

### Mechanical design

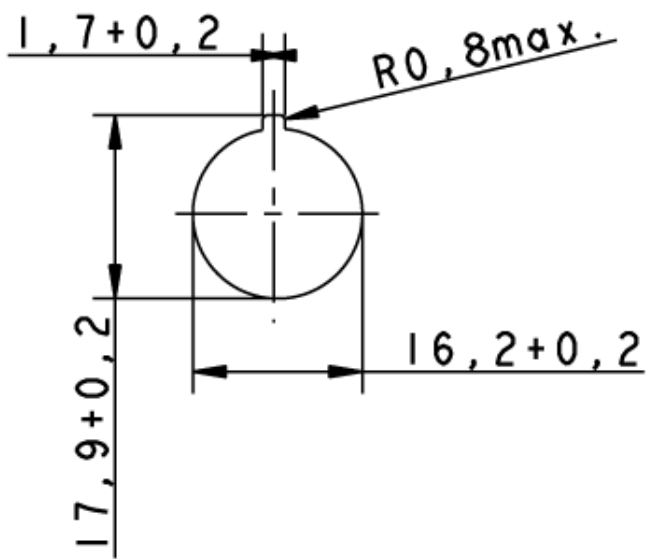
Mounting	ring nut
Illuminability	no
Contact arrangement	according to contact block
Contact function	latching

### Other specifications

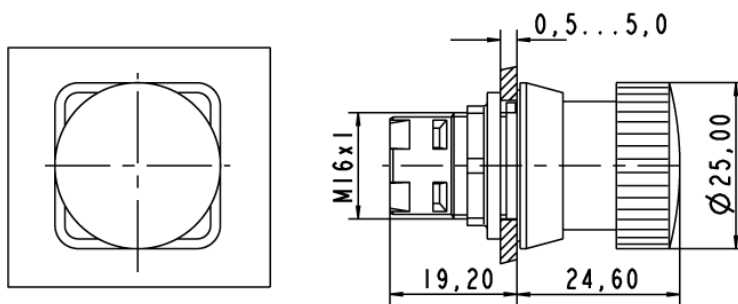
Approvals	IEC 60204, IEC 73
Ambient temp. operating min.	-25 °C
Ambient temp. operating with lamp max.	+55 °C
Ambient temp. operating without lamp max.	+70 °C
Corresponding to CE Ma-Dir. 89/392	yes
Resistance to constant environment	according to IEC 600 68-2-3 and 2-30
Storage temperature max.	+85 °C
Storage temperature min.	-40 °C
Operating life	30000
Degree of protection from front side	IP65
Resistance at variable environment	according to IEC 600 68-2-14 and 2-33

16.07.2008

Frontpanel cut-out



MASS



System drawing 1

