

**RAFIX 16 pushbutton, non-illuminated, flush lens, square collar, alignable without gaps**
**1.30.070.451/0500**

Legending available on request.


**General information**

|                |                  |
|----------------|------------------|
| Form of lens   | flat lens        |
| Colour of lens | opaque green     |
| Form of collar | square alignable |

**Dimensions**

|                    |            |
|--------------------|------------|
| Overall height     | 7,15 mm    |
| Width of collar    | 24.95 mm   |
| Diameter of collar | ---        |
| Length of collar   | 24.95 mm   |
| Mounting depth     | 44.7 mm    |
| Mounting hole      | 16.2 mm    |
| Key grid           | 25 x 25 mm |

**Mechanical characteristics**

|                  |       |
|------------------|-------|
| Robustness min.  | 100 N |
| Operating travel | 3 mm  |

**Mechanical design**

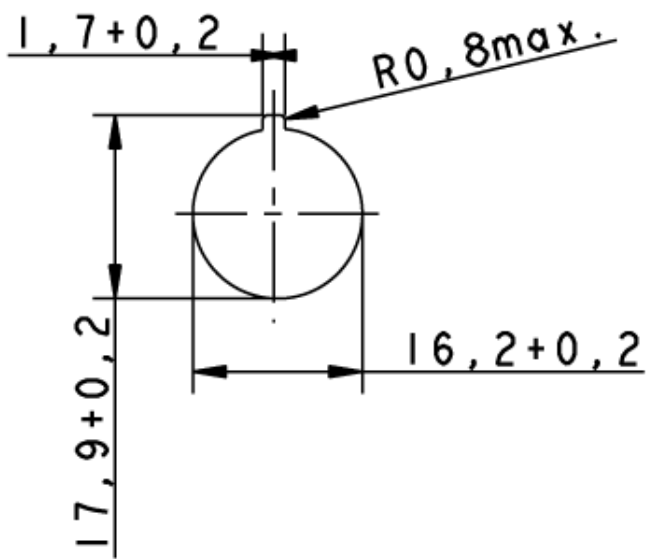
|                     |                            |
|---------------------|----------------------------|
| Mounting            | ring nut                   |
| Illuminability      | no                         |
| Contact arrangement | according to contact block |
| Contact function    | according to contact block |

**Other specifications**

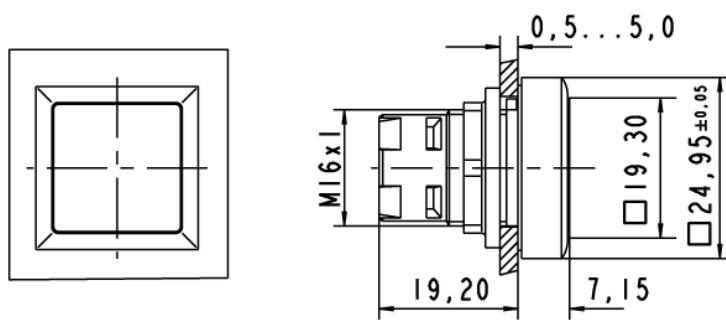
|   |                                       |
|---|---------------------------------------|
| Ambient temp. operating min.              | -25 °C                                |
| Ambient temp. operating with lamp max.    | +55 °C                                |
| Ambient temp. operating without lamp max. | +70 °C                                |
| Resistance to constant environment        | according to IEC 600 68-2-3 and 2-30  |
| Storage temperature max.                  | +85 °C                                |
| Storage temperature min.                  | -40 °C                                |
| Operating life                            | 2000000                               |
| Degree of protection from front side      | IP65                                  |
| Resistance at variable environment        | according to IEC 600 68-2-14 and 2-33 |

16.07.2008

Frontpanel cut-out



MASS



System drawing 1

