

RAFIX 16 pushbutton, non-illuminated, flush lens, square collar, alignable without gaps
1.30.070.451/0200

Legending available on request.



General information

Form of lens	flat lens
Colour of lens	opaque white
Form of collar	square alignable

Dimensions

Overall height	7,15 mm
Width of collar	24.95 mm
Diameter of collar	---
Length of collar	24.95 mm
Mounting depth	44.7 mm
Mounting hole	16.2 mm
Key grid	25 x 25 mm

Mechanical characteristics

Robustness min.	100 N
Operating travel	3 mm

Mechanical design

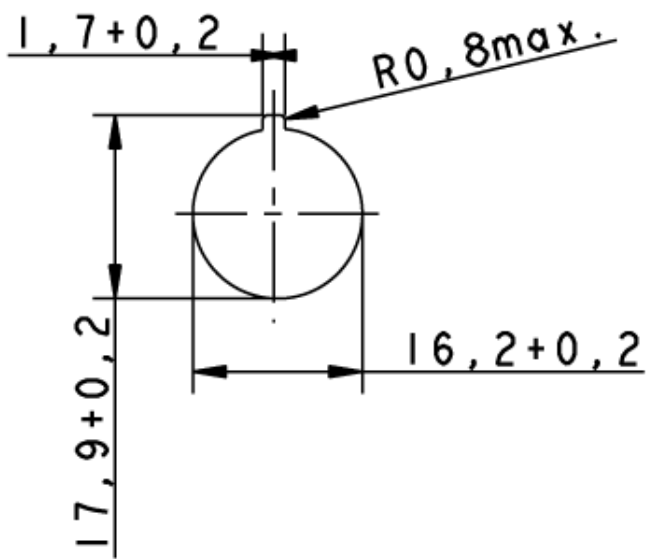
Mounting	ring nut
Illuminability	no
Contact arrangement	according to contact block
Contact function	according to contact block

Other specifications

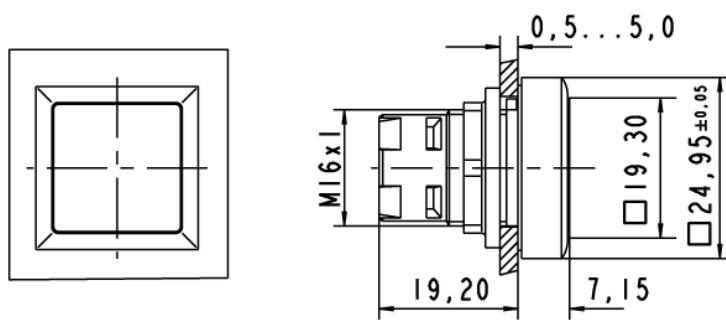
Ambient temp. operating min.	-25 °C
Ambient temp. operating with lamp max.	+55 °C
Ambient temp. operating without lamp max.	+70 °C
Resistance to constant environment	according to IEC 600 68-2-3 and 2-30
Storage temperature max.	+85 °C
Storage temperature min.	-40 °C
Operating life	2000000
Degree of protection from front side	IP65
Resistance at variable environment	according to IEC 600 68-2-14 and 2-33

16.07.2008

Frontpanel cut-out



MASS



System drawing 1

