

**RAFIX 16 pushbutton, illuminated, protruding collar, square collar**
**1.30.070.101/1505**

**General information**

Form of lens	protruding collar
Colour of lens	transparent green
Form of collar	square

**Dimensions**

Overall height	10.9 mm
Width of collar	25 mm
Diameter of collar	---
Length of collar	25 mm
Mounting depth	44.7 mm
Mounting hole	16.2 mm
Key grid	25 x 25 mm

**Mechanical characteristics**

Robustness min.	100 N
-----------------	-------

**Mechanical design**

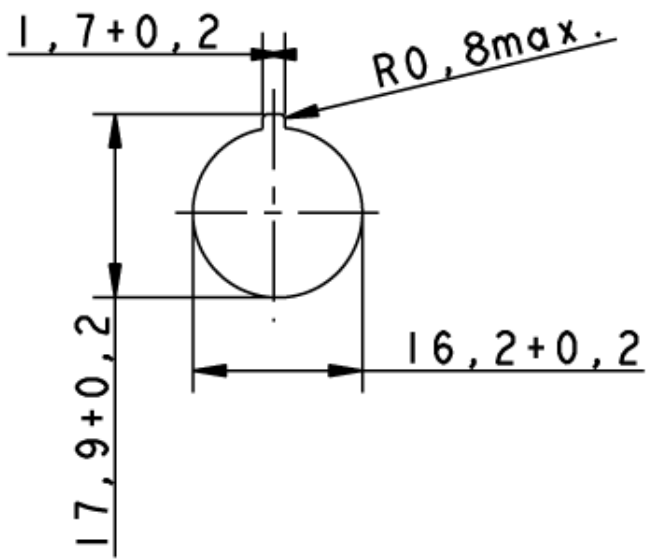
Mounting	ring nut
Illuminability	yes
Contact arrangement	according to contact block
Contact function	according to contact block

**Other specifications**

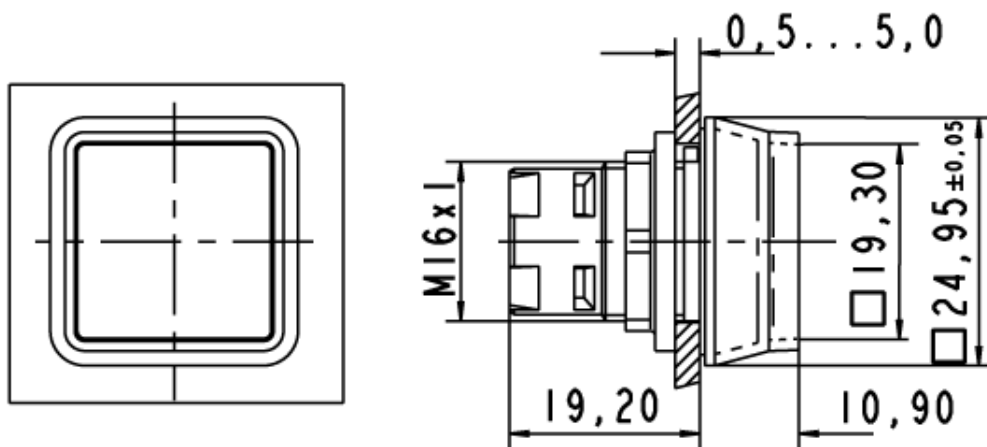
Ambient temp. operating min.	-25 °C
Ambient temp. operating with lamp max.	+55 °C
Ambient temp. operating without lamp max.	+70 °C
Resistance to constant environment	according to IEC 600 68-2-3 and 2-30
Storage temperature max.	+85 °C
Storage temperature min.	-40 °C
Operating life	2000000 momentary/100000 latching
Degree of protection from front side	IP65
Resistance at variable environment	according to IEC 600 68-2-14 and 2-33

16.07.2008

Frontpanel cut-out



MASS



System drawing 1

