

**RAFIX 22 FS emergency stop contact block, 1 NC, gold contacts**
**1.20.126.401/0000**

Caution: Only for emergency stop functions.


**General information**

Lamp	LED
------	-----

**Dimensions**

Diameter	17.3 mm
Mounting depth	9.2 mm
Recommended key grid	30 mm

**Electrice characteristics acc. to IEC 60947, AC-15, DC-13**

Operating voltage AC/DC	42 V
Operating current AC/DC	100 mA

**Mechanical design**

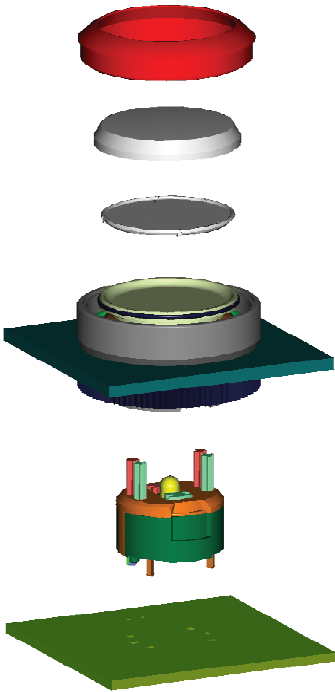
Robustness	100 N
Terminals	solder terminal with locating lug
Mounting	soldering in PCB
Contact arrangement	1 NC
Contact system	bridge-contact self cleaning
Contact materials	Au
NC contact forcibly actuated acc. to IEC 60947-5-1	yes

**Other specifications**

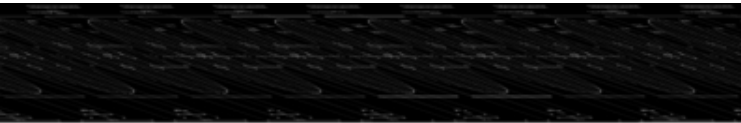
Approvals acc. to IEC	60947-5-x, 60204, 60073, 601058
Approvals, other	pendin: UL 508, CSA, cURus (UL + CSA)
Ambient temp. operating max.	+70 °C
Ambient temp. operating min.	-25 °C
Switching reliability at 24V/5mA DC	10 x 10 <sup>-6</sup>
Colour of housing	grey
Resistance to constant environment	IEC 600 68-2-3 and 2-30
Storage temperature max.	+80
Storage temperature min.	-40 °C
Operating life	1 million at 10 mA/ 24 V DC
Solderability / solder heat resistance	IEC 600 68-2-20
Solder techniques	wave solder bath / manual soldering
Robustness	acc. to IEC 60947-5-5 (T0#1342V)
Shock resistance acc. to IEC 600 68-2-27	50 g at 11 ms, amplitude half sinusoidal
Colour of plunger	red
Type	emergency stop
Resistance to vibrations acc. to IEC 600 68-2-6	5 g at 10 ... 500 Hz
Resistance at variable environment	IEC 600 68-2-14 and 2-33

16.07.2008

System drawing 1



PCB



16.07.2008

MASS

