

## RAFIX 22 FS universal contact block, 1 NO

**1.20.126.002/0000**

Caution: Not suitable for emergency stop functions.



### General information

Lamp	LED
------	-----

### Dimensions

Diameter	17.3 mm
Mounting depth	9.2 mm
Recommended key grid	30 mm

### Electrice characteristics acc. to IEC 60947, AC-15, DC-13

Operating voltage AC/DC	42 V
Operating current AC/DC	100 mA
Rated power max.	250 mW

### Mechanical design

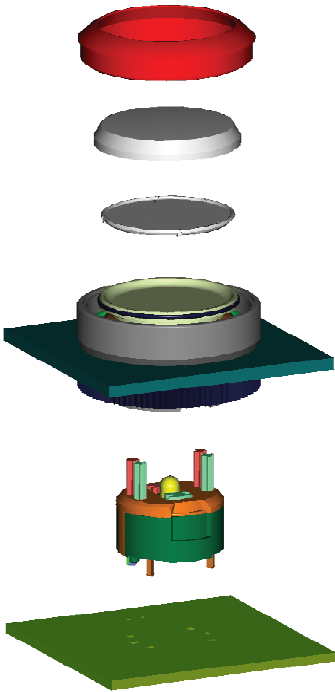
Robustness	100 N
Terminals	solder terminal with locating lug
Mounting	soldering in PCB
Contact arrangement	1 NO
Contact system	bridge-contact self cleaning
Contact materials	Au
NC contact forcibly actuated acc. to IEC 60947-5-1	yes

### Other specifications

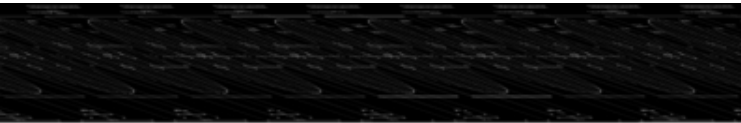
Approvals acc. to IEC	60947-5-x, 60204, 60073, 601058
Approvals, other	pendin: UL 508, CSA, cURus (UL + CSA)
Ambient temp. operating max.	+70 °C
Ambient temp. operating min.	-25 °C
Switching reliability at 24V/5mA DC	10 x 10 <sup>6</sup>
Colour of housing	grey
Resistance to constant environment	IEC 600 68-2-3 and 2-30
Storage temperature max.	+80
Storage temperature min.	-40 °C
Operating life	1 million at 10 mA/ 24 V DC
Solderability / solder heat resistance	IEC 600 68-2-20
Solder techniques	wave solder bath / manual soldering
Robustness	acc. to IEC 60947-5-5 (T0\#1342V)
Shock resistance acc. to IEC 600 68-2-27	50 g at 11 ms, amplitude half sinusoidal
Colour of plunger	green
Type	Universal
Resistance to vibrations acc. to IEC 600 68-2-6	5 g at 10 ... 500 Hz
Resistance at variable environment	IEC 600 68-2-14 and 2-33

16.07.2008

System drawing 1



PCB



16.07.2008

MASS

