

Pushbutton, opaque, mounting hole diameter 15.2 mm, quick-connect terminals, 1 NO, black
1.10.001.011/0104

General information

Colour of lens	opaque black
Form of lens	protruding lens
Form of collar	round

Dimensions

Overall height	8.2 mm
Diameter of collar	19 mm
Mounting depth	21.5 mm
Mounting hole	15.2 mm

Electrical characteristics

Contact resistance acc. to life max.	300 mΩ
Contact resistance when new max.	50 mΩ
Rated voltage AC max.	250 V
Rated current max.	0.7 A

Mechanical characteristics

Robustness min.	100 N
Operating force max.	7.5 N
Operating travel	3 mm
Switching travel NO	2.0 mm
Switching travel NC	---

Mechanical design

Terminals	solder/quick connector 6.3x0.8 / 2x 2.8x0.8mm
Mounting	ring nut
Illuminability	no
Contact arrangement	1 NO
Contact function	momentary
Contact system	bridge contact
Contact materials	Ag
Lamp socket	no

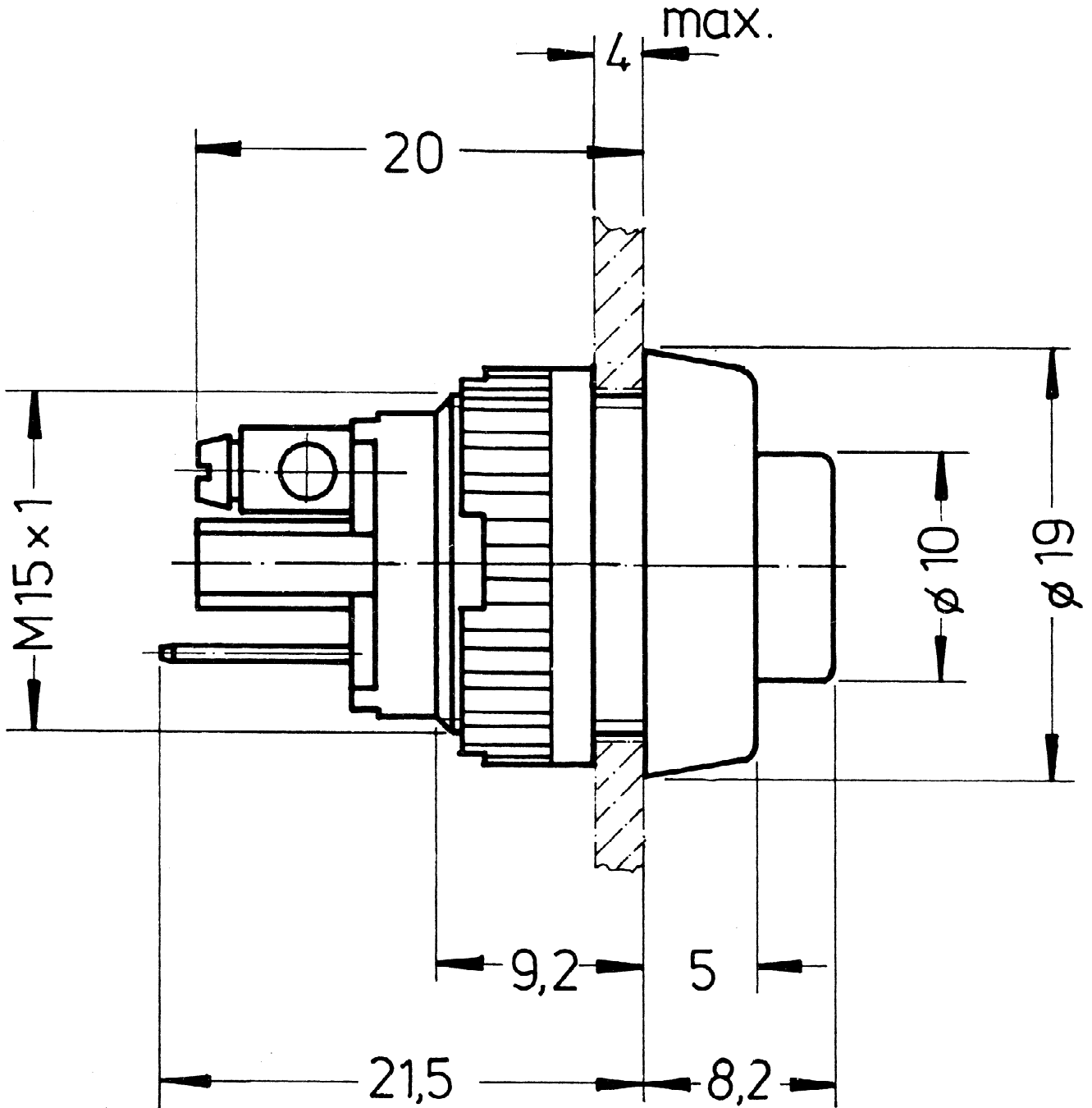
Other specifications

Approvals	ENEC T 85/55
Ambient temp. operating max.	+85 °C
Ambient temp. operating min.	-25 °C
Flame class acc. to UL 94	V 0
Weight	7 g
Hot wire ignition acc. to IEC 60695-2-1	yes
Resistance to constant environment	according to IEC 600 68-2-3 and 2-30
Storage temperature max.	+90 °C
Storage temperature min.	-40 °C

16.07.2008

Operating life	25000
Degree of protection from front side	IP40 (IP65 with sealing cap)
Resistance at variable environment	according to IEC 600 68-2-14 and 2-33

MASS



Frontpanel cut-out

